

Location:



SYMMONS® Symmetrix™

Lavatory Faucet SLS-2012 Series

Specification Submittal






Model Numbers

- SLS-2012 Lavatory Faucet with lift rod & pop-up drain assy.
- SLS-2011 Lavatory Faucet with lift rod only
- SLS-2010 Lavatory Faucet

Options / Modifications

Append appropriate -suffix to model number.


-  -1.5 1.5 (5.7 L/min) flow rate restrictor
-  -1.0 1.0 (3.8 L/min) flow rate restrictor
-  -0.5 0.5 (1.9 L/min) flow rate restrictor
- IPS 1/2 inch IPS supply inlet adapters
- DP4 4 inch deck plate
(typically used for covering extra holes from prior 3-hole installations)

Finish Options / Modifications

Append appropriate -suffix to model number.

- Polished chrome (standard finish)

Feature Highlights

- Single lavatory faucet with ceramic control components
- Single swivel lever handle with red & blue hot/cold indicators and limit stop
- Single hole deck mounting
- 4 inch deck plate (optional)
- Braided supply hoses, 20 inches, 3/8 inch female threaded compression connectors
- Pop-up drain and lift rod assembly (model SLS-2012)
- Aerator with standard 2.2 gpm flow rate (8.3 L/min)
Optional aerator available in lower flow rates 
- Metal construction
- Polished chrome finish (standard)

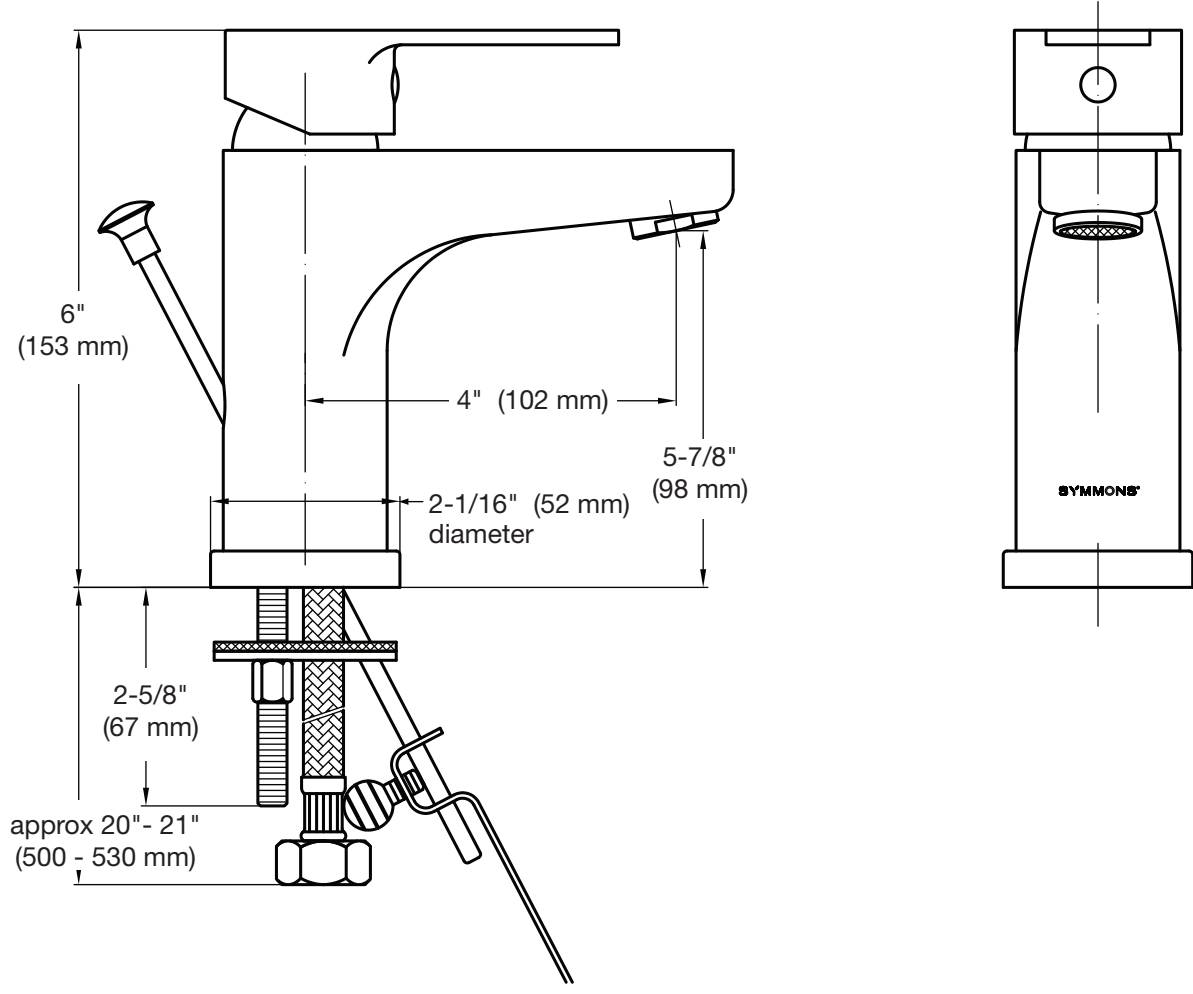
Standards / Certifications

ASME A112.18.1-2005/CSA B125.1-05

Warranty

- Limited Lifetime - to the original end purchaser in consumer installations.
- 5 years - for commercial installations

Dimensions *Symmetrix Lavatory Faucets, SLS-2010, SLS-2011, SLS-2012 Series*



Note: Dimensions subject to change without notice.

Symmons Industries, Inc. ■ 31 Brooks Drive ■ Braintree, MA 02184
(800) 796-6667, (781) 848-2250 ■ Fax (800) 961-9621, (781) 664-1300
Website: www.symmons.com ■ Email: customerservice@symmons.com

©2010 Symmons Industries, Inc. Printed in U.S.A. ■ 050310

