



SYMMONS® Carrington™

Widespread Lavatory Faucet SLW-4412 Installation and Service Instructions



Caution: Be sure to turn off hot and cold water supplies before installing or servicing faucet.

Installation Procedure

1. Push valve bodies through holes in sink from underneath. Make sure mounting nuts (RT-103N) are on underside of sink. Valve marked Hot is on the left and Cold is on the right. Put gasket (LN-129) over valve body. Thread escutcheon (LN-128) onto valve bodies. The top of the valve spindle should measure 1-7/8" from mounting surface (See rough in drawing).
2. Thread collar (LN-112) on to valve body until it reaches the escutcheon (LN-128). Tighten mounting nuts from underneath sink.
3. CRP handle installation: Place lever part of handle on valve spindle and thread screw (LN-121A) into valve.
4. Install spout (LN-254A) and centerbody (LN-188) through center in sink hole from above sink. Secure spout to sink with washer (LN-138A) and nut (SPF-26). Washer (LN-138A) flat should face back of the sink. Thread tee (LN-189) to bottom of centerbody (LN-188).
5. Thread flex hoses (LN-157) into tee (LN-189) using pipe dope or teflon tape on the pipe threads. Thread other end on to valve bodies.
6. Connect hot supply to left tube and cold supply to right tube using appropriate connectors.
7. Pop-up drain installation:
 - a) Remove pop-up plug, tail piece and flange from the drain body. Make sure that locknut is threaded all the way down onto the body with flat friction washer in middle and beveled washer on top.
 - b) Apply plumbers putty or sealant to bottom of flange.
 - c) Install drain body through drain opening in lavatory and screw flange onto the drain body making sure that the threads are completely engaged for proper sealing and strength of the connection. Apply joint compound to all threaded parts to insure proper seal.
 - d) Tighten locknut to compress the beveled flange evenly across the bottom of the drain opening taking care not to over tighten the locknut, causing damage to the lavatory. Apply teflon tape (clockwise) on tail piece and thread into outlet of body.

- e) Insert pop-up plug and pivot rod into body and tighten retaining nut until the ball is seated on the ball washer.

Note: The pop-up plug can be installed either in the removable or non-removable position, depending on the location of the hole located in the guide at the bottom of the plug.

- f) Slide the pivot rod through one side of the spring clip, then the appropriate adjustment hole and then other side of the spring clip.
- g) Insert lift rod through faucet housing and the top of the lift strap and secure it in place by tightening the screw.

Note: To insure proper operation of lift rod and pop-up, some adjustment of the linkage may be required.

There are two possible adjustment points:

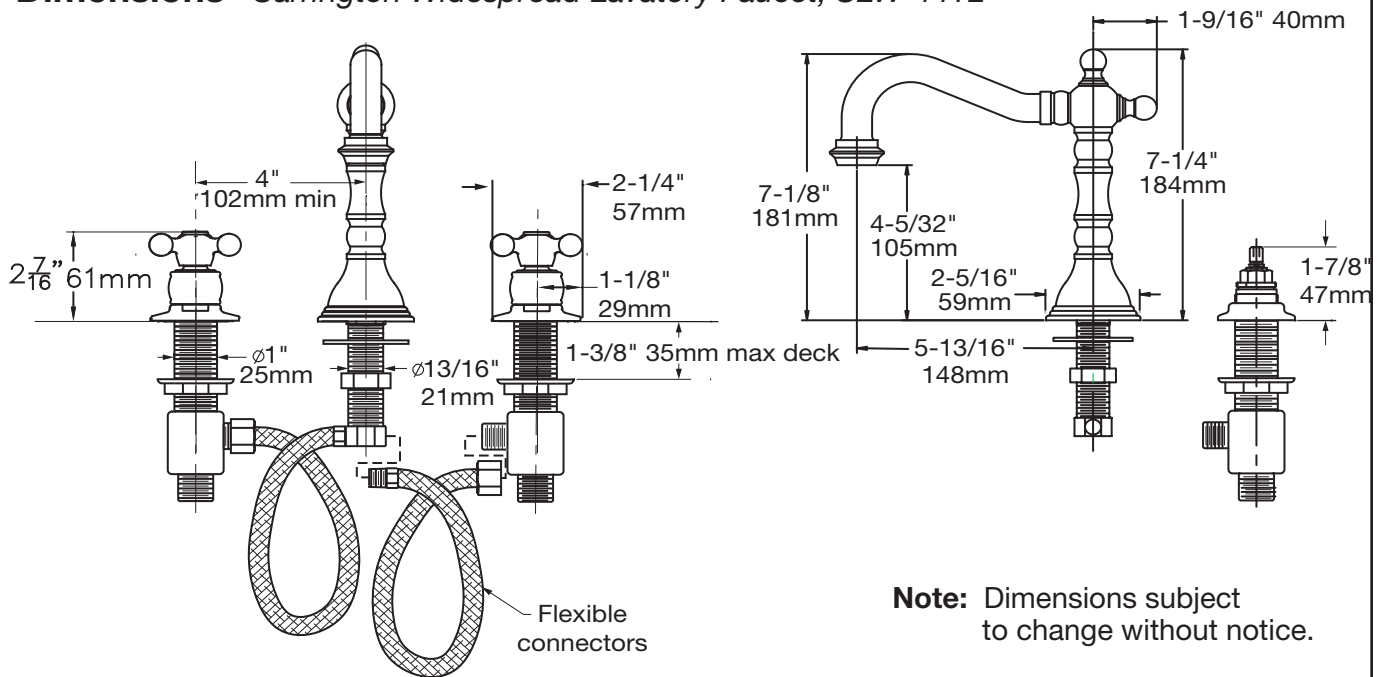
- 1) lift strap to lift rod
- 2) lift strap to pivot rod.

8. It is very important to thoroughly flush the supply lines to prevent foreign matter, i.e. copper chips, sand, stones, etc. from damaging the sealing surfaces of cartridge. Remove aerator and open hot and cold to full open then open both supplies. Let water run through hot and cold long enough to flush supply lines thoroughly. Shut off faucet and replace aerator. Check for leaks.

Replacing cartridge (KN-113 or KN-114):

1. Remove plug button (LN-243H or LN-243C), loosen Philip head screw (LN-121A) and remove handle (LN-177).
2. Remove collar (LN-112) by turning counter clockwise. Caution: Do not use wrench as this may damage the surface finish.
3. Place wrench on cartridge hex nut (KN-113, KN-114). Turn wrench counter clockwise until cartridge is removed.
4. Install new cartridge. Turn cartridge with wrench until cartridge does not turn easily then turn 1/4 to 1/2 turn further. Reassemble handle in reverse fashion.

Dimensions Carrington Widespread Lavatory Faucet, SLW-4412



Parts Assembly Carrington Widespread Lavatory Faucet, SLW-4412

KN-113	Valve cartridge, cold
KN-114	Valve cartridge, hot
L-26	O-ring (2) (plug button)
L-42	Nut (2)
LN-112*	Collar (2)
LN-121A	Handle screw, M4x10, SS, panhead (2)
LN-128*	Escutcheon, widespread (2)
LN-129	Gasket, Escutcheon (2)
LN-138	Washer
LN-142	Valve body (2) hot & cold
LN-150	O-ring (2)
LN-157	Flex hose (2)
LN-177*	Cross handle (2)
LN-185	Gasket, spout
LN-188	Centerbody
LN-189	Centerbody tee
LN-243C	Plug button, porcelain (cold)
LN-243H	Plug button, porcelain (hot)
LN-254A*	Spout
P-108CL12*	Lift rod (for pop-up drain assembly)
RT-103N	Nut flanged (2)
SPF-26	Nut, Hex (centerbody)
WSF-CRP-KIT	Handle kit (qty 2 handles)

*For Decorative Finish Faucets add suffix to parts marked with an asterisk as follows:

Suffix -STN Radiance® satin finish

Aerator (flow regulator)	Part Number Standard Aerator
2.2 gpm (8.3L/min)	----
1.5 gpm (5.7L/min)	LN-741*
1.0 gpm (3.8L/min)	----

