



SYMMONS® Canterbury™

Widespread Lavatory Faucet SLW-4512



Installation and Service Instructions

Model Numbers

SLW-4512 Lavatory faucet with pop-up drain

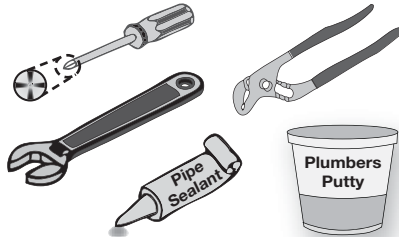
Alternate Finish Code

append to part numbers when applicable

-STN Satin Nickel

-- Chrome (standard)

Tools & Materials

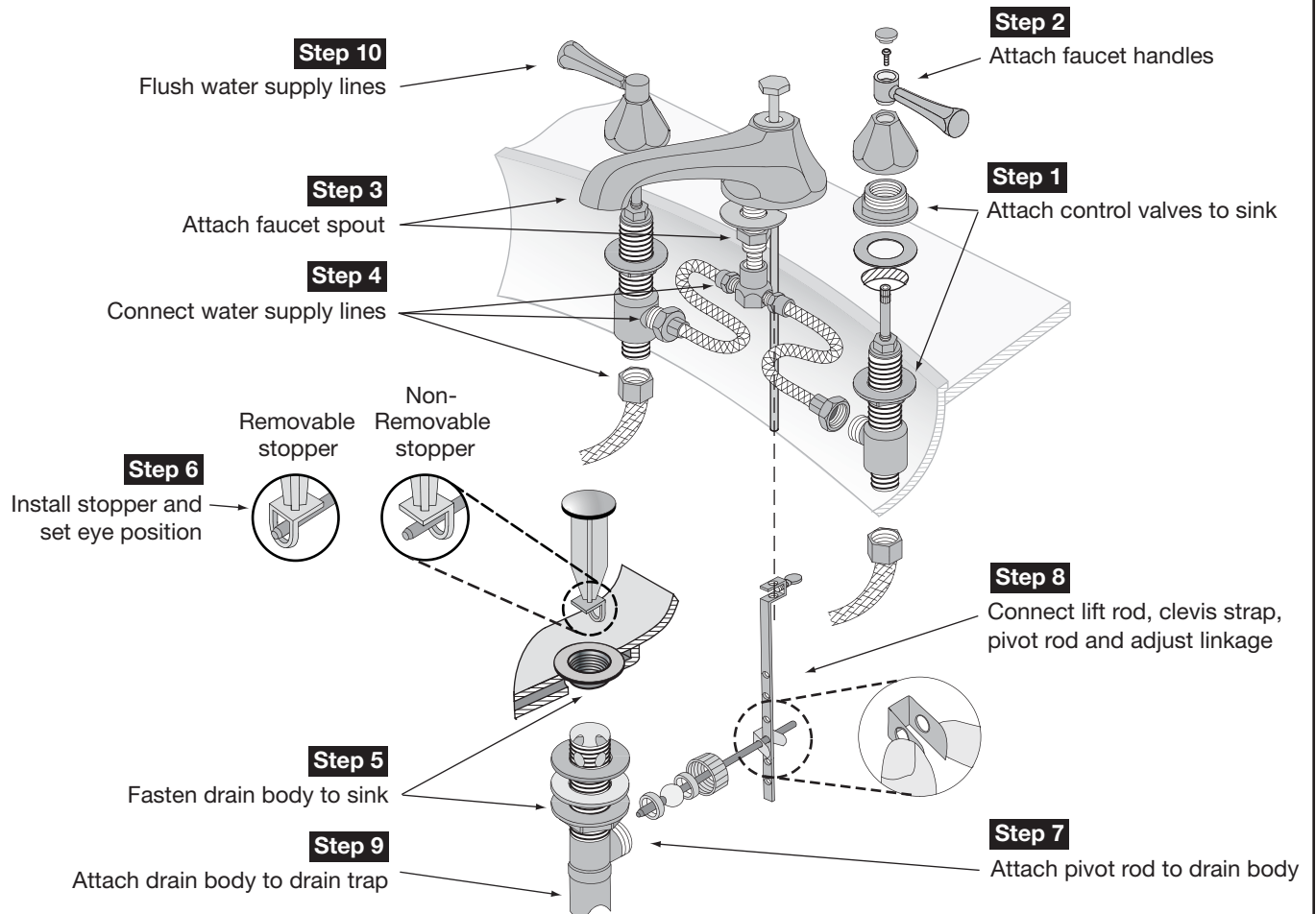


☎ Need Help?

Contact Symmons customer service at (800) 796-6667, (781) 848-2250
Email: customerservice@symmons.com
Monday - Friday 8:00 am - 7:30 pm EST

💻 Please check Symmons website for technical help, the latest product information and warranty policy.
www.symmons.com/service

Quick Install Guide *Canterbury Widespread Lavatory Faucet, SLW-4512*

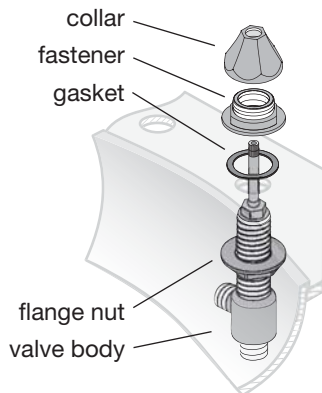


Installation Instructions

Caution: If replacing an older faucet ensure water supply is turned OFF before removing. Then open faucet valves to relieve water pressure.

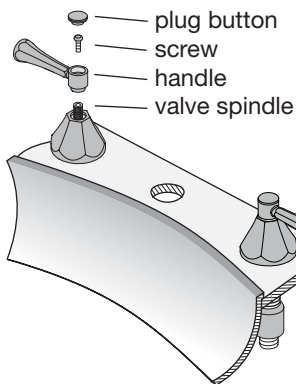
Step 1 Attach control valves to sink

- Thread flange nut down about 2 inches from threaded end of valve body. Ensure larger diameter end is facing up.
- Insert valve body from underneath sink up through mounting hole. Ensure valve with red label (hot) is on the left and blue label (cold) is on the right.
- Place *gasket* over *valve body* and then thread *fastener* onto *valve body* until stop is reached.
- Tighten *flange nut* under sink to secure *valve body*.
- Thread *collar* over outer threads of *fastener* until tightened against surface of the sink.



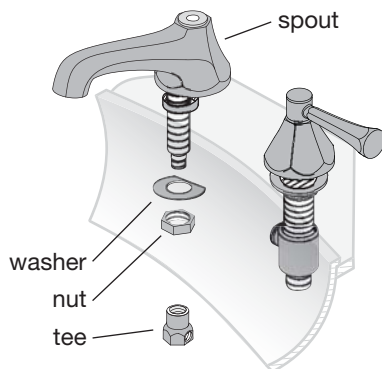
Step 2 Attach faucet handles

- Turn *valve spindles* to the OFF position.
HOT - left valve, clockwise
COLD - right valve, counter clockwise
- Attach *handle* to *valve spindle* in OFF location as shown.
- Fasten to spindle with Phillips head *screw* and insert *plug button*.



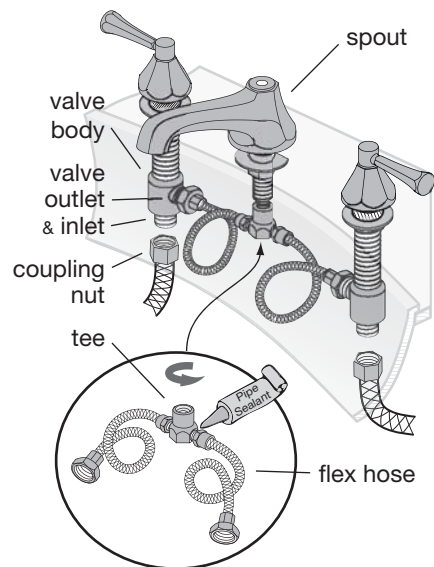
Step 3 Attach faucet spout to sink

- Unscrew *tee* and remove *washer* and *nut* from threaded end of *spout* as shipped.
- Insert end of *spout* down through mounting hole in sink and then fasten from under sink with *washer* and *nut*.
- Tighten *nut* while ensuring *spout* is centered over mounting hole and flat edge of *washer* is facing rear of sink.



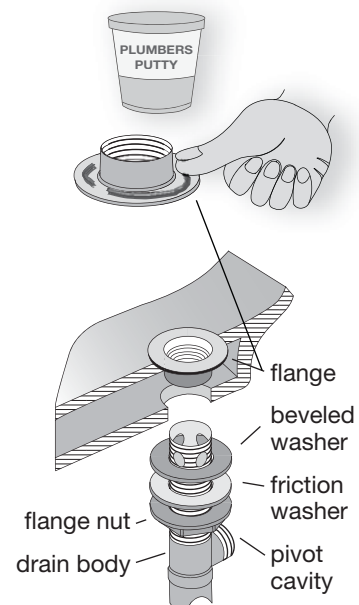
Step 4 Connect water supply lines

- Apply pipe sealant on male end of both flex hoses and thread into sides of tee.
- Thread center of *tee* with flex hoses attached onto end of spout.
Note: This may require about 4 inches of clearance to rotate.
- Attach loose end of flex hoses to *valve outlet* on *valve bodies*.
- Plumb hot water supply to left *valve inlet*, cold water to right inlet and fasten with *coupling nuts*.
- Check for leaks if only replacing faucet and drain is already installed by first turning faucet handles to the OFF position and then turn water supply valves ON.



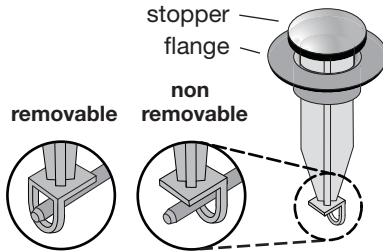
Step 5 Fasten drain body to sink

- Remove *stopper*, unscrew *flange* and remove flat rubber *washer* from end of *drain body* as shipped.
- Apply plumber's putty around bottom of *flange*.
Note: Washer included should only be used when plumber's putty is not available.
- Move *friction washer*, *beveled washer* and *flange nut* down away from threaded end of *drain body*.
- Place *flange* in drain opening and under sink screw *drain body* up into *flange* at least 2-3 turns until hand tight.
- Position *drain body* so *pivot cavity* is facing rear of sink and then slide *beveled washer* and *friction washer* up against sink.
- Tighten *flange nut* up against *friction washer* to evenly compress *beveled washer* while also ensuring *flange* is centered in drain opening.
Take care not to over tighten *flange nut*.



Step 6 Install stopper and set eye position

Stopper can be *removable* or *non-removable* determined by position of eye hole when inserting pivot rod.



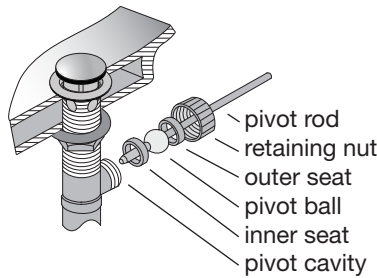
- Insert *stopper* through *flange* opening and position eye hole.

Removing stopper When installed in removable position, move pivot rod to the up position (lift rod is in the down position when later installed). Eye hole will slide over end of pivot rod.

Step 7 Attach pivot rod to drain body

- Remove *retaining nut* and *outer seat* from *pivot cavity*.

- Insert *pivot rod* into *pivot cavity* so ball is against *inner seat* and end of rod passes under stopper according to selected eye hole position.



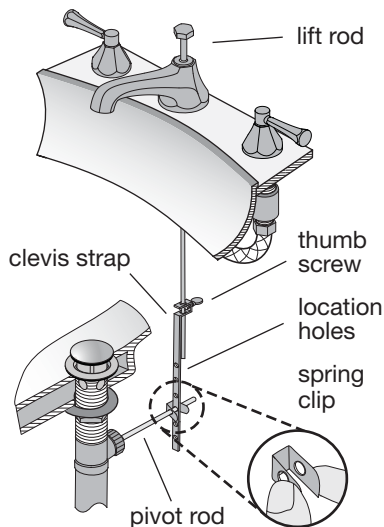
- Slide *outer seat* over *pivot rod* with curved end against *pivot ball*.
- Fasten *pivot rod* to *drain body* with *retaining nut*. Tighten using your fingers until ball is seated snug and *pivot rod* can move around freely.

Step 8 Connect lift rod and adjust linkage

- Insert *lift rod* through hole on top of water spout.

- Fasten end of *pivot rod* with *spring clip* through *location hole* in *clevis strap* that is best aligned to enable *lift rod* also fasten to end of *clevis strap* when in the up position and *stopper* is in the closed position.

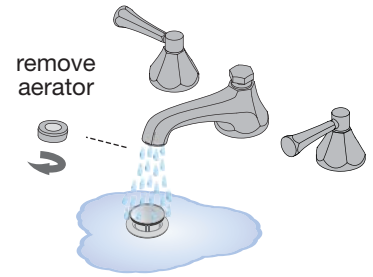
- Insert *lift rod* into end of *clevis strap* and fasten with *thumb screw* at location where *stopper* can be easily opened and closed. If necessary, select another *location hole* in *clevis strap* and re-adjust *lift rod* where fastened to *clevis strap*.



Step 9 Attach drain body to drain trap

Step 10 Flush water supply lines

Thoroughly flush supply lines to prevent foreign matter, i.e. copper chips, sand, etc. from damaging the sealing surface inside control valves.



- Remove aerator from end of faucet spout by rotating counter clockwise
- Turn hot and cold faucet handles to full ON position and then open water supply valves to flush supply lines thoroughly.
- Turn faucet OFF, replace aerator and check for any leaks.

Care of faucet finish

Clean finish area by using mild soap and water or non-abrasive cleaner and then rinse immediately. A non-abrasive wax may be used to preserve finish area.

Valve cartridge replacement

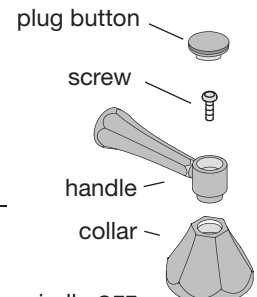
Step 1 Remove handle

Carefully pry loose *button plug* and remove Phillips head *screw*.

Step 2 Remove collar

Remove *collar* by turning counter clockwise.

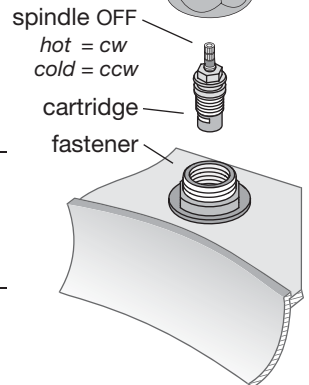
Note: *Ensure not to use any tool that could scratch finish without taking protective measures.*



Step 3 Remove cartridge

Using a wrench, turn hex nut on *cartridge* counter clockwise.

Note: *Ensure valve assembly under sink doesn't rotate while turning nut.*



Step 4 Insert cartridge

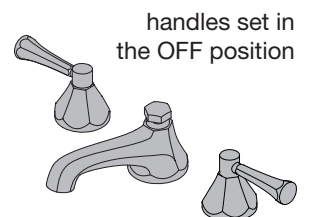
Insert replacement *cartridge* and tighten hex nut using a wrench.

Step 5 Attach collar

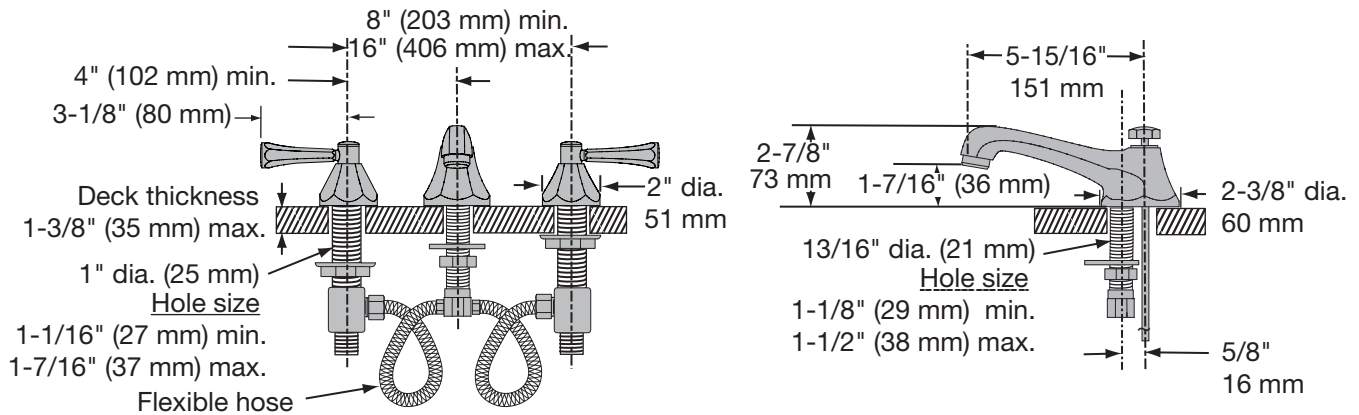
Screw *collar* onto *fastener* and tighten using your hand.

Step 6 Attach faucet handle

- Ensure cartridge spindle is rotated to the OFF position.
- Attach handle to top of spindle in OFF location as shown.
- Fasten with screw and replace button plug.

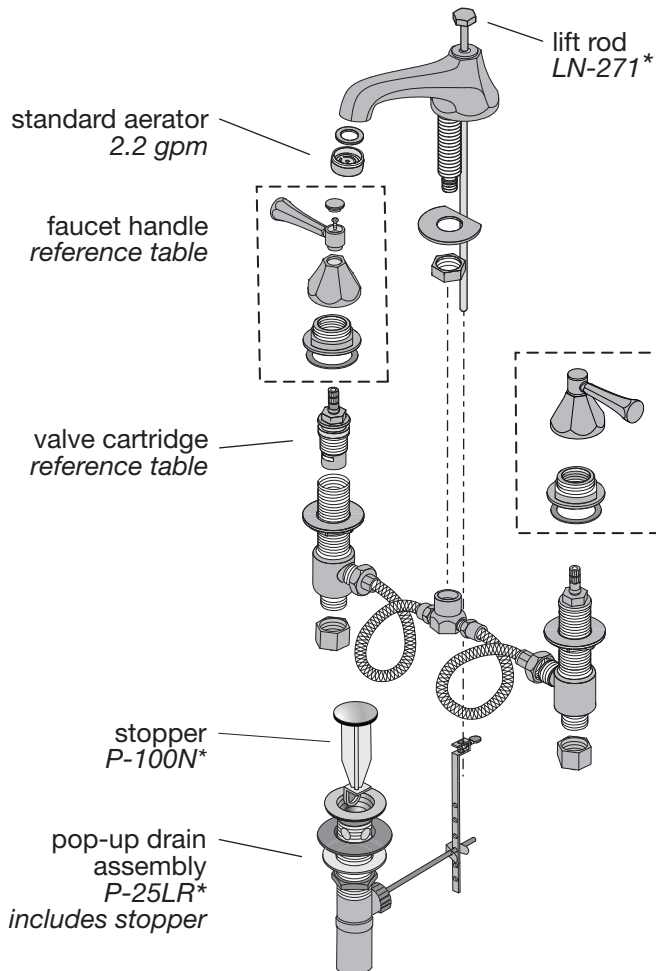


Dimensions *Canterbury Widespread Lavatory Faucet, SLW-4512*



Note: Dimensions subject to change without notice.

Parts Assembly *Canterbury Widespread Lavatory Faucet, SLW-4512*



Replacement Parts

Part Number	Item
WSF-LOC-RB-KIT*	(1) indicator ring <i>hot=red, cold=blue</i> plug button screw handle collar fastener gasket (1) Indicator ring is included on some model faucets.
WSF-LOC-RP-KIT*	(1) Indicator ring is included on some model faucets.
KN-114 (hot) OFF = CW KN-113 (cold) OFF = CCW	KN-113 identified by groove valve cartridge
LN-15* FLR-110-1.5* FLR-110-1.0*	aerator flow rates 2.2 gpm (8.3L/min) 1.5 gpm (5.7L/min) 1.0 gpm (3.8L/min) aerator

* Note: For faucets with an optional decorative finish, append appropriate three letter suffix code to part numbers marked with an asterisk (*).

Ordering replacement parts:

Call Symmons customer service at (800) 796-6667, (781) 848-2250 M-F 8:00 am - 7:30 pm EST or check our website at www.symmons.com for a list of Symmons distributors.