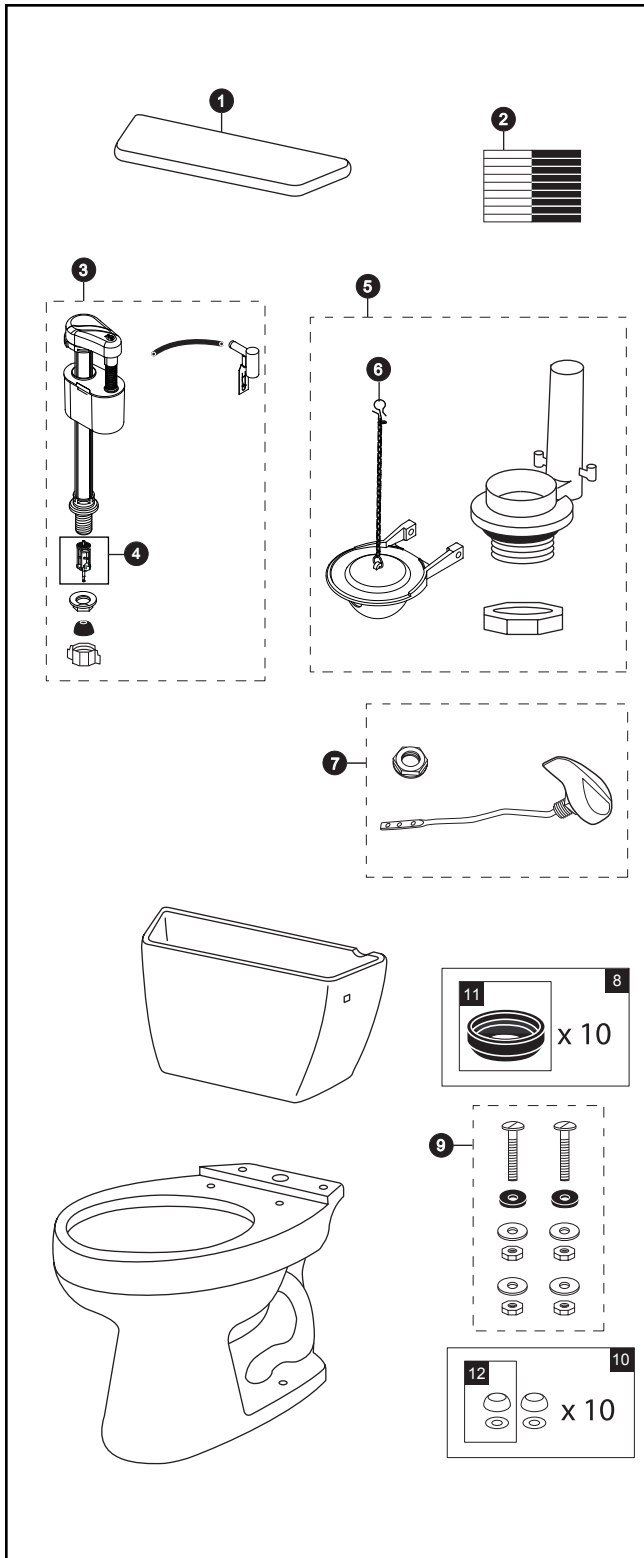


# CST744SLR

CST744SLR  
ST743SR  
C744SL

## Drake® 1.6 Gpf Toilet, Elongated, G-Max®, ADA, 12" Rough-In, Right Hand Trip Lever



Item	Part	Description
1	TCU743CR#01	Tank Lid w/ Velcro Tape
	TCU743CR#03	Tank Lid w/ Velcro Tape
	TCU743CR#04	Tank Lid w/ Velcro Tape
	TCU743CR#11	Tank Lid w/ Velcro Tape
	TCU743CR#12	Tank Lid w/ Velcro Tape
	TCU743CR#51	Tank Lid w/ Velcro Tape
2	THU107	Velcro Tape
3	TSU24A	Fill Valve
4	THU229	Fill Valve Filter
5	THU129W-A	Flush Valve
6	THU175S	Flapper w/ Chain
7	THU279#01	Trip Lever - Right Hand
	THU279#03	Trip Lever - Right Hand
	THU279#04	Trip Lever - Right Hand
	THU279#11	Trip Lever - Right Hand
	THU279#12	Trip Lever - Right Hand
	THU279#51	Trip Lever - Right Hand
	THU279#BN	Trip Lever - Right Hand
	THU279#CP	Trip Lever - Right Hand
	THU279#PB	Trip Lever - Right Hand
8	THU131	Tank to Bowl Gaskets (for 10 toilets)
9	TSU01D	Tank Mounting Kit
10	THU098#01	Bolt Cap Sets (for 10 toilets) for #01 & #11
	THU098#03	Bolt Cap Sets (for 10 toilets) for #03 & #12
	THU098#04	Bolt Cap Sets (for 10 toilets)
	THU098#51	Bolt Cap Sets (for 10 toilets)
11	9BU024E	3" Tank to Bowl Gasket
12	THU044#01	Bolt Cap Sets (for 10 toilets) for #01 & #11
	THU044#03	Bolt Cap Sets (for 10 toilets) for #03 & #12
	THU044#04	Bolt Cap Sets (for 10 toilets)
	THU044#51	Bolt Cap Sets (for 10 toilets)

### Product Number Explanations

#### Two-Piece Toilet

(CST) Gravity Type Toilet  
(744) Model  
(S) G-Max®  
(L) ADA Compliant  
(R) Right Hand Trip Lever

#### Colors

(#01) Cotton  
(#03) Bone  
(#04) Gray  
(#11) Colonial White  
(#12) Sedona Beige  
(#51) Ebony

#### Tank

(ST) Tank  
(743) Model  
(S) G-Max®  
(R) Right Hand Trip Lever

#### Finishes

(#BN) Brushed Nickel  
(#CP) Chrome Plated  
(#PB) Polished Brass

#### Bowl

(C) Bowl  
(744) Model  
(S) G-Max®  
(L) ADA Compliant

Actual product may differ slightly from illustration.