

## Promenade® Close Coupled Toilet, 1.6GPF

### FEATURES

- G-Max® flushing system, low consumption (1.6GPF/6.0LPF)
- Universal Height
- Optional SanaGloss® ceramic glaze - SanaGloss glaze prevents debris, mold and bacteria from sticking to ceramic surfaces, leading to fewer chemicals and less water in cleaning.
- Decorative two-piece design with high-profile tank
- Chrome trip lever

### MODELS

- CST424SFG  
With SanaGloss ceramic glaze
- CST424SF  
Less SanaGloss

### COMPONENTS

- C424EFG  
Elongated bowl with SanaGloss
- C424EF  
Elongated bowl less SanaGloss
- ST424S  
Tank and cover only
- SS114 SoftClose® seat (sold separately)
- SS304 SoftClose® maple seat (sold separately)
- SS154 seat (sold separately)

### COLORS/FINISHES

- Standard
  - #01 Cotton
  - #03 Bone
  - #11 Colonial White
  - #12 Sedona Beige
  - #51 Ebony (not available with SanaGloss)

### PRODUCT SPECIFICATION

The two-piece G-Max flushing system toilet shall be 1.6GPF/6.0LPF. Toilet shall have high-profile tank, elongated front bowl and chrome trip lever. Toilet shall be universal height and ADA compliant when approached from trip lever side. CST424SFG shall have SanaGloss ceramic glaze. Toilet shall be TOTO Model CST424SF\_\_\_\_\_.



*SanaGloss*

**G-MAX**  
FLUSHING SYSTEM BY TOTO®

### CODES/STANDARDS

- Meets and exceeds ASME A112.19.2/CSA B45.1,
- Certifications: IAPMO(cUPC), State of Massachusetts, City of Los Angeles, and others
- Code compliance: UPC, IPC, NSPC, NPC Canada, and others
- ADA compliant (when installed with trip lever located on the approach side)



# CST424SF(G)

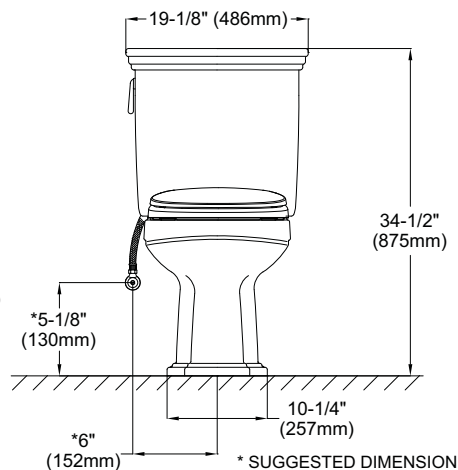
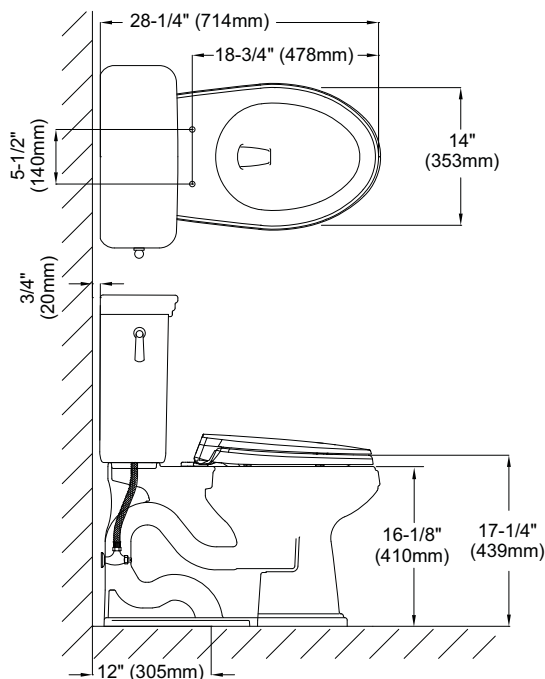
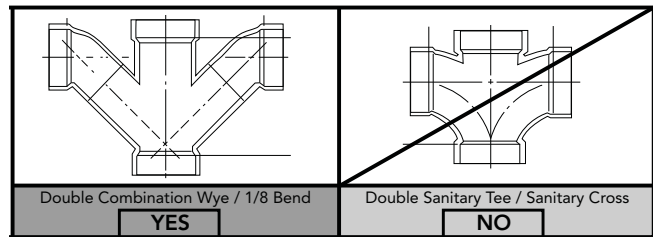
## Promenade® Close Coupled Toilet, 1.6GPF

### SPECIFICATIONS

- Water Use 1.6 GPF/6.0LPF
- Flush System G-Max
- Min. Water Pressure 8 psi (static)
- Water Surface 8-7/8" x 6-3/8"
- Trap Diameter 2-1/8"
- Rough-in 12"
- Trap Seal 2-1/4"
- Warranty One Year Limited Warranty
- Material Vitreous china
- Shipping Weight C424EF(G) - 54lbs  
ST424S - 41.5lbs
- Shipping Dimensions C424EF(G)  
28"L x 10"W<sup>1</sup> x 16-1/4"W<sup>2</sup>  
x 17-1/4"H  
  
ST424S  
20-1/2"L x 9-1/2"W  
x 21-3/4"H

### INSTALLATION NOTES

Back-to-Back Toilet Installations:  
TOTO recommends the use of a nationally listed, double sanitary tee-wye only, in vertical waste stacks, in accordance with the stipulations noted in the majority of nationally recognized plumbing codes.



**TOTO®**

*These dimensions and specifications are subject to change without notice*