

## Aimes® One-Way Volume Control Trim

### FEATURES

---

- Lever handle
- For use with One-Way Volume Control Valve (TS2A)

### COLORS/FINISHES

---

- #CP Polished Chrome
- #BN Brushed Nickel
- #PN Polished Nickel

### CODES/STANDARDS

---

- Meets or exceeds ASME A112.18.1/CSA B125.1
- Certifications: IAPMO(cUPC), State of Massachusetts and others
- Code Compliance: UPC, IPC, NSPC, NPC Canada, and others
- ADA compliant



### PRODUCT SPECIFICATION

---

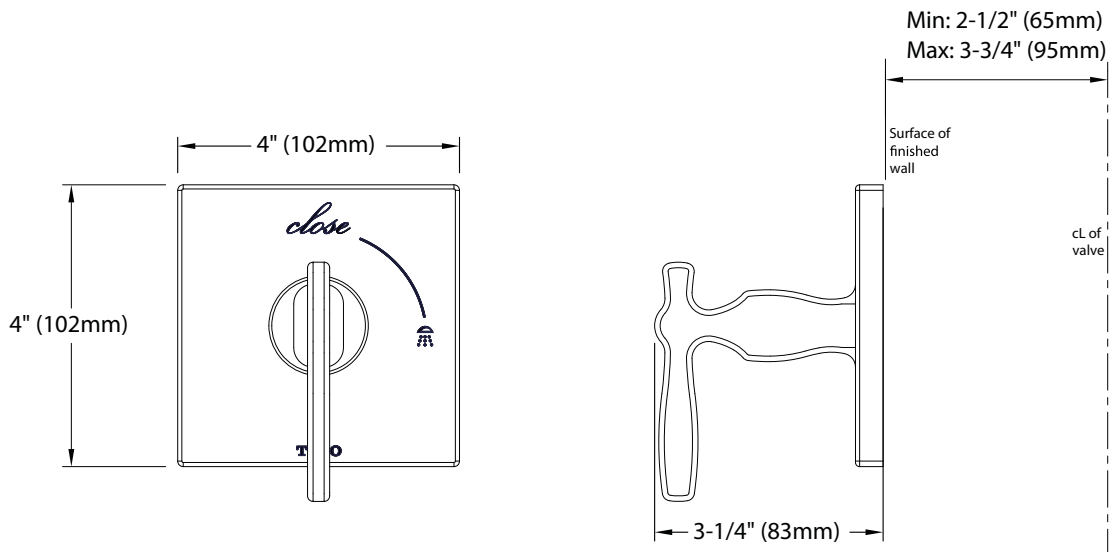
Volume control trim shall have a lever handle. Product shall be TOTO Model TS626C2#\_\_\_\_ and required valve shall be TS2A sold separately.

# TS626C2

## Aimes® One-Way Volume Control Trim

### SPECIFICATIONS

- |                       |  |   |
|-----------------------|--|---|
| • Warranty            | Lifetime Limited Warranty (Residential Use)<br>One Year (Commercial Use) | VALVE REQUIRED:<br>One-Way volume control valve model TS2A sold separately. |
| • Material            | Brass  |   |
| • Shipping Weight     | 4.4 lbs.   |   |
| • Shipping Dimensions | 11" L x 12-3/8" W x 3-5/8" H   |   |



**TOTO®**

*These dimensions and specifications are subject to change without notice*