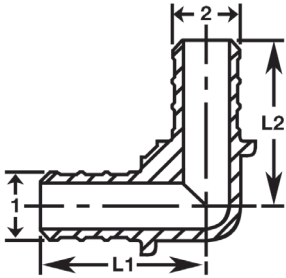


Dimensional Documentation

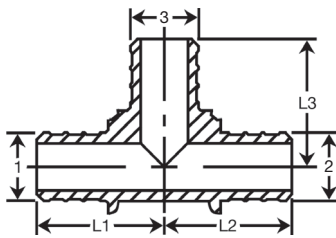
viega

Viega® PEX Crimp PolyAlloy™ Fittings



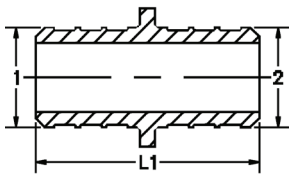
Viega PEX Crimp 90° Elbow Zero Lead PolyAlloy - Model V5216

Part Number	Size		L1 (in)	L2 (in)
	1	2		
43210	3/8"		1.15	1.15
43220	1/2"		1.15	1.15
43240	3/4"		1.25	1.25
43242	3/4" x 1/2"		1.25	1.25
43260	1"		1.53	1.53



Viega PEX Crimp Tee Zero Lead PolyAlloy - Model V5218

Part Number	Size			L1 (in)	L2 (in)	L3 (in)
	1	2	3			
43500	3/8"			1.16	1.16	1.16
43520	1/2"			1.15	1.15	1.15
43334	1/2" x 1/2" x 3/4"			1.25	1.25	1.15
43540	3/4"			1.25	1.25	1.25
43433	3/4" x 1/2" x 1/2"			1.25	1.15	1.25
43434	3/4" x 1/2" x 3/4"			1.25	1.25	1.25
43443	3/4" x 3/4" x 1/2"			1.15	1.15	1.25
43445	3/4" x 3/4" x 1"			1.30	1.30	1.34
43544	1" x 3/4" x 3/4"			1.37	1.36	1.36
43545	1" x 3/4" x 1"			1.54	1.39	1.54
43553	1" x 1" x 1/2"			1.33	1.33	1.32
43554	1" x 1" x 3/4"			1.33	1.33	1.26
43560	1"			1.53	1.53	1.53

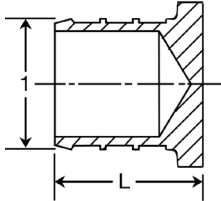


Viega PEX Crimp Coupling Zero Lead PolyAlloy - Model V5215

Part Number	Size		L(in)
	1	2	
43402	3/8"		1.52
43403	1/2"		1.50
43332	1/2" x 3/8"		1.52
43343	3/4" x 1/2"		1.50
43353	1" x 1/2"		1.70
43404	3/4"		1.50
43354	1" x 3/4"		1.70
43355	1"		1.82

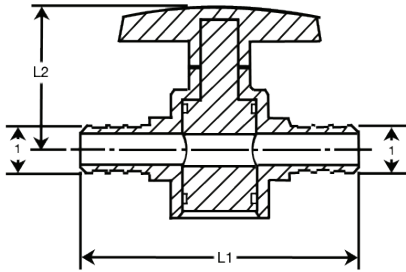
Dimensional Documentation

viega



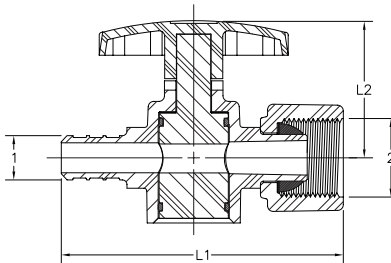
Viega PEX Crimp Test Plug Zero Lead PolyAlloy - Model V5058

Part Number	Size	L (in)
	1	
43702	3/8"	0.76
43723	1/2"	0.76
43744	3/4"	0.95
43765	1"	1.13



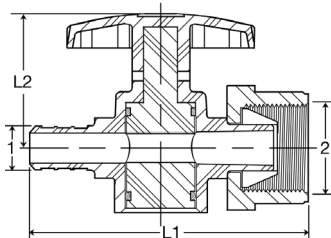
Viega PEX Crimp Valve Zero Lead PolyAlloy 1/4 Turn - Model V5236

Part Number	Size	L1 (in)	L2 (in)
	1		
43030	1/2"	2.83	1.45
43040	3/4"	3.00	1.45



Viega PEX Crimp Stop Valve Straight Zero Lead PolyAlloy Crimp x Lav 1/4 Turn - Model V5036.30

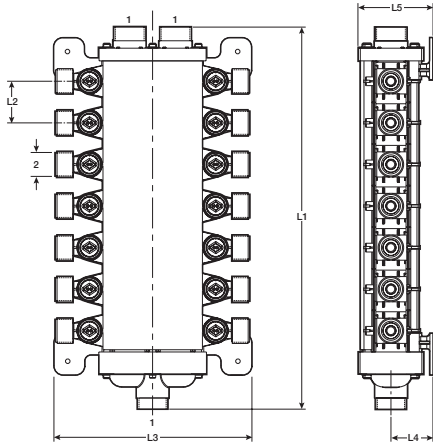
Part Number	Size	L1 (in)	L2 (in)
	1 2		
43023	3/8" x 1/2" Lav	3.00	1.45
43031	1/2" x 1/2" Lav	3.00	1.45



Viega PEX Crimp Stop Valve Straight Zero Lead PolyAlloy Crimp x Closet 1/4 Turn - Model V5036-31

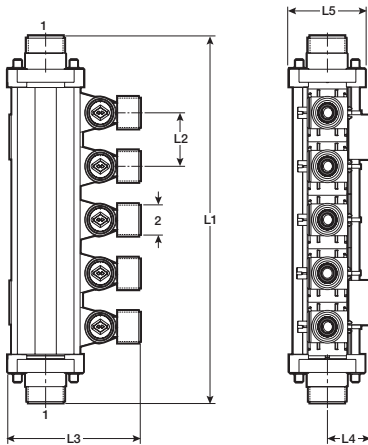
Part Number	Size	L1 (in)	L2 (in)
	1 2		
43002	3/8" x 1/2" Closet	3.00	1.45
43003	1/2" x 1/2" Closet	3.00	1.45

Dimensional Documentation



Viega ManaBloc Distribution Manifold Zero Lead Crimp - Model V5030.5

Part Number	Size		Ports	L1	L2	L3	L4	L5
	1	2						
50143	1" x 5/8" NPSM	14	15.44"	1.68"	8.00"	1.70"	3.00"	
51618	1" x 5/8" NPSM	18	18.80"	1.68"	8.00"	1.70"	3.00"	
50243	1" x 5/8" NPSM	24	23.78"	1.68"	8.00"	1.70"	3.00"	
50303	1" x 5/8" NPSM	30	28.88"	1.68"	8.00"	1.70"	3.00"	
50363	1" x 5/8" NPSM	36	33.92"	1.68"	8.00"	1.70"	3.00"	



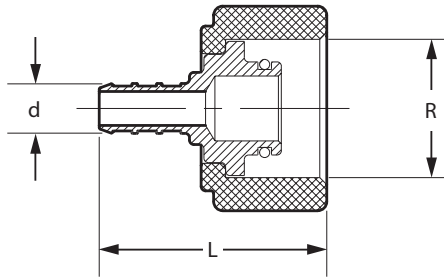
Viega MiniBloc Zoning Manifold Zero Lead Crimp - Model V5031.5

Part Number	Size		Ports	L1	L2	L3	L4	L5
	1	2						
50033	1" x 5/8" NPSM	3	8.19"	1.68"	4.37"	1.42"	2.50"	
50043	1" x 5/8" NPSM	4	9.87"	1.68"	4.37"	1.42"	2.50"	
51063*	1" x 5/8" NPSM	5	11.55"	1.68"	4.37"	1.42"	2.50"	
50063	1" x 5/8" NPSM	6	13.23"	1.68"	4.37"	1.42"	2.50"	
51073*	1" x 5/8" NPSM	7	14.91"	1.68"	4.37"	1.42"	2.50"	
50083	1" x 5/8" NPSM	8	16.59"	1.68"	4.37"	1.42"	2.50"	
51003*	1" x 5/8" NPSM	10	19.95"	1.68"	4.37"	1.42"	2.50"	

*Manifold incorporates hot and cold ports.

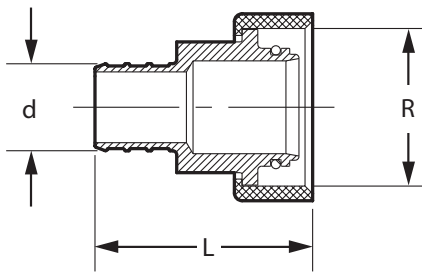
Dimensional Documentation

viega



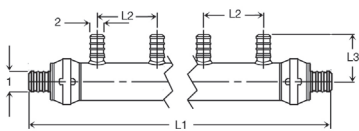
Viega PEX Crimp Port Adapter Zero Lead PolyAlloy for ManaBloc Crimp x Port - Model V5039.1

Part Number	Size		L (in)
	1	2	
50023	3/8" x 1/2" Port		1.58
50133	1/2" x 1/2" Port		1.58



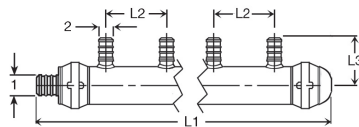
Viega PEX Crimp Supply Adapter Zero Lead PolyAlloy for ManaBloc Crimp x Supply - Model V5213

Part Number	Size		L (in)
	1	2	
50141	3/4" x 1" ManaBloc		1.66
50151	1" x 1" ManaBloc		1.84



Viega PEX Crimp Manifold Zero Lead PolyAlloy Flow Through - Model V5031.2

Part Number	Size		L1 (in)	L2 (in)	L3 (in)
	1	2			
65152	3/4" x 1/2" - 2 Outlet		6.50	2.00	1.55
65153	3/4" x 1/2" - 3 Outlet		8.50	2.00	1.55
65154	3/4" x 1/2" - 4 Outlet		10.50	2.00	1.55
65254	1" x 3/4" x 1/2" - 4 Outlet		10.60	2.00	1.55
65256	1" x 1/2" - 6 Outlet		14.80	2.00	1.55
65258	1" x 1/2" - 8 Outlet		18.80	2.00	1.55

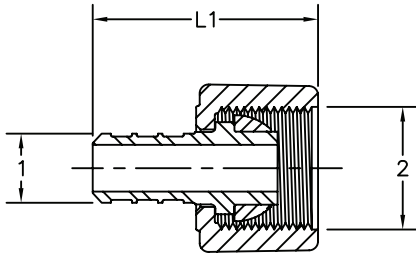


Viega PEX Crimp Manifold Zero Lead PolyAlloy Closed - Model V5031.22

Part Number	Size		L1 (in)	L2 (in)	L3 (in)
	1	2			
65104	3/4" x 1/2" - 4 Outlet		10.10	2.00	1.55
65206	1" x 1/2" - 6 Outlet		14.30	2.00	1.55

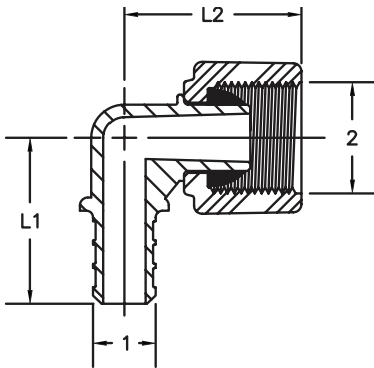
Dimensional Documentation

viega



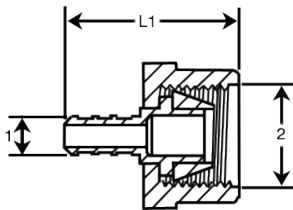
Viega PEX Crimp Lav Adapter Zero Lead PolyAlloy Crimp x Lav - Model V5263

Part Number	Size		L1 (in)
	1	2	
43323	3/8"	1/2" Lav	1.52
43333	1/2"	1/2" Lav	1.46
43344	3/4"	3/4" Lav	1.62



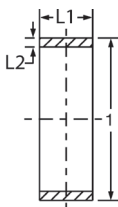
Viega PEX Crimp Lav Adapter 90° Elbow Zero Lead PolyAlloy Crimp x Lav - Model V5255

Part Number	Size		L1 (in)	L2 (in)
	1	2		
43232	3/8"	1/2" Lav	1.35	1.15
43233	1/2"	1/2" Lav	1.35	1.15
43244	3/4"	3/4" Lav	1.42	1.25



Viega PEX Crimp Closet Adapter Zero Lead PolyAlloy Crimp x Closet - Model V5257

Part Number	Size		L1 (in)
	1	2	
43300	3/8"	1/2" Closet	1.60
43320	1/2"	1/2" Closet	1.60



Viega PEX Crimp Ring Copper - Model V5019.9

Part Number	Size	L1 (in)	L2 (in)
43600	3/8" SDR9	0.32	0.05
43620	1/2" SDR9	0.32	0.05
43640	3/4" SDR9	0.32	0.05
43660	1" SDR9	0.36	0.04

This document subject to updates. For the most current Viega technical literature please visit www.viega.us.
Click Services -> Click Electronic Literature Downloads -> Select Product Line -> Select Desired Document

Viega LLC, 100 N. Broadway, 6th Floor • Wichita, KS 67202 • Ph: 800-976-9819 • Fax: 316-425-7618