

Styleline MEDICINE CABINET



FEATURES/TYPICAL SPECIFICATIONS

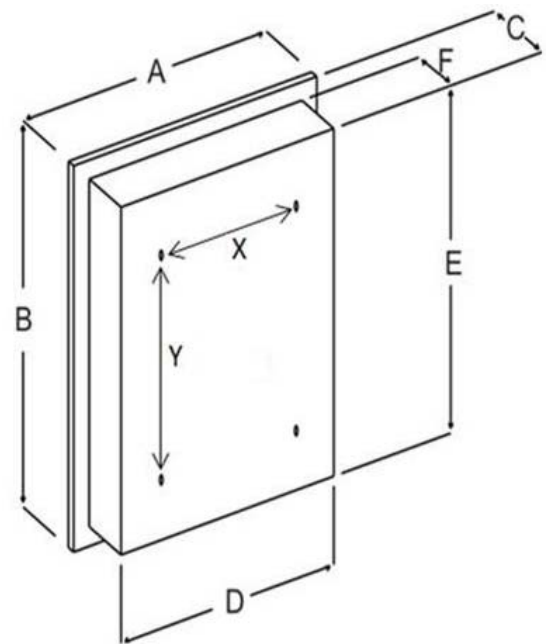
- Surface Mount Installation
 - Pre-drilled mounting holes spacing: $y = 12.375''$ center-to-center and $x = 8.875''$ center-to-center
- Formed and welded steel housing (WB/ST)
 - 22 gauge steel with white, heat cured, acrylic paint finish
- Framed Mirror door
 - 2MM thick float glass mirror door front
 - Polished stainless steel frame (SS8)
 - 30 gauge steel door back with white, heat cured, acrylic paint finish
- 16" piano hinge with 90° stop welded to the door and mechanically fastened to the cabinet body (HG01) (1 typical)
- Reversible for left-hand or right-hand door swing
- 3/16" thick glass shelves, adjustable (ADJ) (3 typical)
- Magnetic door catch in the cabinet body aligns to a stainless steel striker plate on the door back (1 typical)
- Mounting hardware and a 26 gauge galvanized steel toothbrush holder with white, heat cured, enamel paint finish are included
- Standard Pallet Quantity of 42 units

Finishes:

Housing: PT01— Basic White

Mirror: Flat Mirror

Frame: SS8—Polished Stainless Steel



Meets Federal Specification #WW-P-541/8B

Model #	Description	Dimensions In Inches					
		A	B	C	D	E	F
472FS	MEDCAB 1DR 16X22 SS8 WB/ST	16 $\frac{1}{8}$	22 $\frac{1}{8}$	5-1/16	15 $\frac{5}{8}$	21 $\frac{1}{8}$	4-5/16

REFERENCE	QTY.	REMARKS	Project
			Location
			Architect
			Engineer
			Contractor
			Submitted by
			Date

* All models and material specifications are subject to change or withdrawal without notice.