



a Geberit company

2100 South Clearwater Drive
Des Plaines, IL 60018
Phone: 847-803-5000
Fax: 847-803-5454
www.chicagofaucets.com

FOR TECHNICAL ASSISTANCE
1-800-TEC-TRUE (1-800-832-8783)

REPAIR PARTS

BY: JAR DATE: 11-25-14
CHK: *JAR* REV: 05-06-15

FITTING NO.

EQ-B1_SERIES

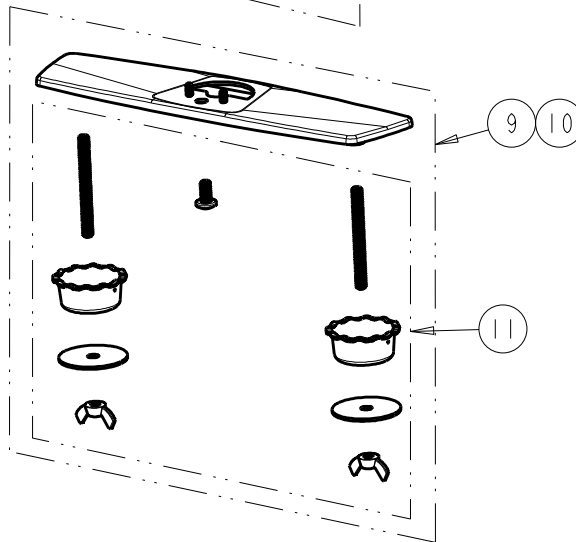
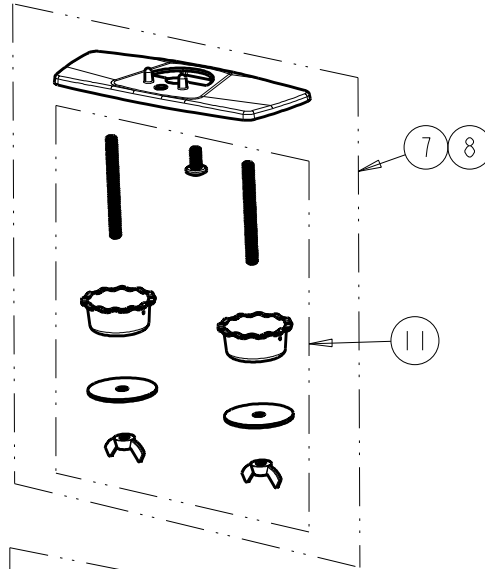
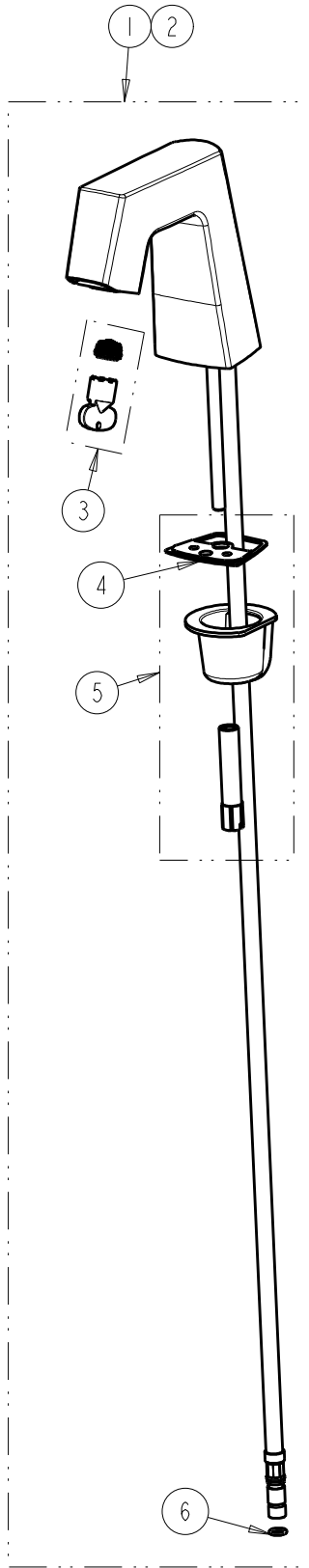
SUBMITTED MODEL NO.

ITEM NO.

FINISH OPTIONS

CP=CHROME PLATE

BN=BRUSHED NICKEL



NOTE:
ITEM 4 INCLUDES DECK GASKET FOR EACH SPOUT DESIGN AND HOSE O-RINGS.

ITEM	PART NO.	DESCRIPTION
1	EQ-B11A-KJKABCP	KIT, EQ SQUARE SPOUT w/ 0.5 GPM
2	EQ-B11A-KJKABBN	KIT, EQ SQUARE SPOUT w/ 0.5 GPM
3	243.145.AB.1	KIT, OUTLET FOR EQ 0.5 GPM
4	243.150.AB.1	KIT, SPOUT SEAL EQ SERIES
5	243.148.00.1	KIT, HARDWARE FOR EQ SQUARE SPOUT
6	-----	O-RING #011, DRINKING WATER COMPLIANT
7	EQ-B12-KJKCP	KIT, 4" COVER PLATE - EQ SQUARE
8	EQ-B12-KJKBN	KIT, 4" COVER PLATE - EQ SQUARE
9	EQ-B13-KJKCP	KIT, 8" COVER PLATE - EQ SQUARE
10	EQ-B13-KJKBN	KIT, 8" COVER PLATE - EQ SQUARE
11	243.181.00.1	KIT, HARDWARE FOR EQ COVER PLATES

CHICAGO FAUCETS

a Geberit company

2100 South Clearwater Drive
Des Plaines, IL 60018
Phone: 847-803-5000
Fax: 847-803-5454
www.chicagofaucets.com

REPAIR PARTS

BY: JAR DATE: 12-04-14
CHK: *JAR* REV:

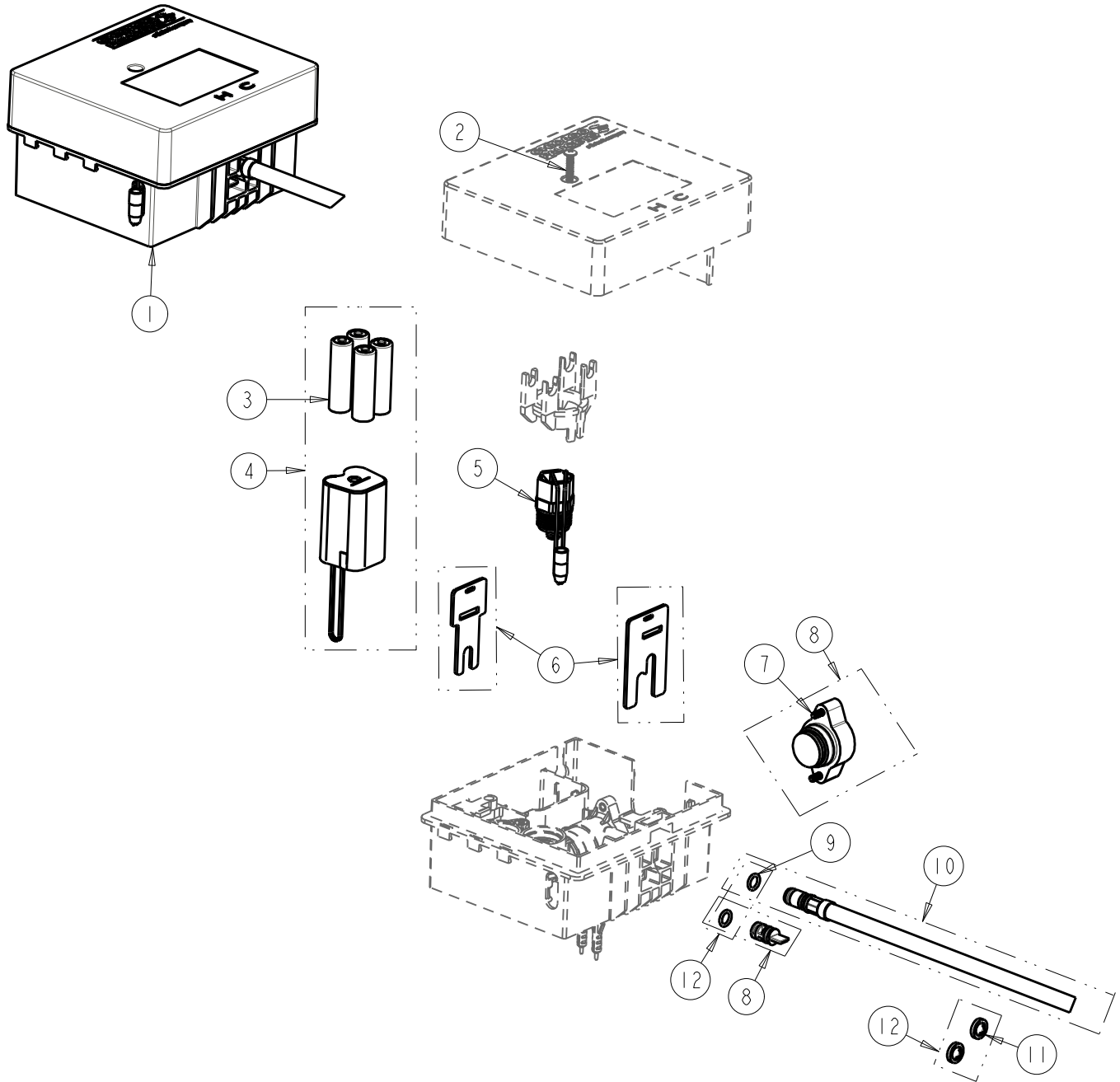
FITTING NO.

EQ-11KJKABNF

SUBMITTED MODEL NO.

ITEM NO.

FOR TECHNICAL ASSISTANCE
1-800-TEC-TRUE (1-800-832-8783)



ITEM	PART NO.	DESCRIPTION
1	EQ-11KJKABNF	CONTROL BOX ASSY EQ IR BATT SS NMIX
2	-----	SCREW, #8 X 1-1/4" LONG PLASTITE TYPE
3	-----	ALKALINE BATTERY 4AA
4	243.153.00.1	BATTERY HOLDER FOR EQ w/ BATTERIES
5	243.152.AB.1	SOLENOID VALVE, DN5
6	243.158.00.1	CONTROL BOX HARDWARE KIT FOR EQ
7	-----	BONNET HEX SCREW, M4x0.7x16mm
8	243.180.AB.1	REBUILD KIT FOR EQ SS NMIX
9	-----	O-RING #011, DRINKING WATER COMPLIANT
10	243.157.AB.1	INLET SUPPLY HOSE FOR EQ
11	3300-005JKABNF	FILTER/SCREEN
12	243.159.AB.1	KIT, SEALS AND CHECKS FOR EQ