

FOR NON-FREEZING AREAS ONLY



Model 40 Series Single Sink Fittings

For use in any Non-Freeze area including lawn, garden and under sink applications.

SPECIFICATIONS:

EXTERIOR FINISH - Polished Chrome(PC) standard. Rough Brass (RB) optional.

OPERATING HANDLE - Furnished with Polycarbonate Wheel Handle and Loose Tee Key.

BRASS CONSTRUCTION - Adjustable packing nut with deep stem guard. Teflon impregnated packing and standard "O" size washer

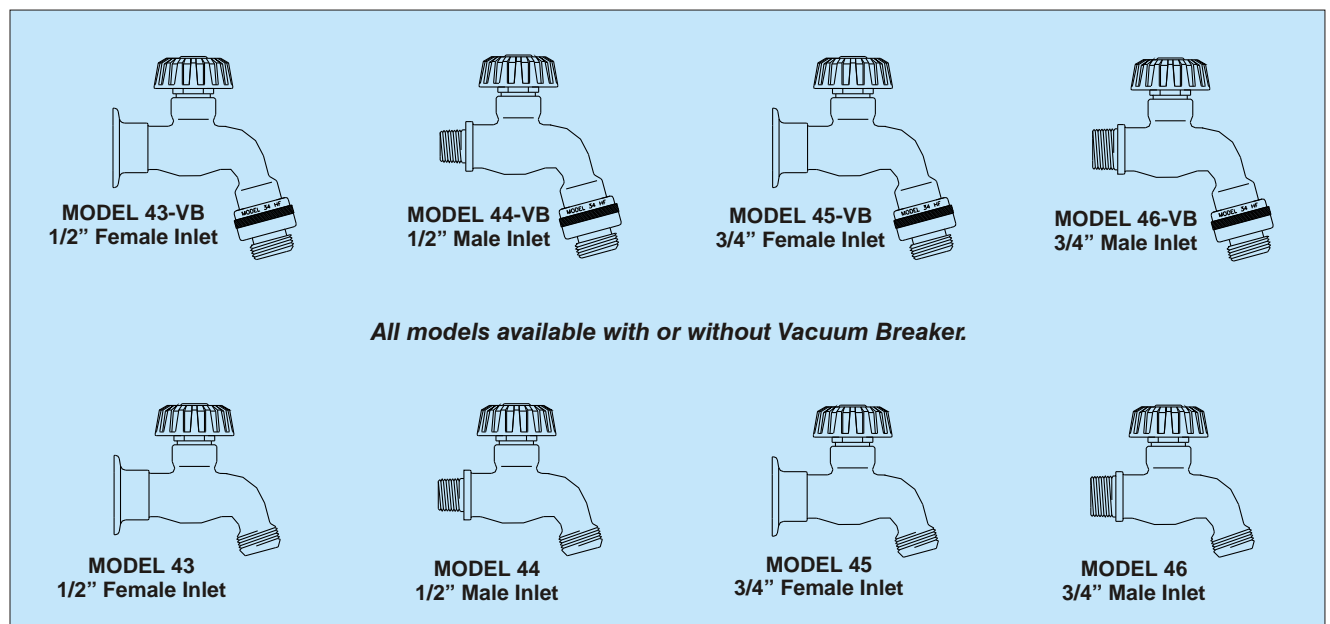
NOZZLE - $\frac{3}{4}$ inch male hose thread.

ANTI-SIPHON VACUUM BREAKER: Must specify suffix **VB** - NIDEL® Model 34HF with $\frac{3}{4}$ inch male hose thread, approved under ASSE Standard 1011, listed by IAPMO® and certified by CSA.

MAXIMUM PRESSURE - 125 p.s.i.

MAXIMUM WATER TEMPERATURE - 120° F

For Maximum protection, vacuum breaker replacement every three to five years is strongly recommended.



When ordering, specify model number, finish, handle, and vacuum breaker option.

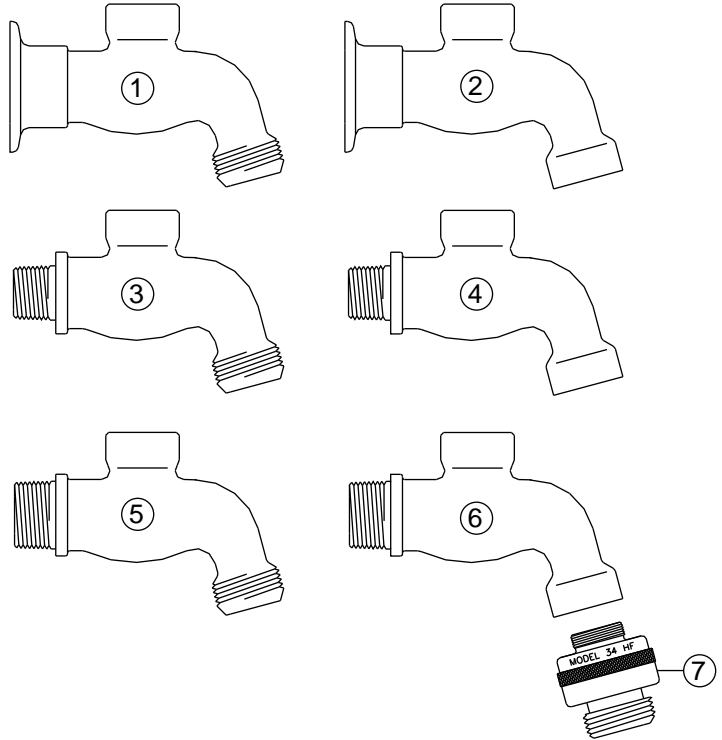
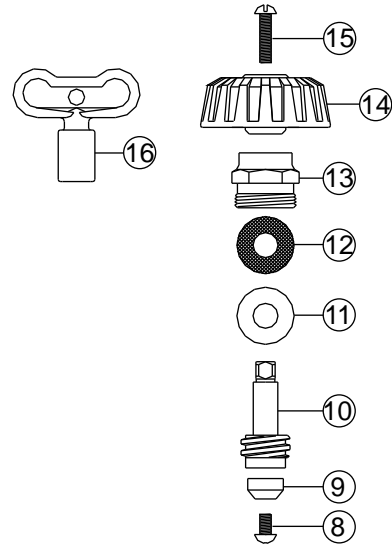
WOODFORD



MODEL 40 SERIES PARTS LIST

ITEM	PART#	DESCRIPTION
1	30440	HEAD 43-1/2 Female - ROUGH BRASS *
	30441	HEAD 43-1/2 Female - POLISHED CHROME *
	30448	HEAD 45-3/4 Female - ROUGH BRASS *
	30449	HEAD 45-3/4 Female - POLISHED CHROME *
2	30442	HEAD 43-1/2 Female-VB - ROUGH BRASS *
	30443	HEAD 43-1/2 Female-VB - POLISHED CHROME *
	30450	HEAD 45-3/4 Female-VB - ROUGH BRASS *
	30451	HEAD 45-3/4 Female-VB - POLISHED CHROME *
3	30444	HEAD 44-1/2 Male - ROUGH BRASS
	30445	HEAD 44-1/2 Male - POLISHED CHROME
4	30446	HEAD 44-1/2 Male-VB - ROUGH BRASS
	30447	HEAD 44-1/2 Male-VB - POLISHED CHROME
5	30452	HEAD 46-3/4 Male - ROUGH BRASS
	30453	HEAD 46-3/4 Male - POLISHED CHROME
6	30454	HEAD 46-3/4 Male-VB - ROUGH BRASS
	30455	HEAD 46-3/4 Male-VB - POLISHED CHROME
7	34HF-CH	VACUUM BREAKER - CHROME
	34HF-BR	VACUUM BREAKER - BRASS
8	30009	WASHER SCREW
9	30008	WASHER
10	30104	OPERATING STEM
11	30105	PACKING WASHER
12	30005	PACKING
13	30107	PACKING NUT - ROUGH BRASS
	30109	PACKING NUT - POLISHED CHROME
14	30233	WHEEL HANDLE - TAN
	30120	WHEEL HANDLE - CLEAR
15	30002	HANDLE SCREW - BRASS
	30121	HANDLE SCREW - NICKEL
16	50009	TEE KEY
	RK-24	CHROME REPAIR KIT(Includes Items 8-15)
	RK-H34	BRASS REPAIR KIT(Includes Items 8-15)

* VACUUM BREAKER SOLD SEPARATELY



For more information contact...

WOODFORD MANUFACTURING COMPANY

2121 Waynoka Road, Colorado Springs, Colorado 80915 • Phone: (800) 621-6032 • Fax: (800) 765-4115

To view our complete product line visit: www.woodfordmfg.com or email: sales@woodfordmfg.com

A Division Of WCM Industries, Inc.