

TROUBLESHOOTING & MAINTENANCE



For more information contact...

WOODFORD MANUFACTURING COMPANY

2121 Waynoka Road, Colorado Springs, Colorado 80915 • Phone: (800) 621-6032 • Fax: (800) 765-4115

To view our complete product line visit: www.woodfordmfg.com or email: sales@woodfordmfg.com

A Division of WCM Industries, Inc.

Thermaline® Heated Yard Hydrant

Page 1

Rev 10/11 Form No.TMTline.101

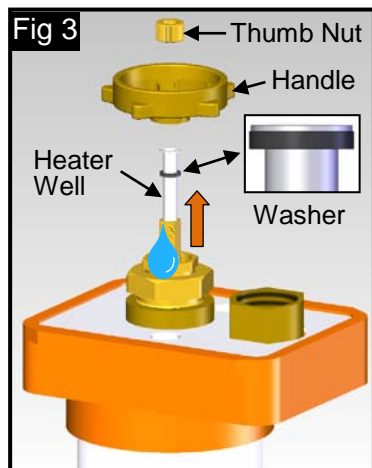
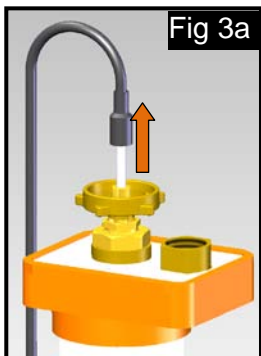
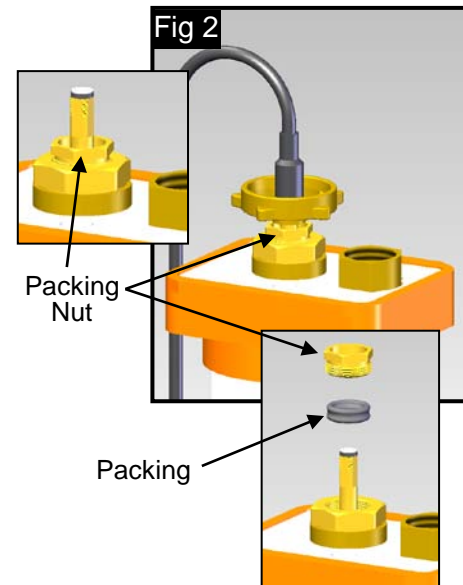
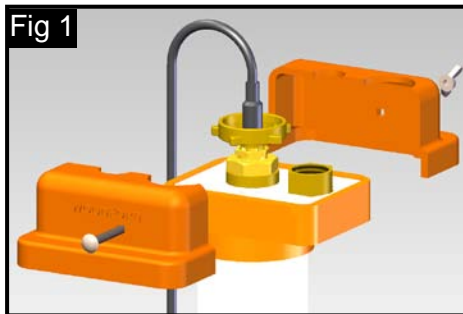
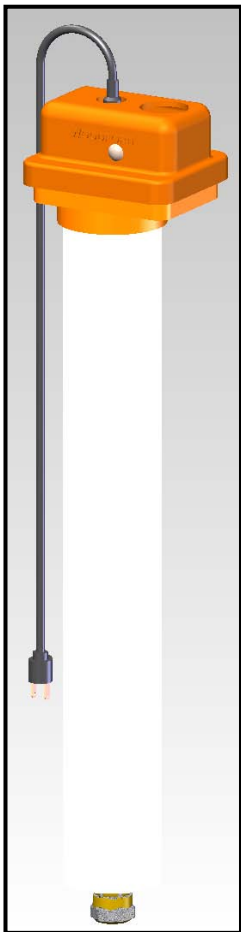


Fig 1: *Unbolt and remove Head Covers to access valve and heater components.*

Fig 2: *Water leaks from around the brass Stem when the hydrant is on.*

- The Packing Nut will occasionally need to be tightened to stop a packing leak.
- Tighten the Packing Nut until snug and the leak stops.
- Persistent leaks will require a new Packing.
(Order Packing #80008 for units sold before 6/1/2011)
(Order Packing #30247 for units sold after 6/1/2011)
See page 3 for replacement parts.

Fig 3: *Water leaks from the top of the stem when the hydrant is on:*

- The Heater Well, Heater Well Thumb Nut or Heater Well Washer may be missing or the Heater Well has a hole or split.
- To inspect the Heater Well:
 1. Unplug the power cord
 2. Pull the Heater and Cord assembly straight up and out of the Heater Well
 3. Remove the Thumb Nut, Heater Well and Handle. Pull the Heater Well straight up and out of the Hydrant. Be careful not to bend or dent the Heater Well.
 4. Reinstall or replace Heater Well.

TROUBLESHOOTING & MAINTENANCE



For more information contact...

WOODFORD MANUFACTURING COMPANY

2121 Waynoka Road, Colorado Springs, Colorado 80915 • Phone: (800) 621-6032 • Fax: (800) 765-4115

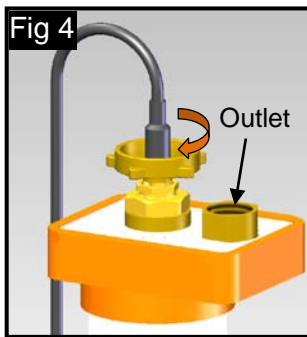
To view our complete product line visit: www.woodfordmfg.com or email: sales@woodfordmfg.com

A Division of WCM Industries, Inc.

Page 2

Rev 10/11 Form No.TMTline.101

Thermaline® Heated Yard Hydrant



Hydrant is Off

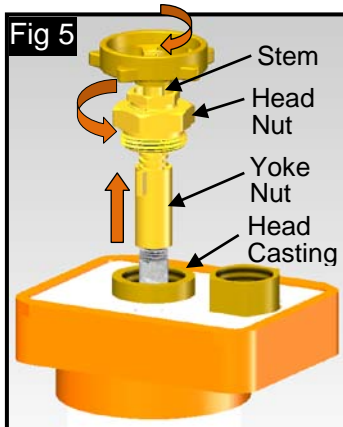
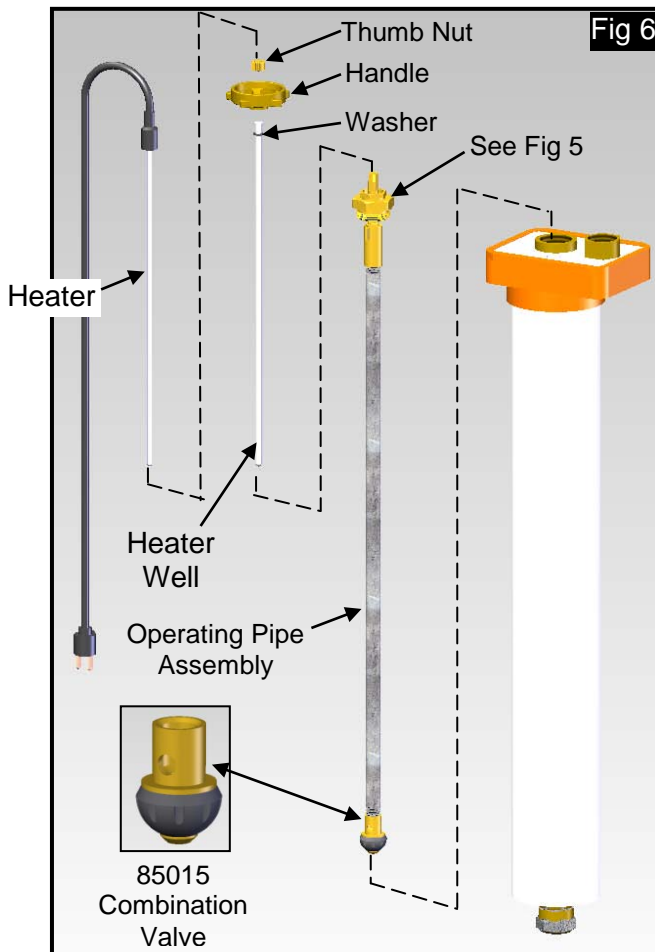


Fig 4: Water leaks from the outlet when the hydrant is off:

- The Combination Valve Assembly #85015 **Fig 6** may be worn or damaged and needs to be replaced.
- If the hydrant leaks just after installation, the valve seat may be fouled with debris such as small rocks.
- Follow the instructions below on how to remove the Operating Pipe, inspect or replace the Combination Valve and flush the Casing.

Fig 5 & 6: Operating Pipe removal:

1. Shut off the water supply to the hydrant and unplug the Heater.
2. Remove the Heater, Heater Well Thumbnut, Handle and Heater Well. Reference **Fig 3 & 3a**
3. Turn the Stem clockwise until it is seated, but not overly tight.
4. Loosen and turn the Head Nut assembly counterclockwise while turning the operating Stem clockwise until the threads disengage from the Head Casting.
5. With the stem screw engaged in the Yoke Nut, pry up until the 85015 Combination Valve pulls loose from the valve seat.
6. Inspect and/or replace the 85015 Combination Valve.
7. See Reinstall the Operating Pipe instructions on Page 3.



TROUBLESHOOTING & MAINTENANCE



For more information contact...

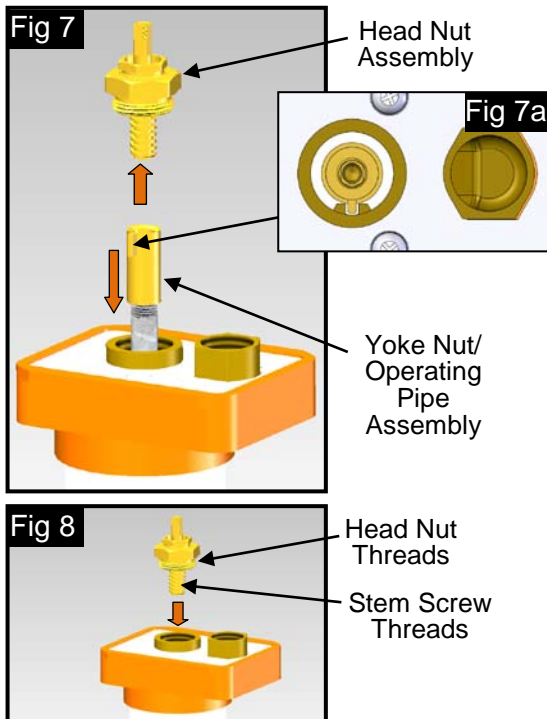
WOODFORD MANUFACTURING COMPANY

2121 Waynoka Road, Colorado Springs, Colorado 80915 • Phone: (800) 621-6032 • Fax: (800) 765-4115

To view our complete product line visit: www.woodfordmfg.com or email: sales@woodfordmfg.com

A Division of WCM Industries, Inc.

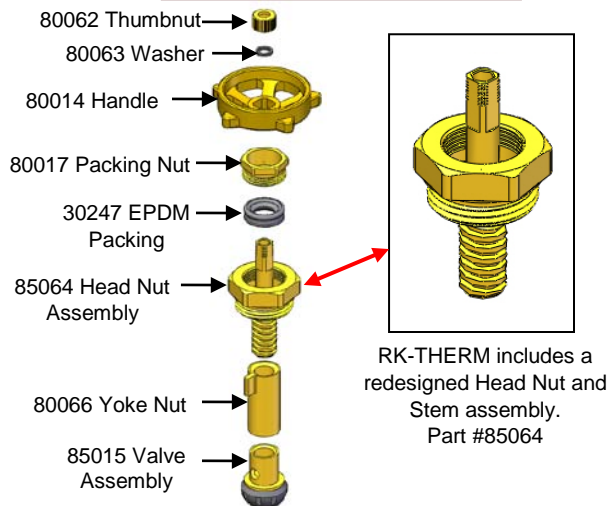
Thermaline® Heated Yard Hydrant



Reinstall the Operating Pipe:

- Fig 7:** Unthread the Operating Pipe from the Head Nut Assembly
- Fig 7a:** Push the Operating Pipe into the hydrant. *The wing on the Yoke Nut goes in the groove inside the Head.*
- Fig 8:** Start the Stem Screw thread into the Yoke Nut and turn the Stem Screw counterclockwise until the Head Nut threads can be engaged in the Head.
- Fig 8:** Thread the Head Nut Assembly into the Head clockwise while turning the Operating Stem counterclockwise.
- Fig 6:** (Page 2) Reinstall the Heater Well, Heater and hydrant parts in reverse order.

For Replacement Parts Order RK-THERM For Repair/Upgrade



Replacement Parts For Hydrants Built Prior To 6/1/11

