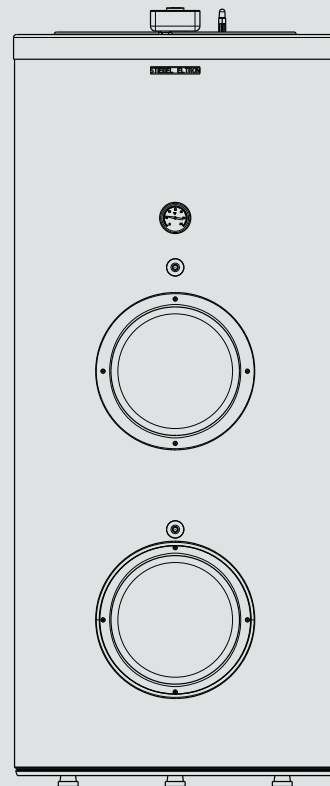


OPERATION AND INSTALLATION FUNCIONAMIENTO E INSTALACIÓN MODE D'EMPLOI ET INSTALLATION

Indirectly fired water heater with electric backup heating element
Calentador de agua a fuego indirecto con calentador eléctrico de refuerzo
Chauffe-eau à chauffage indirect avec élément de chauffage électrique auxiliaire

- » SB 300 E
- » SB 400 E



Conforms to ANSI/UL Std. 174
Certified to CAN/CSA Std. C22.2 No. 110-94

Conforme a ANSI/UL Std. 174
Certificación con CAN/CSA Std. C22.2 No. 110-94

Conforme à la norme ANSI/UL Std. 174
Certifié à la norme CAN/CSA Std. C22.2 No. 110-94

STIEBEL ELTRON

SPECIAL INFORMATION

OPERATION

1. General information	3
2. Safety	3
2.1 Intended use	3
2.2 Incorrect use	3
2.3 General safety instructions	3
2.4 Heat exchanger loop	3
2.5 Test symbols	3
3. Register your product	4
4. Appliance description	4
4.1 Heating the DHW tank	4
5. Using the electric heating element	4
6. Maintenance and care	4
6.1 Temperature / pressure relief valve	5
6.2 Decalcification	5
6.3 Replacement of the sacrificial anode	5
7. Plumbing troubleshooting	5
7.1 Notifying a qualified contractor	5
7.2 Safety label	6
8. Safety	6
8.1 General safety instructions	6
8.2 Instructions, standards and regulations	6
9. Preparations	6
9.1 Transport	6
9.2 Storage	7
9.3 Delivery configuration	7
9.4 Installation site	7
9.5 Siting the appliance	7
10. Installation	8
10.1 Water connection	8
10.2 Heating connection	9
10.3 Power supply	9
11. Commissioning	10
11.1 Commissioning	10
11.2 Recommissioning	10
12. Shutting down	10
13. Electrical Troubleshooting	10
13.1 Resetting the high limit safety cut-out	11
14. Maintenance and cleaning	11
14.1 Removing the heating element cover	11
14.2 Draining the tank	11
14.3 Descaling the electric element	11
14.4 Valves	11
14.5 Replacing the electric element cover	11
15. Specifications	12
15.1 Features	12
15.2 Dimensions	13
15.3 Data table	14
15.4 Spare parts	15
15.5 Spare parts list	15

15.6 Wiring diagram	16
16. Environment and Recycling	16
17. Warranty	17

SPECIAL INFORMATION

- Observe all applicable national and regional regulations and instructions during installation.
- The appliance is not approved for outdoor installation.
- If the appliance is permanently connected to the power supply, ensure that the appliance can be separated from the power supply by an isolator that disconnects all poles with at least 1/8"/4 mm contact gap. Contactors, disconnect switches or circuit breakers can be used for this.
- Observe the safety regulation to prevent contact with dangerous 'live' currents.
- The appliance is pressurized. During the heat-up process, expansion water will drip from the safety valve.
- Regularly activate the safety valve to prevent it from becoming blocked, e.g. by limescale deposits.
- Install a type-tested safety valve in the cold water supply line.
- The maximum pressure in the cold water supply line must be at least 20 % below the response pressure the safety valve. If the maximum pressure in the cold water supply line is higher, install a pressure reducing valve.
- Size the drain so that water can drain off unimpeded when the safety valve is fully opened.
- Fit the discharge pipe of the safety valve with a constant downward slope and in a room without risk of frost.
- The safety valve discharge aperture must remain open to atmosphere.
- Never set the heat exchanger loop pressure greater than the potable (domestic) water supply pressure. If potable water pressure is too low, a booster pump may be needed to assure that it exceeds the required heat exchanger loop pressure.

OPERATION

1. General information

The chapters "Special information" and "Operation" are intended for appliance users and qualified contractors.

The chapter "Installation" is intended for qualified contractors.



Note

Read these instructions carefully before using the appliance and retain them for future reference. Pass on the instructions to a new user if required.

2. Safety

2.1 Intended use

The appliance is intended for DHW heating within the application limits. See 15.3, "Data table", pg. 14.

The appliance is intended for domestic use, i.e. it can be used safely by untrained persons. The appliance can also be used in a non-domestic environment, e.g. in a small business, as long as it is used in the same way.

Any other use beyond that described shall be deemed inappropriate. Observation of these instructions and of instructions for any accessories used is also part of the correct use of this appliance.

2.2 Incorrect use

The following are not permitted:

- Heating liquids other than potable water
- Operating the appliance with an empty DHW tank
- Operating the appliance outside the application limits (See 15.3, "Data table", pg. 14)
- Interrupting the power supply

2.3 General safety instructions

Only qualified contractors should carry out the electrical work and installation of this appliance. Qualified contractors are responsible for adherence to all applicable regulations.

Operate the appliance only when fully installed and with all safety equipment fitted.



WARNING

Contact with live components presents a threat to life. Damage to the electric insulation or to individual components may result in a threat to life.

► If there is damage to the insulation, disconnect the power supply and arrange a repair.

All work on the electrical installation must be carried out by a qualified contractor.



WARNING Scalding

The water in the DHW tank can be heated to temperatures in excess of 149 °F. There is a risk of scalding at outlet temperatures in excess of 110 °F.

► Ensure you do not come into contact with the water when discharged.



WARNING Burns

Touching hot components can lead to burns.

When working on hot components, always wear protective working clothing and safety gloves.

The pipework connected to the DHW outlet of the appliance can reach temperatures in excess of 149 °F.



CAUTION

Install temperature and pressure protective equipment required by local codes and no less than a combination temperature and pressure relief valve certified by a nationally recognized testing laboratory that maintains periodic inspection of production of listed equipment or materials, as meeting the requirements for Relief Valves and Automatic Gas Shutoff Devices for Hot Water Supply Systems, ANSI Z21.22. This value must be marked with a maximum set pressure not to exceed the marked maximum working pressure of the water heater. Install the valve into an opening provided and marked for this purpose in the water heater, and orient it or provide tubing so that any discharge from the valve exits only within 6 inches above, or at any distance below, the structural floor, and does not contact any live electrical part.



Caution

Only operate the appliance when the DHW tank has been filled.



Caution

Keep the appliance installation room free from air contaminated with oil or salt and corrosive or explosive substances.

2.4 Heat exchanger loop

The SB E tanks have an indirectly fired heat exchanger loop. This may be used in a variety of scenarios which include boiler loops, geothermal systems, radiant floor loops, etc. Since the interior of the heat exchanger is uncoated carbon steel, they must be configured in a closed loop.

Use only a mixture of inhibited propylene glycol and de-ionized water. The percentage of the glycol in the mixture depends upon the climate. Some areas require that the propylene glycol be GRAS, which is a food grade liquid (Heat exchanger type SW, AWWA Fluid Class II - see MSDS for handling instructions).

2.5 Test symbols

See 7.1.1, "Sample type plate", pg. 5.

3. Register your product


NOTE:

You must register this product within 90 days of purchase on our web site in order to activate any standard warranty or to be eligible for the extended warranty. Go to our website at: www.stiebel-eltron-usa.com and click on "Register Your Product."

Before beginning the registration process, we suggest that you gather the necessary information as follows:

Model, Example: SB 300 E (from the label that is on the side of the unit)

Number listed after "Nr."

Place of Purchase

Purchase Date

First & Last Name

Email address

Physical Address

Phone Number

If you have any questions concerning the registration process or warranty options, please contact Stiebel Eltron USA directly at (800)-582-8423.

4. Appliance description

The appliance is designed for indoor installation. The appliance is equipped to heat water through a number of different heating methods.

There are three ways that this unit can heat water:

- 3 kW electric resistance heating element
- Indirect heat via internal coil heat exchanger
- Indirect heat via auxiliary inlet/outlet ports

The entire heater and hot water system must be filled with water and have adequate air ventilation. If used, please refer to the solar collectors and the boilers installation instructions.

4.1 Heating the DHW tank

The first method of heating is by the 3 kW electric resistance heating element. This is the appliances most basic mode of operation.

An integral temperature sensor detects the thermal energy content of the amount of heat in the DHW tank. The water in the DHW tank is heated if the amount of heat is lower than that required to achieve the set temperature.

The second method of heating is by the internal coil heat exchanger. This heat exchanger is designed to have a heat transfer fluid circulate through it from an indirect heater. This indirect heater can be a closed loop solar thermal system, boiler or other traditional appliance that generates heat and transfers it through a corrosion inhibited heat transfer fluid.

The third method of heating is by auxiliary ports located on the side of the unit. These auxiliary ports offer direct access to the domestic water in the tank. A flat plate heat exchanger should be used to exchange heat between an indirect heater and the water in the tank.

If either of the last two heating methods require a temperature sensor, 2 ports are provided on the opposite side of the tank from the auxiliary and heat exchanger connections.

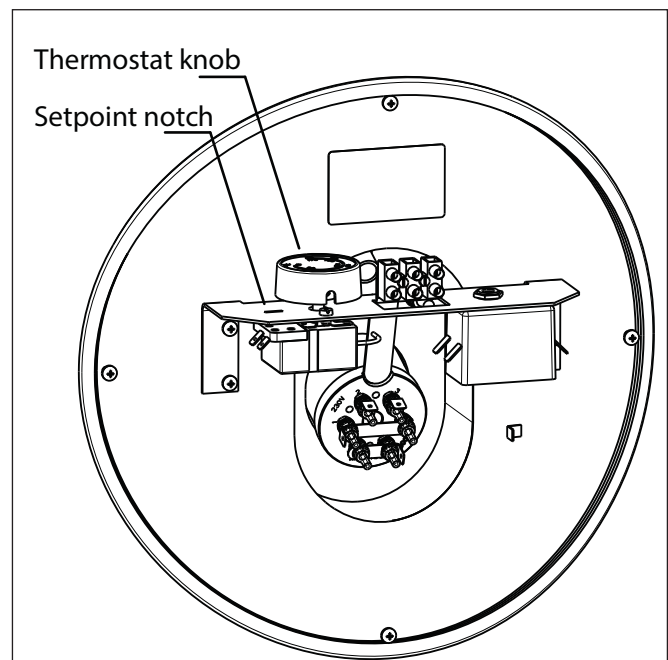
5. Using the electric heating element

A 3 kW electric heating element comes standard with this product. The element has a built-in temperature probe that detects the tank water temperature.

The appliance's 3 kW electric resistance heating element is factory preset at 125 °F (52 °C). The setpoint of the heating element can be changed easily. A knob is located under the heating element and can change the level of comfort to meet the needs of the user.

The heating element can be either unplugged during a period of disuse or removed entirely.

For convenience, the heating element can be removed from the tank without draining it.



6. Maintenance and care

Routine care and maintenance extends the life expectancy and operating safety of the hot water storage unit. The outer casing should be cleaned with a slightly damp cloth and commercially available neutral cleaning agent. This should be done on a regular basis.


WARNING


Never spray the appliance with water.
Never spray water into the appliance.


WARNING Injury

Maintenance work, such as checking the electrical safety, must only be carried out by a qualified contractor.

Appliance components	Care and maintenance tips
Casing	Use a damp cloth to clean the casing sections. Never use abrasive or corrosive cleaning agents.
DHW tank	The DHW tank is equipped with a sacrificial anode and wear indicator to safeguard it against corrosion. The wear indicator should be checked regularly. Otherwise there is a risk of corrosion.
Electric resistance heater	Check the condition of the electric resistance heater. This will extend the expected life of the element.

6.1 Temperature / pressure relief valve

 **WARNING: The T&P relief valve is designed to relieve built up pressure in the water heater. Fluid may be discharged at high temperature and/or pressure. Scalding hot water injuries can occur.**

The proper function of the Temperature / Pressure (T&P) relief valve is required to prevent damage to the hot water storage unit. The T&P valve needs to be open during cold-water filling of the unit. When water flows from the relief line at full stream, the tank is filled, and the T&P valve can be returned to its normal position.

6.2 Decalcification

With hard tap water, a deposit of scale will form on the inside of the storage unit. Based on professional experience, it is necessary to decalcify with commercially available solvents at timely intervals. Follow the manufacturers instructions for solvent use. The hot water storage unit needs to be emptied to do this process. The clean-out port cover must be removed and sediments on the tank bottom must be flushed.

6.3 Replacement of the sacrificial anode

Depending on the composition of the tap water, an inspection of the sacrificial anode at timely intervals is recommended. With heavy wear, an original equipment replacement anode must be installed to protect the inner container from corrosion. An inspection should be performed at least once per year.

7. Plumbing troubleshooting

Problem	Cause	Remedy
Inadequate water pressure	Shut-off valve is not completely open. OR Cold or hot water line is obstructed.	Open shut-off valve. Clean or replace pipes.
Hot water flow inadequate	Indirect boiler setpoint temperature is too low. Recommended 176 to 185 °F. OR Heat Exchanger is calcified.	Set boiler to recommended temperature OR Clean heat exchanger.
Hot water storage tank not being heated	Program selection at the heater control is not properly selected.	Select and set program per instructions.
Faucet flow rate inadequate	Aerator at the extraction point is blocked.	Unscrew aerator and clean.
Hot water supply exhausted too quickly	Flow rate is too high. Recommended 2.6 to 3.9 gal./min.	Restrict spigot valve rate.

7.1 Notifying a qualified contractor


If you cannot remedy a failure, notify your qualified contractor. To facilitate and speed up your request, provide the serial number from the type plate (000000-0000-00000). The type plate can be found on the left, above the "DHW outlet" connection.

7.1.1 Sample type plate

STIEBEL ELTRON Made in EU
Hecho en EU
Fabriqué en EU

SB 300 E

M-NO.: 234110
S-NO.:

<p>Technical data <i>Datos técnicos</i> <i>Données techniques</i></p> <p>Volume: <i>Volumen:</i> Volume: 293 l / 77.4 gal</p> <p>Supply: <i>Alimentación:</i> <i>Alimentation:</i> 220-240 V AC, 60 Hz SINGLE PHASE L-L ONLY</p> <p>Power: <i>Potencia:</i> <i>Puissance:</i> 3 kW / 10,239 BTU/h</p> <p>Max. pressure: <i>Presión máxima:</i> <i>Pression max:</i> 1 MPa / 145 PSI</p> <p>Testing pressure: <i>Presión de prueba:</i> <i>Pression d'essai:</i> 1.5 MPa / 217 PSI</p> <p>Standby loss: <i>Pérdida de calor:</i> <i>Pertes en mode de veille:</i> 2.8 kWh/24h</p>	<p>Heat exchanger <i>Intercambiador de calor</i> <i>Echangeur de chaleur</i></p> <p>Max. pressure: <i>Presión máxima:</i> <i>Pression max.:</i> 1 MPa / 145 PSI</p> <p>Heating surface: <i>Superficie de calefacción:</i> <i>Surface de chauffe:</i> 1.5 m² / 16.1 ft²</p> <p>Volume: <i>Volumen:</i> <i>Volume:</i> 9.5 l / 2.37 gal</p> <p>Max. temp.: <i>Temperatura máxima:</i> <i>Temp. max.:</i> 95 °C / 203 °F</p> <p style="text-align: center;">4010487</p> <p style="text-align: center;"> Intertek <small>Conforms to UL STD. 174 Certified to CAN/CSA STD. C22.2 No. 110-94</small></p>
---	--

315277-38053

STIEBEL ELTRON

Made in EU
Hecho en EU
Fabriqué en EU

SB 400 E

M-NO.: 234111
S-NO.:

Technical data
Datos técnicos
Données techniques

Volume:
Volumen:
Volume:
413 l / 109.1 gal

Supply:
Alimentación:
Alimentation:
220-240 V AC, 60 Hz
SINGLE PHASE L-L ONLY

Power:
Potencia:
Puissance:
3 kW / 10,239 BTU/h

Max. pressure:
Presión máxima:
Pression max.:
1 MPa / 145 PSI

Testing pressure:
Presión de prueba:
Pression d'essai:
1.5 MPa / 217 PSI

Standby loss:
Pérdida de calor:
Pertes en mode de veille:
3.0 kWh/24h

Heat exchanger
Intercambiador de calor
Échangeur de chaleur

Max. pressure:
Presión máxima:
Pression max.:
1 MPa / 145 PSI

Heating surface:
Superficie de calefacción:
Surface de chauffe:
1.92 m² / 20.6 ft²

Volume:
Volumen:
Volume:
11.1 l / 2.9 gal

Max. temp.:
Temperatura máxima:
Temp. max.:
95 °C / 203 °F



Intertek
Conforms to UL STD. 174
Certified to CAN/CSA STD. C22.2 No. 110-94

315298-3805-4

7.2 Safety label

CAUTION

To reduce the risk of electric shock or fire use only on a utility supply having a maximum 250 volt, three wire system.

CAUTION

Risk of Electric Shock. Connect branch circuit equipment grounding means to water heater. For detailed information, refer to instructions.

CAUTION

Risk of Electric Shock and Fire Hazard. Do not connect to supply by extension cord.

FOR INSTALLED RATING SEE ELEMENT MARKING

Install temperature and pressure protective equipment required by local codes, but not less than a combination temperature and pressure relief valve certified as meeting the requirements for Relief Valves and Automatic Gas Shutoff Devices for Hot Water Supply Systems, ANSI Z21.22, by a nationally recognized testing laboratory that maintains periodic inspection of production of listed equipment or materials. The valve must be oriented, provided with tubing, or otherwise installed so that discharge can exit only within 6 inches (15 cm) above, or at any distance below, the structural floor, and cannot contact any live electrical part.

CAUTION

If the water heater is retrofitted with supplemental heating equipment, you must adjust both the thermostat controlling the supplemental heat source (located in the water piping) and the thermostat on the water heater (behind the access panel) to the same temperature. Failure to adjust both thermostats to the same temperature can cause loss of proper temperature control.

When a supplemental heat source is connected to the appliance, a provision must be made to limit the heat source temperature not to exceed that of the water heater thermostat setting.

Safety label on the appliance

INSTALLATION

8. Safety

Only a qualified contractor should carry out the installation, commissioning, maintenance and repair of the appliance.

8.1 General safety instructions

To prevent the necessity of a warranty claim, use only original accessories and spare parts. If you need spare parts, call 800.582.8423.

8.2 Instructions, standards and regulations



Note

Observe all applicable national and regional regulations and instructions.

Take note of the appliance type plate and See 15, "Specifications", pg. 12.

9. Preparations

9.1 Transport



CAUTION Injury

- ▶ Take note of the weight of the appliance.
- ▶ Use suitable transport aids (e.g. a hand truck) and enough personnel for transportation.



Caution

- The appliance is top heavy.
- ▶ Make sure the unit is not tilted.
- ▶ Only set the appliance down on an even base.

Do not unpack the appliance until it has arrived in the final installation room.

Leave the appliance in its packaging and on the pallet. This enables horizontal transport and provides places to rest during transport.

Vehicular transport



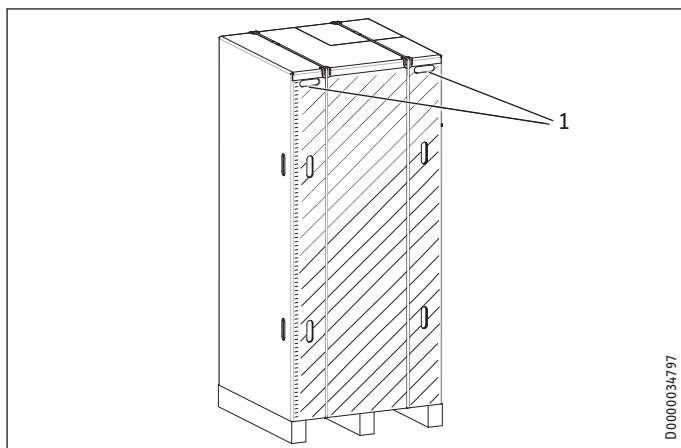
Caution

The appliance must generally be stored and transported vertically.

- ▶ Observe the information on the packaging.

INSTALLATION

Preparations



1 Recessed grips

Transport from vehicle to installation room

The cardboard box has reinforced recessed grips along the top of the appliance. You can use these recessed grips, as well as the pallet at the lower end, to carry the appliance into the installation room. Take note of the weight of the appliance and ensure a sufficient number of personnel is available for handling the appliance.

9.2 Storage

If it is necessary to store the appliance for a prolonged period before installation, observe the following information:

- Only store the appliance in a vertical position. Never store the appliance horizontally.
- Store the appliance in a location that is dry and largely dust-free.
- Protect the appliance from coming into contact with corrosive substances.

9.3 Delivery configuration

The hot water storage tank arrives with the following equipment:

- Storage unit
- Welded steel plain-ended pipe heat exchanger
- Hot water corrosion protection with special enamel coating
- Three immersion sleeves for housing of temperature probes
- Magnesium sacrificial anode
- Circulation port
- Two auxiliary heating ports
- Attached flange inspection cover
- PU foam insulation 2 in. thick
- Steel outer cover

9.4 Installation site

The appliance is not approved for outdoor installation except for garages.

Further requirements regarding the installation room and appliance positioning, to prevent appliance damage:

- The installation location must be free from flammable, highly combustible gases and substances, as well as high levels of dust.
- The installation room must be free from the risk of frost.

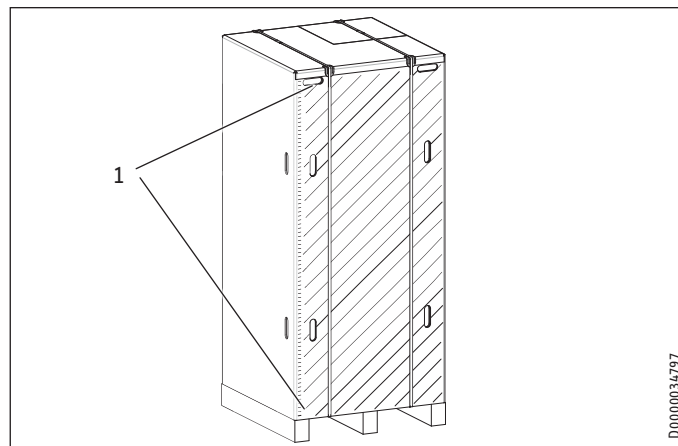
- The floor of the installation room must be level and have sufficient load bearing capacity. Take note of the weight of the appliance with a full DHW tank (See 15.3, "Data table", pg. 14). A floor with insufficient weight capacity is in danger of collapse. If the appliance is not evenly balanced, there may be a risk of appliance damage.
- Always leave sufficient distance to provide access for installation, maintenance and cleaning. Observe the required minimum clearances (See 9.5, "Siting the appliance", pg. 7).
- Ensure that the operation of other equipment in the installation room is not impaired.
- To reduce the required plumbed tube length, install the unit very close to the point.

The following installation locations are not permissible, due to risk of appliance damage:

- Locations where the air is contaminated with oil or salt
- Saline environments
- Areas in proximity to high frequency machines
- Places where the air contains ammonia (e.g. sewage works)
- Places where the air contains chlorine (e.g. swimming pools)
- Generally places where the air is strongly contaminated, e.g. due to dust, or contains aggressive substances

9.5 Siting the appliance

- Carefully undo the cardboard packaging at the clips.

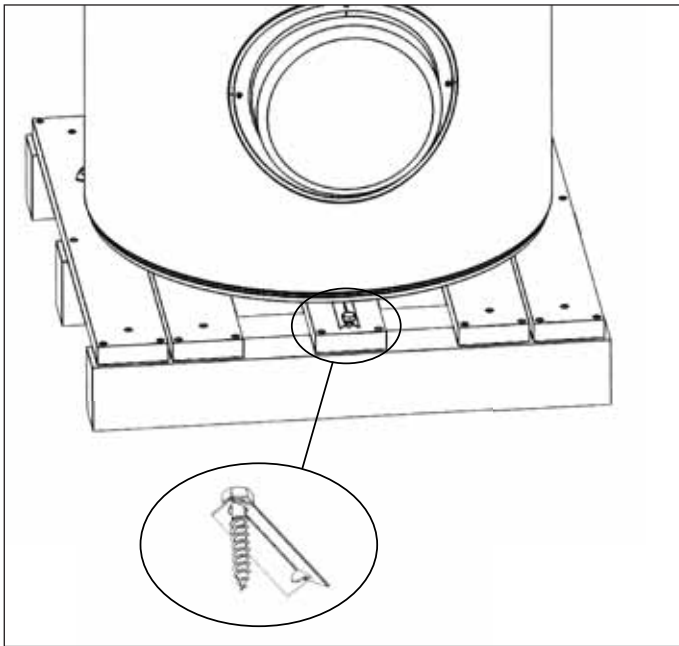


1 Cardboard packaging clips

The appliance is secured to the pallet with metal brackets and screws. The metal brackets are hooked on to the feet underneath the floor plate of the appliance.

INSTALLATION

Installation



1 Metal bracket fixing screw

- ▶ Remove the fixing screw of the metal bracket from the pallet.
- ▶ Tilt the appliance to the side for each foot. Screw out the adjustable tank foot, remove the brackets, and screw in the adjustable tank foot.

Caution
Take note of the appliance's weight and top-heaviness.

- ▶ Slightly tip the appliance and carefully roll the appliance off the pallet.
- ▶ Bring the appliance in its final location.

Minimum clearances

- ▶ Maintain the minimum clearances.

Caution
The appliance must be straightened vertically to avoid appliance damage. The feet under the floor plate of the appliance are height-adjustable.

- ▶ Level the appliance horizontally using the height-adjustable feet.

10. Installation

WARNING Injury
Incorrect installation can lead to serious personal injury. Before any work, ensure sufficient clearances for the installation. Handle sharp-edged components carefully.

10.1 Water connection

Caution
Carry out all water connection and installation work in accordance with local plumbing regulations.

The following material combinations are approved for metal pipework installations:

Cold water inlet	DHW outlet
Copper pipe	Copper pipe
Steel pipe	Steel pipe or copper pipe

- ▶ Thoroughly flush the pipework before connecting the appliance. Foreign bodies, such as welding pearls, rust, sand or sealant can impair the operational reliability of the appliance.

Caution
To protect the stubs against corrosion the water tube connection must be made with flat gaskets. The use of hemp on stub threads is not permissible.

Safety valve

The appliance is a sealed unvented DHW tank. Provide the appliance with a pressure relief valve.

- ▶ Install a type-tested safety valve in the T&P port on the side of the unit. The response pressure of the safety valve must be below or equal to the permissible operating pressure of the DHW tank.

The safety valve protects the appliance against unacceptable excess pressure.

- ▶ Ensure that the expansion water escaping from the safety valve can drip into a drain, e.g. a tank or sink.

Ensure the drain cannot be shut off.

- ▶ Size the drain in a way that water can drain off unimpeded when the safety valve is fully opened.
- ▶ Ensure that the discharge pipe of the safety valve is open to atmosphere.
- ▶ Fit the discharge pipe of the safety valve with a constant downward slope and in a room free from the risk of frost.

Pressure reducing valve

The maximum pressure in the cold water supply line must be at least 20 % below the response pressure the safety valve. If the maximum pressure in the cold water supply line is higher, install a pressure reducing valve.

Drain valve

- ▶ Install a suitable drain valve at the lowest point in the cold water inlet line.

DHW circulation

The heat losses incurred in the DHW circulation line and the electrical power consumption of the circulation pump reduce the efficiency of the system. The cooled water in the circulation line mixes with the tank content. Where possible, avoid installing a DHW

INSTALLATION

Installation

circulation line. Where that is not possible, the DHW circulation pump must be controlled thermally or by time switch.

Thermal insulation

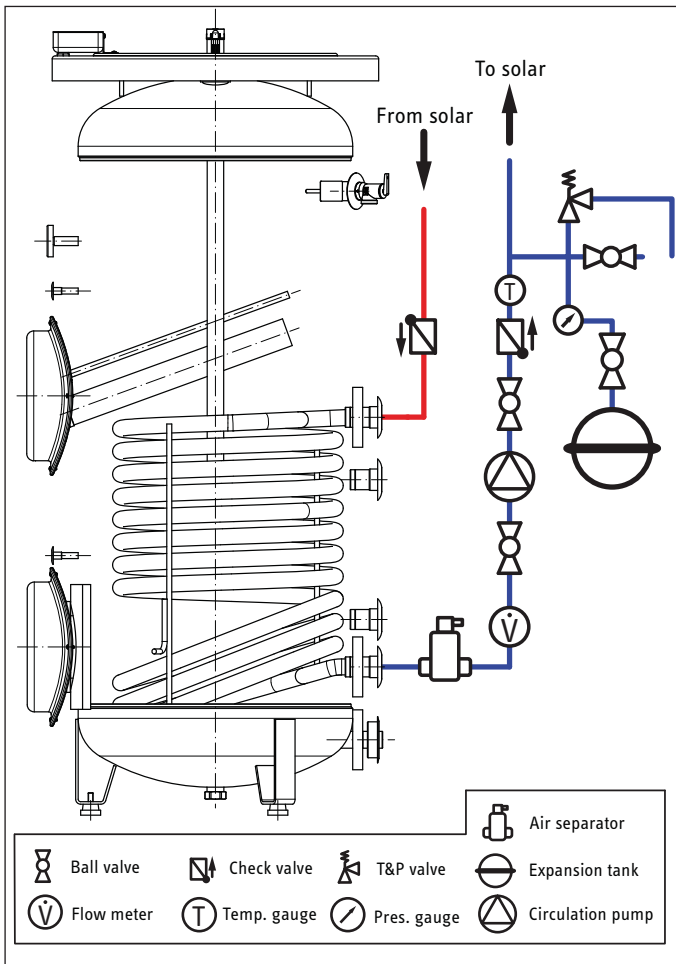
- Insulate the DHW line against heat loss in accordance with locally applicable regulations.

10.2 Heating connection

The heating system can be configured in a variety of ways. The methods described here are for the most common installation method. For more questions on installation and configuration of the heating system, contact Stiebel Eltron.

10.2.1 Connecting to the internal coil heat exchanger

The internal coil heat exchanger connections are 1" NPT female. A common use of this coil is for closed-loop solar thermal applications, like in the below image.

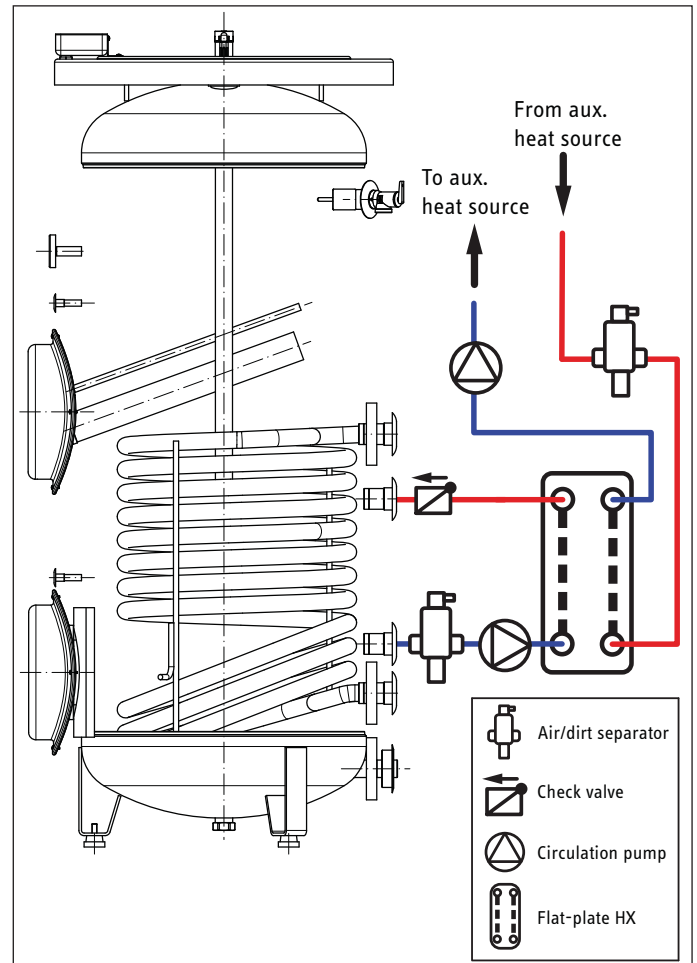


- A few necessary features of this system include:
- Corrosion inhibiting propylene glycol
 - Air separator/eliminator
 - Circulation pump

10.2.2 Connecting to the auxiliary ports

The auxiliary ports can be used to add another heating source, or to supply heat stored in the tank to another location. If the

auxiliary ports are unused for heating, they can be used for a DHW recirculation loop.



It is necessary for both sides of the heat exchanger to have circulation pumps and air/dirt separators. A check valve is also recommended to prevent thermosiphoning.

Consult your local plumbing code for requirements regarding heat exchanger properties (double wall, brazed, stainless steel, etc.)

10.3 Power supply



WARNING

Carry out all electrical connection and installation work in accordance with national and regional regulations.

If the appliance is permanently connected to the power supply, ensure that the appliance can be separated from the power supply by an isolator that disconnects double terminal with at least 3 mm contact gap. Contactors, mains isolators or fuses can be used for this.

Disconnect the appliance from the power supply before carrying out work on the control panel. Prevent the power supply from being switched on while you are working on the system. Ensure the appliance is earthed according to locally applicable requirements.

10.3.1 Installing the power cable

INSTALLATION

Commissioning

 **Caution**
Never connect the appliance to the power supply before the DHW tank is filled.

The power to this appliance is delivered with a power cable with a mains plug.

- ▶ Use minimum 14-2 (with ground) AWG copper wire for installation. For long wire lengths, you may need to increase the gauge size. Always install in accordance with all national and local electrical codes.
- ▶ Unit shall be connected to a 15 A dual pole breaker.
- ▶ Using the 14-2 wire (or larger if the code calls for it), connect the 14-2 wire to the 3 wires in the junction box as shown.
- ▶ Use the proper strain relief grommet where the wire enters the junction box.

See 15.6, "Wiring diagram", pg. 16.

11. Commissioning

11.1 Commissioning

 **Caution**
Never connect the appliance to the power supply before the DHW tank is filled.

11.1.1 Filling the DHW tank

Fill the DHW tank and vent the pipework by following the procedure below:

- ▶ Close the drain valve.
- ▶ Open all DHW tap points and the shut-off valve in the cold water supply.
- ▶ Close the DHW tap points as soon as water starts to emerge from them.


11.1.2 Appliance handover

- ▶ Explain the appliance function to users and familiarize them with its operation.
- ▶ Make users aware of potential dangers, especially the risk of scalding.
- ▶ Make users aware of critical environmental factors and requirements concerning the installation location.
- ▶ Inform users that water may drip from the safety valve during the heating operation.
- ▶ Hand over these operating and installation instructions to users for safe-keeping.

11.2 Recommissioning

If the appliance is switched off due to an interruption to the power supply, no specific measures for restarting are required once the power supply has been restored.

12. Shutting down

 **Caution**
If the appliance is disconnected from the power supply, it is no longer protected against frost.
▶ Only disconnect the appliance from the power supply for longer periods if you are also draining the DHW tank.


If there is no usage of hot water for a long period of time, always drain the DHW tank. See 14.2, "Draining the tank", pg. 11.

The appliance can only be switched off by interrupting the power supply.

- ▶ Pull the mains plug from the socket or disconnect the appliance from the mains in the fuse box.

13. Electrical Troubleshooting


 **WARNING Risk of Electric Shock**
Prior to all work on the appliance, isolate it from the power supply.

 **Caution**
If you disconnect the appliance from the power supply, it is no longer protected against frost.
▶ Only disconnect the appliance from the power supply for longer periods if you are also draining the DHW tank.

- ▶ For work on the electric heating element, remove the heating element cover (See 14.1, "Removing the heating element cover", pg. 11).

If the unit does not provide hot water, then the heating element is likely not heating the water.

- 1 Check that the circuit breaker is in the on position. Reset if necessary.
- 2 Inspect the connections inside the junction box. Repair if necessary.
- 3 Check the voltage at the junction box connections. The voltage should be 240 VAC.
- 4 Check for proper resistance of the heating element.
 - ▶ Turn off circuit breaker.
 - ▶ Disconnect wire nuts on L1 and L2 and separate wires.
 - ▶ Measure the resistance between the two black wires going into the conduit of the tank. It should measure $17.6 \Omega \pm 10\%$.
 - ▶ If the measurement is off, there may be an internal wiring problem or a faulty heating element. Call Stiebel Eltron for technical support.

 **Note**
Refit the heating element cover after completing your work. See 14, "Maintenance and cleaning", pg. 11).

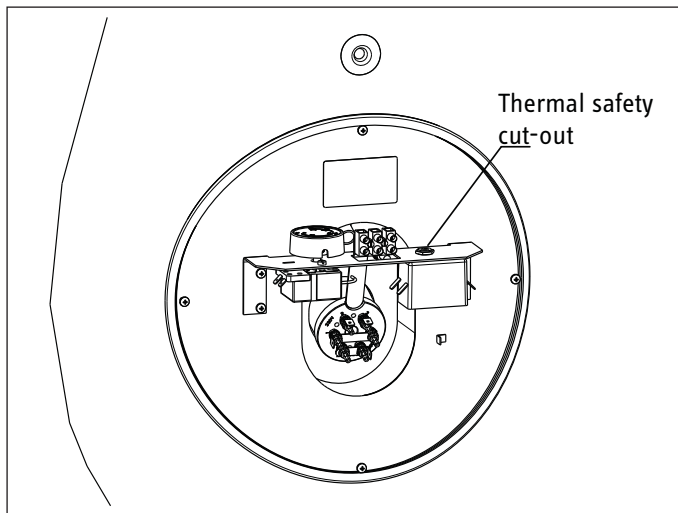
INSTALLATION

Maintenance and cleaning

13.1 Resetting the high limit safety cut-out

The high limit safety cut-out protects the appliance from overheating. The cut-out switches off the electric element when the tank water temperature exceeds 199-208 °F.

Once the cause of the failure has been removed, press the reset button of the high limit safety cut-out on the rod thermostat. To do so, remove the appliance cover.



- ▶ Open one tap in one sink.

Some residual water will remain in the lower section of the DHW tank.

14.3 Descaling the electric element

Only descale the flange of the electric booster heater after removing it, and never treat the interior of the DHW tank and the sacrificial anode with descaling agents.

14.4 Valves

Regularly check the system's valves (safety valve, pressure reducing valve, drain valve, vacuum breaker, mixing valve), to ensure the operational reliability of the appliance. The amount of limescale deposits depends on the local water quality.

- ▶ Check all valves in the system and remove limescale deposits.
- ▶ Replace the valves if necessary.
- ▶ Check the function of the valves.
- ▶ Whether a sand filter is installed.

14.5 Replacing the electric element cover



WARNING

- ▶ Reconnect the earth cable to the appliance cover.

- ▶ Place cover back in its original position.
- ▶ Secure the screws holding the cover onto the appliance.

14. Maintenance and cleaning



WARNING

Prior to all work on the appliance, isolate it from the power supply.

14.1 Removing the heating element cover

- ▶ Undo the screws that fasten the heating element cover to the appliance.
- ▶ Pull off the cover.



Note

Refit the heating element cover after completing your work.

14.2 Draining the tank



WARNING Burns

Hot water may escape when draining the DHW tank.

To drain the DHW tank, e.g. when shutting the appliance down, proceed as follows:

- ▶ Unplug the appliance from the power supply.
- ▶ Close the shut-off valve in the cold water supply line.

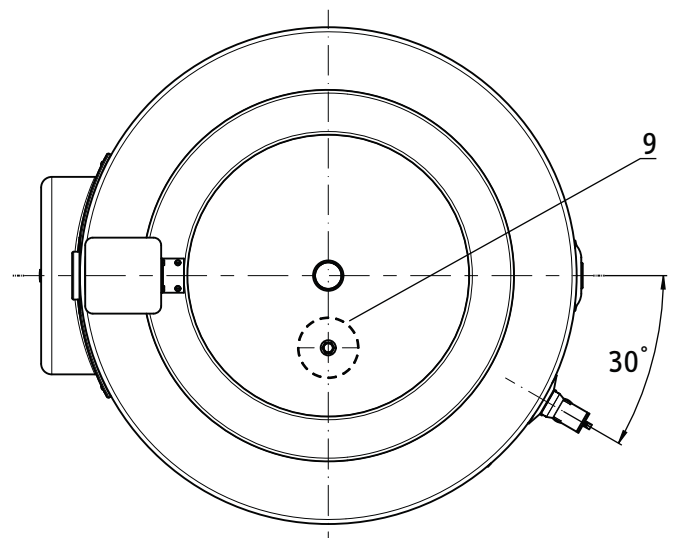
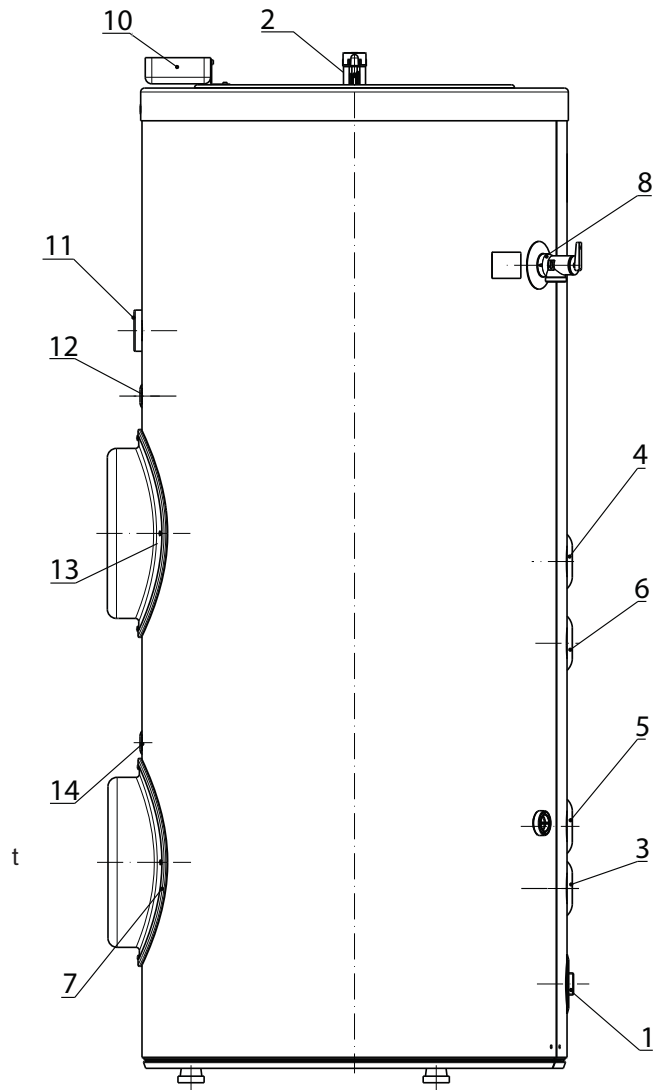
The DHW tank is drained via the cold water supply line.

- ▶ Open the drain valve installed in the cold water supply line (See 10.1, "Water connection", pg. 8). If no drain valve has been installed, undo the cold water supply line at the "cold water inlet" connection.

15. Specifications

15.1 Features

1	Cold water inlet
2	Hot water outlet
3	Lower heat exchanger port
4	Upper heat exchanger port
5	Lower auxiliary port
6	Upper auxiliary port
7	Clean-out port
8	T&P valve port
9	Anode replacement indicator
10	Junction box
11	Analog thermometer
12	Upper temperature sensor sleeve
13	Electric heating element
14	Lower temperature sensor sleeve

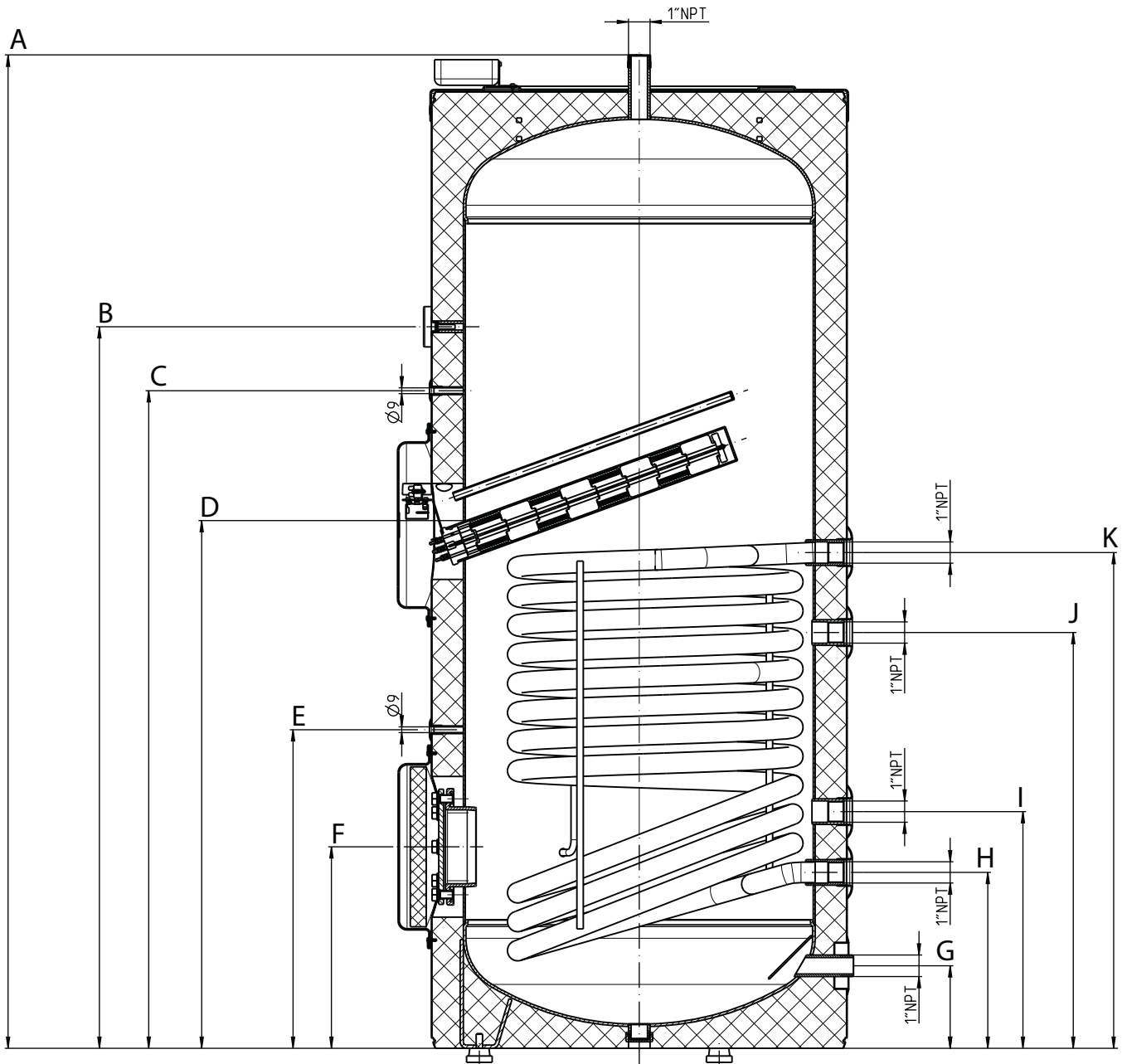


INSTALLATION Specifications

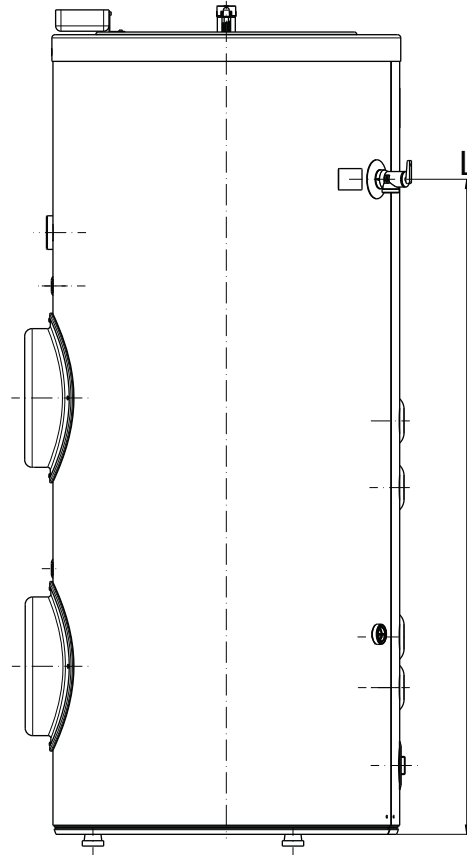
15.2 Dimensions

	SB 300 E	SB 400 E	Connection	
A	Height to hot water outlet (overall height)	61 ¹ / ₈ in. / 1552 mm	60 ¹³ / ₁₆ in. / 1544 mm	1" NPT male
B	Height to thermometer	44 ⁷ / ₁₆ in. / 1128 mm	45 ¹ / ₁₆ in. / 1145 mm	
C	Height to upper temperature sensor sleeve	40 ¹ / ₂ in. / 1028 mm	42 ³ / ₄ in. / 1085 mm	Ø 9mm
D	Height to heating element port	32 ¹ / ₂ in. / 825 mm	34 ⁷ / ₈ in. / 886 mm	
E	Height to lower temperature sensor sleeve	30 ¹ / ₂ in. / 775 mm	32 ¹¹ / ₁₆ in. / 830 mm	Ø 9mm
F	Height to clean-out port	12 ³ / ₈ in. / 315 mm		Ø 115mm
G	Height to cold water inlet	5 ¹ / ₁₆ in. / 129 mm	4 ⁵ / ₁₆ in. / 110 mm /	1" NPT male
H	Height to heat exchanger lower port	10 ¹³ / ₁₆ in. / 275 mm	11 in. / 280 mm	1" NPT female
I	Height to auxiliary heat source lower port	14 ⁹ / ₁₆ in. / 370 mm		1" NPT female
J	Height to auxiliary heat source upper port	25 ⁹ / ₁₆ in. / 650 mm	27 ⁹ / ₁₆ in. / 700 mm	1" NPT female
K	Height to heat exchanger upper port	19 ⁵ / ₈ in. / 498 mm		1" NPT female
L	Height to T&P valve port	48.3 in. / 1228 mm		¾" NPT female

ENGLISH



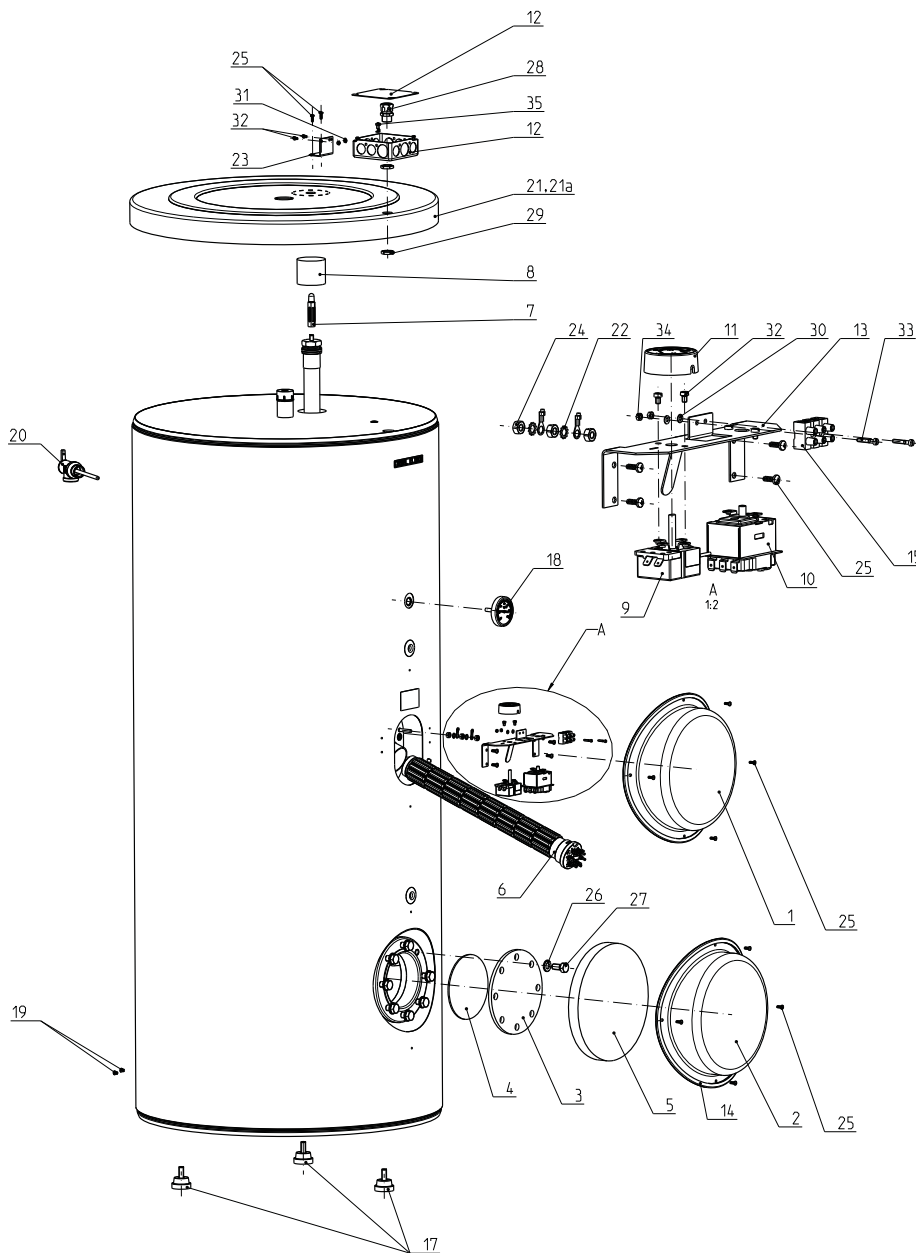
INSTALLATION Specifications



15.3 Data table

	SB 300 E	SB 400 E
	234110	234111
Hydraulic data		
Nominal capacity	300 l / 79.3 gal.	400 l / 105.6 gal
Water volume	293 l / 77.4 gal.	413 l / 109.1 gal
Internal coil heat exchanger volume	9.5 l / 2.4 gal.	11.1 l / 2.9 gal
Internal coil heat exchanger area	1.5 m ² / 16.1 ft ²	1.9 m ² / 20.6 ft ²
Heating element		
Heating element voltage	220-240	
Heating capacity	3.0 kW/ 10,239 BTU/hr	
Frequency	60	
Rated current	12.5 A	
Required circuit breaker	20 A	
Heating element type	Dome element	
Heating element material	Ceramic	
Temperature control	Knob with °F & °C scale under the heating element cover	
Set range of thermostat	86 °F-167 °F / 30 °C-75 °C	
Miscellaneous		
Maximum allowed pressure (tank)	145 PSI / 10 bar	
Maximum allowed pressure (heat exchanger)	145 PSI / 10 bar	
Maximum tank temperature	203 °F / 95 °C	
Tank heat loss in 24 hours at 149°F / tank temperature	2.8 kWh / 9,553 BTU	3.0 kWh / 10,236 BTU
Empty weight	313 lb / 142 kg	399 lb / 181 kg
Filled weight	1,010 lb / 458 kg	1,334 lb / 605 kg
Type of anode	Magnesium with wear indicator	
Dimensions		
Height	61 1/8 in. / 1552 mm	60 13/16 in. / 1544 mm
Diameter	25 9/16 in. / 650 mm	29 1/2 in. / 750 mm
Insulation thickness	2 in. / 50 mm	
Diameter without insulation	21 5/8 in. / 550 mm	25 9/16 in. / 650 mm

15.4 Spare parts

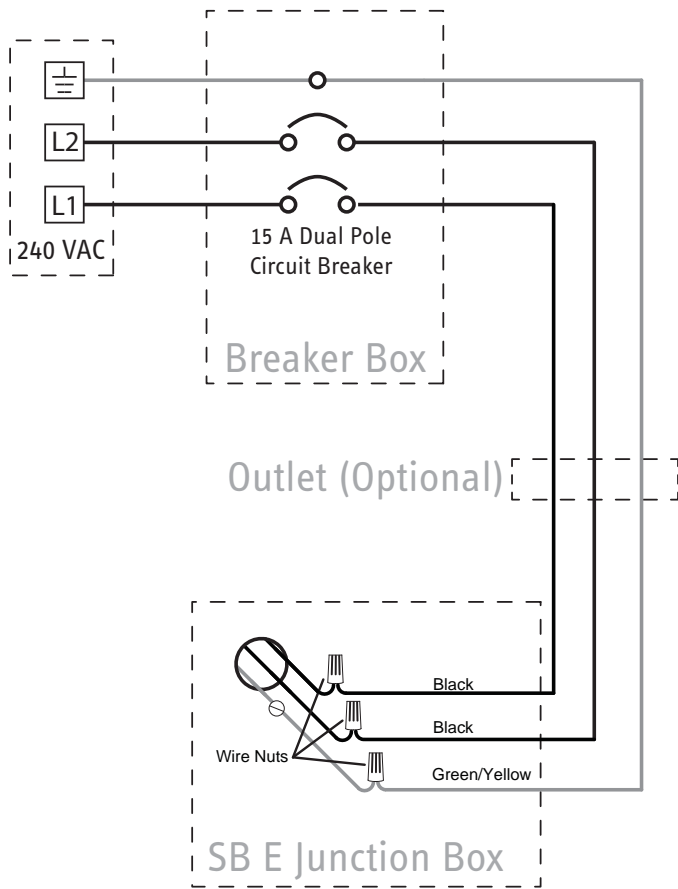


15.5 Spare parts list

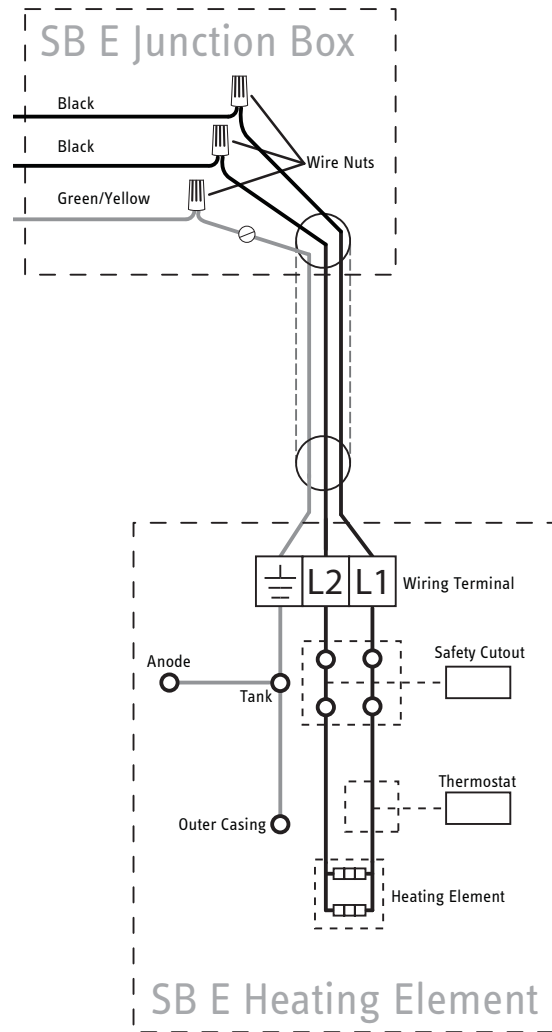
Pos.	Name	Part #
1	Heating element assembly cover	315268
2	Clean-out port cover	315266
3	Enameled flange	309859
4	Flange gasket	315300
5	Foam insulation for clean-out port	299891
6	3 kW heating element	296391
7	Segmented sacrificial anode 1 1/4"	143499
8	Anode sleeve	166375
9	Thermostat	269978
10	Thermal safety cut-out	279006
11	Thermostat knob	315423
12	Junction box 4x4"	315357
13	Electric element holder	315269
14	Gasket cap	298307
15	Terminal block	309566
16	Connection cable (not shown)	315272
17	Adjustable tank foot	291975
18	Thermometer (32-248 °F)	315265

19	Rivets for outer jacket	298745
20	T&P valve 100 PSI	315664
21	Top cover for SB 300 E	315264
21a	Top cover for SB 400 E	315297
22	Washer for thermostat (DIN 6797-A6.4)	
23	Junction box holder	315271
24	Nut for thermostat (I4032-M6)	
25	Screw for element holder (DIN7981-M4.2x16)	
26	Washer for clean-out port (125-A13-140)	
27	Bolt for clean-out port (DIN 933-M12x25)	
28	Cable gland	298306
29	Junction box nut	315287
30	Washer (125-3.2-140HV-ZN)	
31	Nut (I4032-M 4-4-A0E)	
32	Screw for thermostat (DIN7985-M4x6)	
33	Screw for terminal block (I4075-M3-18)	
34	Nut for terminal block (I4032-M3-6)	
35	Screw (DIN 7500 CE M5x8-Z-AoE)	
	Cable loop	315273
	Insulating bushing	315540

15.6 Wiring diagram



The above wiring diagram shows the connection between the circuit breaker and the SB E junction box.



The above wiring diagram shows the internal pre-wired connection of the SB E.

16. Environment and Recycling

We ask you to help protect the environment. After use, dispose of the various materials in accordance with national and local regulations.

17. Warranty

DHW SOLAR & INDIRECT STORAGE TANKS

All SB 150 S, SB 200 S, SB 300 E, SB 400 E, SBB 300 S, SBB 400 S, SBB 300 Plus, SBB 400 Plus, & SBB 600 Plus Models

LIMITED WARRANTY

Subject to the terms and conditions set forth in this limited lifetime warranty, Stiebel Eltron, Inc. (the "Manufacturer") hereby warrants to the original purchaser (the "Owner") that each storage tank (the "Tank") shall be free from defects in the Manufacturer's materials or workmanship for a period of:

1. (Lifetime) for the tank and heat exchanger from the date of purchase;
2. (8 Years) for part(s) not referenced above from the date of purchase;
3. (Excluded) sacrificial anode

As Owner's sole and exclusive remedy for the above warranty, Manufacturer shall, at the Manufacturer's discretion, either factory repair or replace the defective Tank with a replacement unit or part(s) with comparable operating features. Manufacturer's maximum liability under all circumstances shall be limited to the Owner's purchase price for the Tank.

This limited warranty shall be the exclusive warranty made by the Manufacturer and is made in lieu of all other warranties, express or implied, whether written or oral, including, but not limited to warranties of merchantability and fitness for a particular purpose. Manufacturer shall not be liable for incidental, consequential or contingent damages or expenses arising directly or indirectly from any defect in the Tank or the use of the Tank. Manufacturer shall not be liable for any water damage or other damage to property of Owner arising, directly or indirectly, from any defect in the Tank or the use of the Tank. Manufacturer alone is authorized to make all warranties on Manufacturer's behalf and no statement, warranty or guarantee made by any other party shall be binding on Manufacturer.

Manufacturer shall not be liable for any damage whatsoever relating to or caused by:

1. any misuse or neglect of the Tank, any accident to the Tank, any alteration of the Tank, or any other unintended use;
2. acts of God and circumstances over which Manufacturer has no control;
3. installation of the Tank other than as directed by Manufacturer and other than in accordance with applicable building codes;
4. improper installation and/or improper materials used by any installer and not relating to defects in parts or workmanship of Manufacturer;
5. failure to maintain the Tank or to operate the Tank in accordance with the Manufacturer's specifications;
6. failed components not originally installed by the Manufacturer as a part of the unit at the time of sale;
7. exposure to freezing conditions;

8. exposure to harmful chemicals, contaminated water, corrosive fluids or atmosphere, liquids harmful to steel tubing including improperly applied or maintained heat transfer fluids.
9. utilizing the tank as an open loop heat exchanger, e.g., do not use in drainback systems or continually pass fresh potable water through the units internal heat exchanger.
10. installing the Tank in a closed system without a properly sized and installed thermal expansion tank;
11. operating the Tank without the factory installed sacrificial anode;
12. operating the Tank under fluctuating or excessive water pressure or in the event the Tank is supplied with non-potable water for any duration;
13. operating the Tank when it is empty or partially full of potable water;
14. Installing and operating the Tank outdoors;
15. operating the Tank at temperatures higher than recommended by Manufacturer;
16. (SB E models) replacing the electric heating element with a unit not manufactured by Stiebel Eltron or greater in power than the originally installed element;
17. (SB E models) connecting the Tank to improper voltage or service;

Should owner wish to return the Tank to manufacturer for repair or replacement under this warranty, Owner must first secure written authorization from Manufacturer. Owner shall demonstrate proof of purchase, including a purchase date, and shall be responsible for all removal and transportation costs. If Owner cannot demonstrate a purchase date this warranty shall be limited to the period beginning from the date of manufacture stamped on the Tank. Manufacturer reserves the right to deny warranty coverage upon Manufacturer's examination of the Tank. This warranty is restricted to the Owner and cannot be assigned.

Some States and Provinces do not allow the exclusion or limitation of certain warranties. In such cases, the limitations set forth herein may not apply to the Owner. In such cases this warranty shall be limited to the shortest period and lowest damage amounts allowed by law. This warranty gives you specific legal rights and you may also have other rights which vary from State to State or Province to Province.

Owner shall be responsible for all labor and other charges incurred in the removal or repair of the Tank in the field. Please also note that the Tank must be installed in such a manner that if any leak does occur, the flow of water from any leak will not damage the area in which it is installed.

This Warranty is valid for all purchases on or after October 1, 2014.

This Warranty is valid for U.S.A. & Canada only. Warranties may vary by country. Please consult your local Stiebel Eltron Representative for the Warranty for your country.

STIEBEL ELTRON

17 West Street
West Hatfield, MA 01088

TOLL FREE 800.582.8423

PHONE 413.247.3380

FAX 413.247.3369

info@stiebel-eltron-usa.com

www.stiebel-eltron-usa.com

NOTES

INFORMACIÓN ESPECIAL

FUNCIONAMIENTO

1. Información general _____ **20**

2. Seguridad _____ **20**

2.1 Uso correcto _____ 20

2.2 Uso incorrecto _____ 20

2.3 Instrucciones generales de seguridad _____ 20

2.4 Circuito del intercambiador del agua _____ 20

2.5 Símbolos de prueba _____ 21

3. Registre su producto _____ **21**

4. Descripción del artefacto _____ **21**

4.1 Calentamiento del tanque de agua _____ 21

5. Uso del calentador eléctrico de refuerzo _____ **21**

6. Cuidado y mantenimiento _____ **22**

6.1 Válvula de alivio de temperatura / presión _____ 22

6.2 Descalcificación _____ 22

6.3 Reemplazo del ánodo de sacrificio _____ 22

7. Resolución de problemas de plomería _____ **22**

7.1 Informar a un técnico calificado _____ 23

7.2 Etiqueta de seguridad _____ 23

8. Seguridad _____ **23**

8.1 Instrucciones generales de seguridad _____ 23

8.2 Instrucciones, normas y regulaciones _____ 23

9. Preparativos _____ **24**

9.1 Transporte _____ 24

9.2 Almacenamiento _____ 24

9.3 Configuración de la entrega _____ 24

9.4 Lugar de instalación _____ 24

9.5 Colocación del artefacto _____ 25

10. Instalación _____ **25**

10.1 Conexión de tuberías _____ 25

10.2 Conexión de calentamiento _____ 26

10.3 Suministro eléctrico _____ 27

11. Puesta en marcha _____ **27**

11.1 Puesta en marcha _____ 27

11.2 Reinicio _____ 27

12. Apagado _____ **28**

13. Resolución de problemas eléctricos _____ **28**

13.1 Reinicio después del corte de seguridad por exceso del límite de temperatura _____ 28

14. Limpieza y mantenimiento _____ **28**

14.1 Remoción de la cubierta del calentador de refuerzo _____ 28

14.2 Drenaje del tanque _____ 28

14.3 Limpieza del depósito de cal del calentador eléctrico de refuerzo _____ 29

14.4 Válvulas _____ 29

14.5 Reemplazo de la cubierta del calentador eléctrico de refuerzo _____ 29

15. Especificaciones _____ **29**

15.1 Características _____ 29

15.2 Dimensiones _____ 30

15.3 Tabla de datos _____ 31

15.4 Repuestos _____ 32

15.5 Lista de repuestos _____ 33

15.6 Diagrama de instalación eléctrica _____ 33

16. Medio ambiente y reciclaje _____ **34**

INFORMACIÓN ESPECIAL

- Respete todas las regulaciones e instrucciones nacionales y regionales pertinentes durante la instalación.
- El artefacto no es apto para instalar en exteriores.
- Si el artefacto está permanentemente conectado al suministro eléctrico, se debe establecer una manera de separarlo de la red eléctrica mediante un aislante que desconecte todos los polos con al menos 4 mm (1/8") de distancia entre contactos. Para ello, es posible usar contactores, interruptores de desconexión o disyuntores.
- Respete las regulaciones de seguridad para evitar el contacto con piezas peligrosas que conduzcan la electricidad.
- El artefacto se encuentra presurizado al expandirse el agua durante el proceso de calentamiento, parte del agua escapará por la válvula de seguridad.
- Active con regularidad la válvula de seguridad para evitar que se bloquee, por ejemplo, por depósitos de cal.
- Instale una válvula de seguridad testeada para el tipo específico en la red de suministro de agua fría.
- La presión máxima de la red de suministro de agua fría debe ser al menos un 20% menor que la presión de respuesta de la válvula de seguridad. Si la presión máxima de la red de suministro de agua fría supera la presión de respuesta de la válvula de seguridad, instale una válvula de reducción de presión.
- El drenaje debe tener un tamaño suficiente para que el agua pueda drenar de forma ininterrumpida cuando la válvula de seguridad está totalmente abierta.
- Instale el tubo de descarga de la válvula de seguridad con una pendiente descendiente constante y en una habitación que lo proteja contra la escarcha.
- La abertura de descarga de la válvula de seguridad debe tener salida al aire libre.
- La presión del circuito del intercambiador de calor nunca debe fijarse de manera que supere a la presión de la red de suministro de agua (doméstica) potable. En caso de que la presión del agua potable sea demasiado baja, es posible que deba utilizar una bomba de refuerzo a fin de garantizar que supere la presión requerida del circuito del intercambiador de calor.

FUNCIONAMIENTO

1. Información general

Los capítulos “Información especial” y “Funcionamiento” están destinados a usuarios e instaladores autorizados.

El capítulo “Instalación” está destinado solo a instaladores autorizados.



Nota

Lea estas instrucciones atentamente antes de usar el artefacto y consérvelas para consultas futuras. Entregue las instrucciones a cualquier nuevo usuario que las necesite.

2. Seguridad

2.1 Uso correcto

El artefacto está diseñado para el calentamiento del agua doméstica dentro de los límites de aplicación. Véase 15.3, “Tabla de datos”, pág. 31

El artefacto está diseñado para el uso doméstico, es decir, no hace falta un entrenamiento especial para utilizarlo con seguridad. El artefacto también puede usarse en un entorno no doméstico, por ejemplo una pequeña empresa, con la condición de que se utilice de la misma manera.

Cualquier otro uso que no esté estipulado se considerará inapropiado. El cumplimiento de estas instrucciones y de las instrucciones de uso de cualquier accesorio también forma parte del uso correcto del calentador.

2.2 Uso incorrecto

Los siguientes usos no están permitidos:

- Calentar otro líquido que no sea agua potable
- Hacer funcionar el artefacto con el tanque de agua vacío
- Hacer funcionar el artefacto fuera de los límites de aplicación (Véase 15, “Especificaciones”, pág. 29)
- Interrumpir el suministro de electricidad

2.3 Instrucciones generales de seguridad

Solo los instaladores autorizados deben realizar los trabajos relacionados con la electricidad y la instalación de este artefacto. Los instaladores autorizados son responsables de cumplir con todas las regulaciones pertinentes.

Haga funcionar el artefacto solo cuando se haya completado la instalación y tenga incorporados todos los elementos de seguridad.



ADVERTENCIA

El contacto con partes que conducen electricidad pone en riesgo la vida. Los daños en el aislante eléctrico o las piezas individuales pueden poner en riesgo la vida.
► Si existen daños en el aislante, corte el suministro de electricidad y solicite una reparación.
Todos los trabajos relacionados con la electricidad deben ser llevados a cabo por un electricista calificado.



ADVERTENCIA Quemaduras por agua caliente

El agua del tanque puede calentarse hasta alcanzar temperaturas que superan los 149 °F/65 °C. Existe el riesgo de quemaduras por agua caliente cuando la temperatura del agua que sale supera los 110 °F/43 °C.
► Asegúrese de no entrar en contacto con el agua que sale durante la descarga.



ADVERTENCIA Quemaduras

El contacto con piezas calientes puede causar quemaduras.
Cuando trabaje cerca de las piezas calientes, utilice siempre indumentaria de protección y guantes de seguridad.
Las tuberías conectadas a la salida de agua caliente del artefacto pueden alcanzar temperaturas superiores a los 149 °F/65 °C.



PRECAUCIÓN

Instale equipos de protección de la temperatura y la presión requeridos por los códigos locales y al menos una válvula combinada de alivio de temperatura y presión certificada por un laboratorio de pruebas reconocido a nivel nacional que realice inspecciones periódicas de la producción de los equipos o materiales enumerados, cumpliendo con los requisitos para Válvulas de Alivio y Artefactos de Cierre de Gas Automáticos para Sistemas de Suministro de Agua Caliente, ANSI Z21.22. Esta válvula debe marcarse con una presión de ajuste máxima que no supere la presión de trabajo máxima marcada del calentador de agua. Instale la válvula en una abertura provista y marcada para este propósito en el calentador de agua, y oriéntela o instale las tuberías de manera que cualquier escape de la válvula salga solo a 152 mm (6 pulgadas) por encima, o a cualquier distancia por debajo del piso estructural, y que no entre en contacto con ninguna pieza que conduzca electricidad.



Precaución

Haga funcionar el artefacto solamente con el tanque de agua lleno.



Precaución

Mantenga el ambiente donde se instaló el artefacto libre de aire contaminado con aceite o sales, o sustancias corrosivas o explosivas.

2.4 Circuito del intercambiador del agua

Los tanques SB E cuentan con un circuito del intercambiador de calor a fuego indirecto. Puede utilizarse en diversos entornos que incluyen circuitos de caldera, sistemas geotérmicos, circuitos de

piso radiante, etc. Debido a que el interior del intercambiador de calor es de acero al carbono no revestido, debe configurarse en un circuito cerrado.

Utilizar únicamente una mezcla de propilenglicol inhibido y agua desionizada. El porcentaje de glicol en la muestra depende del ambiente. Algunas áreas requieren que el propilenglicol sea reconocido generalmente como seguro (GRAS), es decir, un líquido apto para uso alimentario (Intercambiador de calor tipo SW, Líquido Clase II de la Asociación Estadounidense de Obras Hidráulicas – véase la Hoja de datos sobre la seguridad de los materiales para conocer las instrucciones de manipulación.

2.5 Símbolos de prueba

Véase 7.1.1, “Ejemplo de placa de identificación”, pág. 23

3. Registre su producto



NOTA:

Debe registrar este producto en un plazo de 90 días desde la compra a través de nuestra página web para activar cualquier garantía estándar o para optar a la ampliación de la garantía. Visite nuestra página web www.stiebel-eltron-usa.com y haga clic en “Registre su producto”.

Antes de comenzar el proceso de registro, le sugerimos que recomplete la siguiente información que necesitará:

Modelo; ejemplo: SB 300 E (tomado de la etiqueta situada en el lado de la unidad)

Número que se indica después de “Nr.”

Lugar de compra

Fecha de compra

Nombre y apellido

Dirección de email

Dirección postal

Número de teléfono

Si tiene alguna pregunta en relación con el proceso de registro o con las opciones de garantía, por favor, póngase en contacto directamente con Stiebel Eltron USA en el número de teléfono (800)-582-8423.

4. Descripción del artefacto

El calentador está diseñado para instalarse en interiores. El artefacto está equipado para calentar agua mediante varios métodos de calentamiento diferentes.

La unidad puede calentar agua de las siguientes tres maneras:

- Calentador de refuerzo por resistencia eléctrica de 3 kW
- Calor indirecto mediante intercambiador de calor con espiral interno
- Calor indirecto mediante puertos auxiliares de entrada/salida

Todo el calentador y el sistema de agua caliente deben llenarse con agua y tener una ventilación de aire adecuada. En caso de utilizar los colectores solares y las calderas, sírvase consultar las instrucciones de instalación de los mismos.

4.1 Calentamiento del tanque de agua

El primer método de calentamiento es mediante el calentador de refuerzo por resistencia eléctrica de 3 kW. Este es el funcionamiento más básico del calentador.

Un sensor de temperatura integral detecta el contenido de energía térmica de la cantidad de calor dentro del tanque de agua. El agua del tanque se calienta si la cantidad de calor es inferior a la requerida para alcanzar la temperatura fijada.

El segundo método de calentamiento es mediante el intercambiador de calor con espiral interno. Este intercambiador de calor está diseñado para que un líquido de transferencia de calor circule a través de él desde un calentador indirecto. Este calentador indirecto puede consistir en un sistema térmico solar, una caldera u otro artefacto tradicional de circuito cerrado que genera calor y lo transfiere a través de un líquido de transferencia de calor con inhibición de la corrosión.

El tercer método de calentamiento es mediante puertos auxiliares ubicados del lado de la unidad. Estos puertos auxiliares proporcionan acceso directo al agua doméstica que se encuentra en el tanque. Debe utilizarse un intercambiador de calor de placa plana para intercambiar calor entre un calentador indirecto y el agua del tanque.

Si alguno de los últimos dos métodos de calentamiento requiriese un sensor de temperatura, del lado opuesto del tanque se proporcionan 2 puertos de las conexiones auxiliares y del intercambiador de calor.

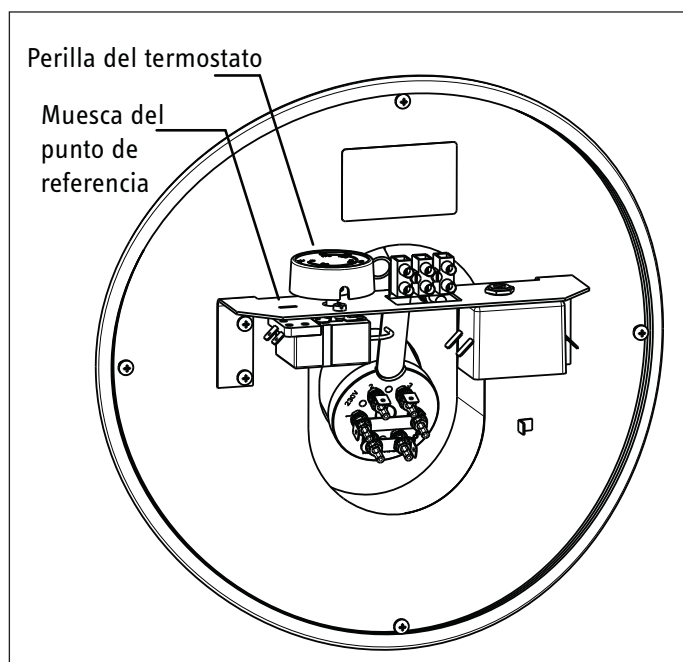
5. Uso del calentador eléctrico de refuerzo

Este producto viene equipado con un calentador eléctrico de refuerzo de 3 kW. El calentador de refuerzo cuenta con una sonda de temperatura integrada que detecta la temperatura del agua del tanque.

El elemento calefactor eléctrico 3 kW viene ajustado de fábrica a 125 ° F (52 ° C). El valor de referencia del calentador de refuerzo puede cambiarse fácilmente. Debajo del calentador de refuerzo, hay una perilla que puede cambiar el nivel de comodidad para adaptarse a las necesidades del usuario.

El calentador de refuerzo puede desenchufarse durante un periodo de desuso o puede removerse por completo.

Por comodidad, el calentador de refuerzo puede removerse del tanque sin drenarlo.



6. Cuidado y mantenimiento

El cuidado y mantenimiento de rutina extienden la vida útil y la seguridad de funcionamiento de la unidad de almacenamiento de agua caliente. El exterior debe limpiarse con un trapo un poco húmedo y con un producto de limpieza neutro disponible en el mercado. Esto debe hacerse con regularidad.



ADVERTENCIA

Nunca rocíe el artefacto con agua.
Nunca rocíe agua dentro del artefacto.



ADVERTENCIA Lesiones

Solo un técnico calificado debe efectuar las tareas de mantenimiento, como las verificaciones eléctricas de seguridad.

Componentes del artefacto	Consejos para el cuidado y mantenimiento
Exterior	Use un trapo húmedo para limpiar las secciones exteriores. Nunca use productos de limpieza abrasivos o corrosivos.
Tanque de agua	El tanque de agua está equipado con un ánodo de sacrificio y un indicador de desgaste que protege el tanque de la corrosión. El indicador de desgaste debe revisarse con regularidad. De otra manera existe el riesgo de corrosión.
Calentador por resistencia eléctrica	Verifique el estado del calentador por resistencia eléctrica. Esto extenderá la vida útil del calentador de refuerzo.

6.1 Válvula de alivio de temperatura / presión



ADVERTENCIA: La válvula de alivio de temperatura y presión está diseñada para aliviar la presión acumulada en el calentador de agua. El líquido puede descargarse a una temperatura y/o presión elevadas. Es posible que se produzcan lesiones por quemaduras con agua caliente.

Es necesario hacer funcionar correctamente la válvula de alivio de temperatura y presión a fin de evitar que la unidad de almacenamiento de agua caliente se dañe. Durante el llenado de la unidad con agua fría, la válvula de temperatura y presión debe estar abierta. Cuando el agua fluye a raudales de la línea de alivio, el tanque se encuentra lleno, y la válvula de temperatura y presión puede volver a colocarse en su posición normal.

6.2 Descalcificación

Con agua de red dura, se formará un depósito de sarro en el interior de la unidad de almacenamiento. En base a la experiencia profesional, es necesario descalcificarla con disolventes disponibles en el mercado a intervalos oportunos. Siga las instrucciones del fabricante para el uso de disolventes. Para realizar este proceso, la unidad de almacenamiento de agua caliente debe vaciarse. La cubierta del puerto de limpieza debe retirarse y los sedimentos del fondo del tanque deben enjuagarse.

6.3 Reemplazo del ánodo de sacrificio

Según la composición del agua de red, se recomienda realizar una inspección del ánodo de sacrificio a intervalos oportunos. Con el uso intenso, deberá instalarse un ánodo de reemplazo del equipo original para proteger el envase interior de la corrosión. Debe llevarse a cabo una inspección al menos una vez por año.

7. Resolución de problemas de plomería

Problema	Causa	Solución
Presión de agua insuficiente	La válvula de cierre no está completamente abierta. 0 La red de suministro de agua caliente o fría está obstruida.	Abra la válvula de cierre. Limpie o reemplace las tuberías.
Flujo de agua caliente insuficiente	La temperatura de referencia de la caldera indirecta es demasiado baja. Se recomienda una temperatura de 176 a 185 °F/ 80 a 85 °C. 0 El intercambiador de calor se encuentra calcificado.	Fije la caldera en la temperatura recomendada. 0 Limpie el intercambiador de calor.
El tanque de almacenamiento de agua caliente no se calienta	La selección del programa en el control del calentador no es adecuada.	Seleccione y configure el programa de acuerdo con las instrucciones.
Velocidad de flujo del grifo insuficiente	El aireador del punto de extracción está bloqueado.	Desenrosque el aireador y límpielo
El suministro de agua caliente se agotó demasiado rápido	La velocidad de flujo es muy alta. Se recomienda un volumen de 9,8 a 14,7 litros/minutos (2,6 a 3,9 gal./min.)	Restringir la velocidad de la válvula del grifo.

7.1 Informar a un técnico calificado

Si usted no puede solucionar la falla, informe a un técnico calificado. Para facilitar y agilizar su solicitud, proporcione el número de serie que se encuentra en la placa de identificación de la unidad (000000-0000-000000). La placa de identificación se encuentra a la izquierda, arriba de la conexión de salida de agua caliente ("DHW outlet").

7.1.1 Ejemplo de placa de identificación

STIEBEL ELTRON

Made in EU
Hecho en EU
Fabriqué en EU

SB 300 E

M-NO.: 234110
S-NO.:

Technical data
Datos técnicos
Données techniques

Volume:
Volumen:
Volume:
293 l / 77.4 gal

Supply:
Alimentación:
Alimentation:
220-240 V AC, 60 Hz
SINGLE PHASE L-L ONLY

Power:
Potencia:
Puissance:
3 kW / 10,239 BTU/h

Max. pressure:
Presión máxima:
Pression max:
1 MPa / 145 PSI

Testing pressure:
Presión de prueba:
Pression d'essai:
1.5 MPa / 217 PSI

Standby loss:
Pérdida de calor:
Pertes en mode de veille:
2.8 kWh/24h

Heat exchanger
Intercambiador de calor
Échangeur de chaleur

Max. pressure:
Presión máxima:
Pression max.:
1 MPa / 145 PSI

Heating surface:
Superficie de calefacción:
Surface de chauffe:
1.5 m² / 16.1 ft²

Volume:
Volumen:
Volume:
9.5 l / 2.37 gal

Max. temp.:
Temperatura máxima:
Temp. max.:
95 °C / 203 °F



Intertek
Conforms to UL STD. 174
Certified to CAN/CSA STD. C22.2 No.110-94

315277-38063

STIEBEL ELTRON

Made in EU
Hecho en EU
Fabriqué en EU

SB 400 E

M-NO.: 234111
S-NO.:

Technical data
Datos técnicos
Données techniques

Volume:
Volumen:
Volume:
413 l / 109.1 gal

Supply:
Alimentación:
Alimentation:
220-240 V AC, 60 Hz
SINGLE PHASE L-L ONLY

Power:
Potencia:
Puissance:
3 kW / 10,239 BTU/h

Max. pressure:
Presión máxima:
Pression max:
1 MPa / 145 PSI

Testing pressure:
Presión de prueba:
Pression d'essai:
1.5 MPa / 217 PSI

Standby loss:
Pérdida de calor:
Pertes en mode de veille:
3.0 kWh/24h

Heat exchanger
Intercambiador de calor
Échangeur de chaleur

Max. pressure:
Presión máxima:
Pression max.:
1 MPa / 145 PSI

Heating surface:
Superficie de calefacción:
Surface de chauffe:
1.92 m² / 20.6 ft²

Volume:
Volumen:
Volume:
11.1 l / 2.9 gal

Max. temp.:
Temperatura máxima:
Temp. max.:
95 °C / 203 °F



Intertek
Conforms to UL STD. 174
Certified to CAN/CSA STD. C22.2 No.110-94

315298-38054

7.2 Etiqueta de seguridad

CAUTION

To reduce the risk of electric shock or fire use only on a utility supply having a maximum 250 volt, three wire system.

CAUTION

Risk of Electric Shock. Connect branch circuit equipment grounding means to water heater. For detailed information, refer to instructions.

CAUTION

Risk of Electric Shock and Fire Hazard. Do not connect to supply by extension cord.

FOR INSTALLED RATING SEE ELEMENT MARKING

Install temperature and pressure protective equipment required by local codes, but not less than a combination temperature and pressure relief valve certified as meeting the requirements for Relief Valves and Automatic Gas Shutoff Devices for Hot Water Supply Systems, ANSI Z21.22, by a nationally recognized testing laboratory that maintains periodic inspection of production of listed equipment or materials. The valve must be oriented, provided with tubing, or otherwise installed so that discharge can exit only within 6 inches (15 cm) above, or at any distance below, the structural floor, and cannot contact any live electrical part.

CAUTION

If the water heater is retrofitted with supplemental heating equipment, you must adjust both the thermostat controlling the supplemental heat source (located in the water piping) and the thermostat on the water heater (behind the access panel) to the same temperature. Failure to adjust both thermostats to the same temperature can cause loss of proper temperature control.

When a supplemental heat source is connected to the appliance, a provision must be made to limit the heat source temperature not to exceed that of the water heater thermostat setting.

Safety label on the appliance

INSTALACIÓN

8. Seguridad

Los trabajos de instalación, verificación, puesta en marcha y reparación del artefacto solo deben ser realizados por un técnico calificado.

8.1 Instrucciones generales de seguridad

Para evitar reclamos durante el período de garantía, use solo accesorios y repuestos originales. Si necesita repuestos, comuníquese con el 800.582.8423.

8.2 Instrucciones, normas y regulaciones



Nota

Respete todas las regulaciones e instrucciones nacionales y regionales pertinentes.

INSTALACIÓN

Preparativos

Observe la placa de identificación del artefacto y lea atentamente el capítulo “Especificaciones”. Véase 15, “Especificaciones”, pág. 29.

9. Preparativos

9.1 Transporte



PRECAUCIÓN Lesiones

- ▶ Observe el peso del artefacto.
- ▶ Use accesorios de transporte adecuados (por ejemplo, una carretilla de carga) y disponga de personal suficiente para el transporte.



Precaución

- El artefacto es sumamente pesado.
- ▶ Asegúrese de que la unidad no quede inclinada.
- ▶ Only set the appliance down on an even base.

No desempaqué el artefacto hasta que se encuentre en el lugar de instalación final.

Mantenga el artefacto dentro de su embalaje y en el pallet. Ello permite mantener la posición horizontal y tomar descansos durante el traslado.

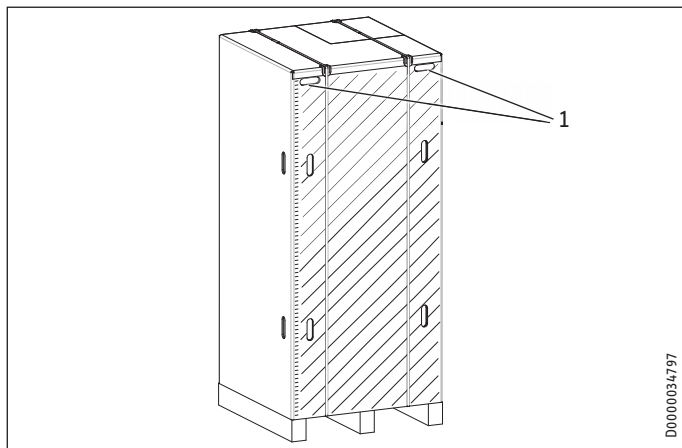
Transporte vehicular



Precaución

En general, el artefacto debe almacenarse y transportarse en posición vertical.

- ▶ Respete las indicaciones que se incluyen en el embalaje.



1 Manijas incorporadas

Traslado desde el vehículo hasta el lugar de instalación

La caja de cartón cuenta con manijas reforzadas en la parte superior. Es posible usar las manijas, así como el pallet del extremo inferior, para trasladar el artefacto hasta el lugar de instalación. Observe el peso del artefacto y asegúrese de que haya personal suficiente para manipularlo con seguridad.

9.2 Almacenamiento

Si es necesario almacenar el artefacto durante un período prolongado antes de su instalación, respete las siguientes recomendaciones:

- Almacene el artefacto únicamente en posición vertical. Nunca almacene el artefacto en posición horizontal.
- Almacene el artefacto en un lugar seco y libre de polvo.
- Evite que el artefacto entre en contacto con sustancias corrosivas.

9.3 Configuración de la entrega

El tanque de almacenamiento de agua caliente viene con los siguientes equipos:

- Unidad de almacenamiento
- Intercambiador de calor de tubos soldados de acero con extremos lisos
- Protección contra la corrosión por agua caliente con revestimiento de esmalte especial
- Tres vainas de inmersión para almacenar las sondas de temperatura
- Ánodo de sacrificio de magnesio
- Puerto de circulación
- Dos puertos de calentamiento auxiliares
- Tapa para inspección de la brida conectada
- Aislante de espuma de poliuretano de 5 cm (2 pulgadas) de espesor
- Cubierta exterior de acero

9.4 Lugar de instalación

El artefacto no es apto para instalar en exteriores, excepto garajes.

Otros requerimientos relacionados con el lugar de instalación y el posicionamiento del artefacto, para evitar que se dañe el artefacto:

- El lugar de instalación debe estar libre de gases y sustancias inflamables y altamente combustibles, así como de niveles altos de polvo.
- En el lugar de instalación no debe existir riesgo de escarcha.
- El piso del lugar de instalación debe estar nivelado y debe tener suficiente capacidad para soportar el peso del artefacto. Observe el peso del artefacto con el tanque de agua lleno (Véase 15.3, “Tabla de datos”, pág. 31). Si el piso no tiene capacidad suficiente para soportar el peso, podría derrumbarse. Si el artefacto no está correctamente equilibrado, podría dañarse.
- Siempre deje una distancia suficiente que permita el acceso para la instalación, el mantenimiento y la limpieza. Respete las distancias mínimas de seguridad (Véase 9.5, “Colocación del artefacto”, pág. 25).
- Asegúrese de que no se vea afectado el funcionamiento de ningún otro equipo que se encuentre en el lugar de instalación.
- Para reducir la longitud requerida del tubo conectado, instale la unidad muy cerca del lugar.

Los siguientes lugares de instalación no están permitidos, debido al riesgo de que se dañe el artefacto:

- Lugares donde el aire está contaminado con aceite o sales

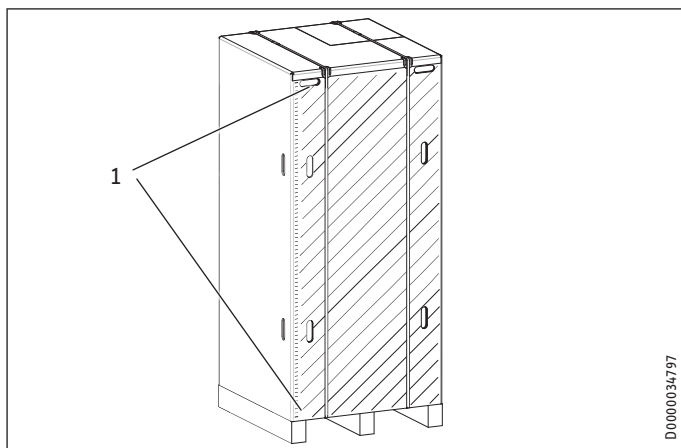
INSTALACIÓN

Instalación

- Ambientes salinos
- Áreas próximas a máquinas de alta frecuencia
- Lugares donde el aire contiene amoníaco (por ejemplo, plantas de tratamiento de aguas residuales)
- Lugares donde el aire contiene cloro (por ejemplo, piscinas)
- En general, lugares donde el aire está altamente contaminado, por ejemplo, debido al polvo o a la presencia de sustancias agresivas

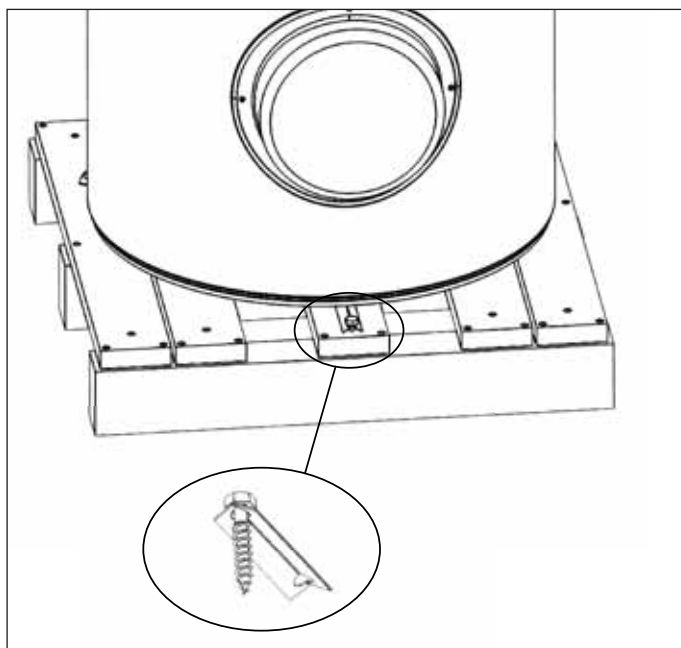
9.5 Colocación del artefacto

- Con cuidado, retire los sujetadores de la caja de cartón.



1 Sujetadores de la caja de cartón

El artefacto está sujeto al pallet por medio de soportes y tornillos de metal. Los soportes de metal están atornillados a las patas que se encuentran debajo del piso del artefacto.



1 Tornillo de fijación del soporte metálico

- Retire los tornillos de fijación de los soportes metálicos del pallet.
- Incline el artefacto hacia un lado para tomar cada pata. Desatornille la pata ajustable del tanque, retire los soportes, y atornille la pata ajustable del tanque.



Precaución

Observe el peso del artefacto, teniendo en cuenta que es sumamente pesado.

- Incline ligeramente el artefacto y hágalo rodar con cuidado para retirarlo del pallet.
- Coloque el artefacto en el lugar de instalación definitivo.

Distancias mínimas de seguridad

- Respete las distancias mínimas de seguridad.



Precaución

El artefacto debe colocarse en posición vertical, para evitar que se dañe.

Las patas que se encuentran debajo del piso del artefacto son ajustables.

- Nivele el artefacto horizontalmente usando las patas ajustables.

10. Instalación



ADVERTENCIA Lesiones

La instalación incorrecta puede ocasionar lesiones personales graves.

Antes de realizar cualquier tipo de trabajo, asegúrese de que se respeten las distancias mínimas para la instalación.

Manipule con cuidado los componentes que tengan bordes filosos.

10.1 Conexión de tuberías



Precaución

Todos los trabajos de conexión e instalación de tuberías deben realizarse de acuerdo con las regulaciones locales sobre plomería.

Las siguientes combinaciones de materiales están aprobadas para la instalación de tuberías de metal:

Entrada de agua fría	Salida de agua caliente
Tubo de cobre	Tubo de cobre
Tubo de acero	Tubo de cobre o de acero

- Enjuague bien la tubería antes de conectar el artefacto. Los cuerpos extraños, tales como las perlas de soldadura, el óxido, la arena o los selladores pueden afectar la confiabilidad operativa del artefacto.



Precaución

Para proteger las boquillas contra la corrosión, la conexión del tubo de agua debe realizarse con juntas planas. No se permite el uso de cáñamo en las roscas de las boquillas.

Válvula de seguridad

El artefacto está compuesto por un tanque de agua caliente sellado herméticamente. Coloque una válvula de alivio de presión en el artefacto.

- ▶ Instale una válvula de seguridad testeada para el tipo específico en el puerto de presión y temperatura del lado de la unidad. La presión de respuesta de la válvula de seguridad debe ser menor o igual a la presión de operación permitida del tanque de agua.

La válvula de seguridad protege al artefacto contra el exceso de presión.

- ▶ Asegúrese de que el agua de expansión que escapa por la válvula de seguridad pueda gotear dentro de un drenaje, por ejemplo, un tanque o un lavabo.

Asegúrese de que el drenaje no pueda cerrarse.

- ▶ El drenaje debe tener un tamaño suficiente para que el agua pueda drenar de forma ininterrumpida cuando la válvula de seguridad está totalmente abierta.
- ▶ Asegúrese de que el tubo de descarga de la válvula de seguridad tenga salida al aire libre.
- ▶ Instale el tubo de descarga de la válvula de seguridad con una pendiente descendiente constante y en una habitación que lo proteja contra la escarcha.

Válvula de reducción de presión

La presión máxima de la red de suministro de agua fría debe ser al menos un 20 % menor que la presión de respuesta de la válvula de seguridad. Si la presión máxima de la red de suministro de agua fría supera la presión de respuesta de la válvula de seguridad, instale una válvula de reducción de presión.

Válvula de drenaje

- ▶ Instale una válvula de drenaje adecuada en el punto más bajo de la entrada de agua fría.

Circulación del agua

Las pérdidas de calor provocadas por una línea de circulación de agua y el consumo de electricidad de la bomba de circulación reducen la eficiencia del sistema. El agua enfriada de la línea de circulación se mezcla con el contenido del tanque. Si es posible, evite instalar una línea de circulación. Si es inevitable instalar una línea de circulación, la bomba de circulación debe controlarse con un sensor de temperatura o un temporizador.

Aislante térmico

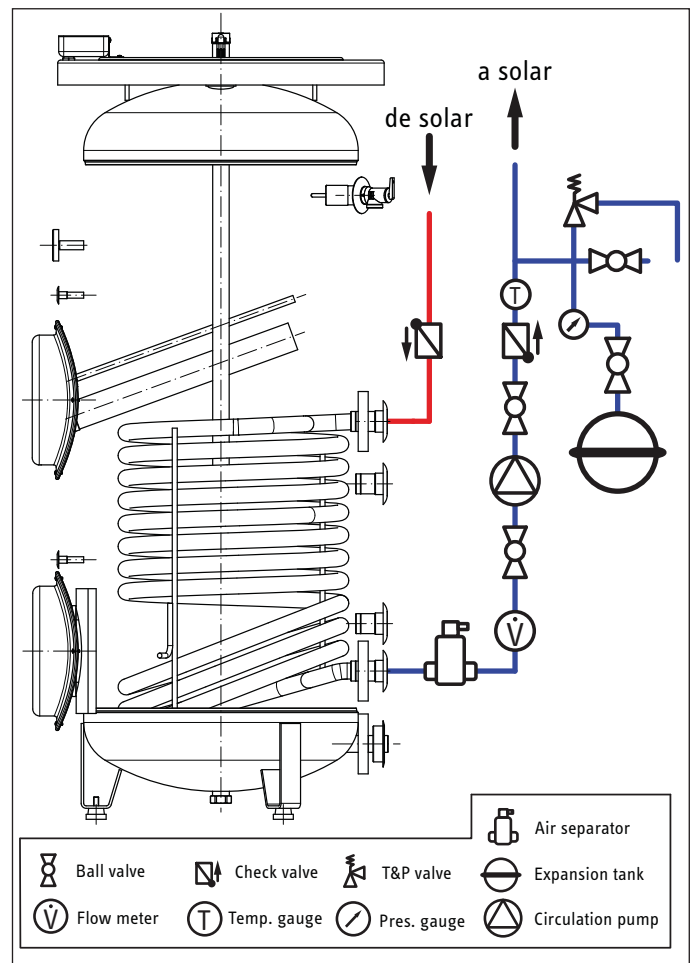
- ▶ Aísle la tubería de agua caliente contra las pérdidas de calor de acuerdo con las regulaciones locales pertinentes.

10.2 Conexión de calentamiento

El sistema de calentamiento puede configurarse de varias maneras. Los métodos aquí descritos corresponden al método de instalación más frecuente. Si tiene más dudas respecto de la instalación y la configuración del sistema de calentamiento, comuníquese con Stiebel Eltron.

10.2.1 Conexión al intercambiador de calor con espiral interno

Las conexiones del intercambiador de calor con espiral interno son NPT de 2.54 cm [1"] hembra. Este espiral suele utilizarse para aplicaciones del sistema solar térmico de circuito cerrado, como la siguiente imagen.

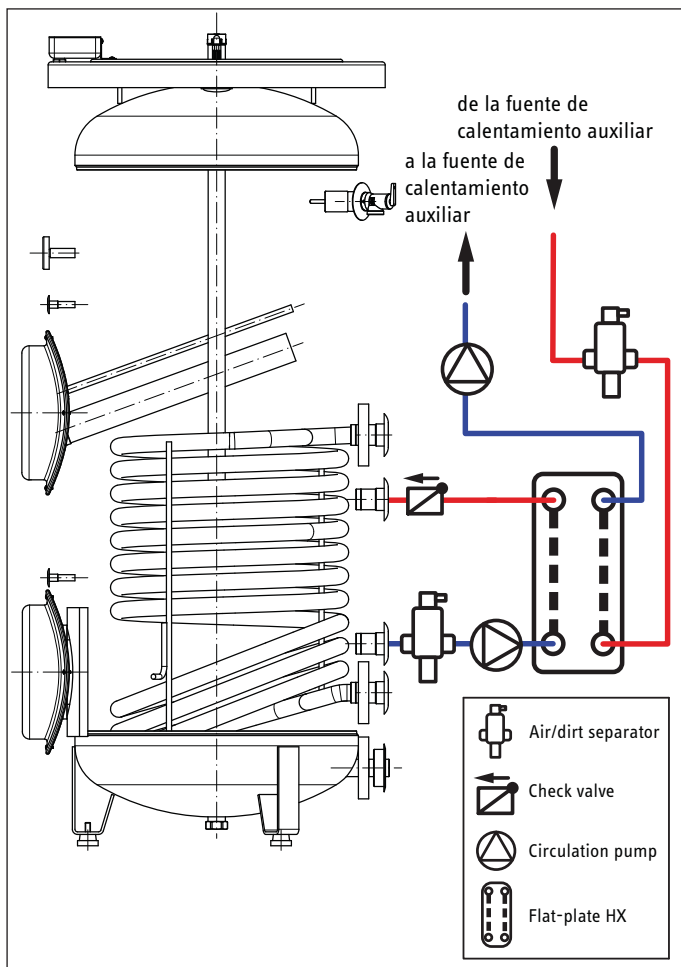


Algunas características necesarias de este sistema incluyen:

- Propilenglicol inhibidor de la corrosión
- Separador/ eliminador de aire
- Bomba de circulación

10.2.2 Conexión a los puertos auxiliares

Los puertos auxiliares pueden utilizarse para agregar otra fuente de calentamiento o para suministrar el calor almacenado en el tanque a otro lugar. Si los puertos auxiliares no se utilizan para el calentamiento, pueden utilizarse para un circuito de recirculación de agua caliente.



Es necesario que ambos lados del intercambiador de calor tengan bombas de circulación y separadores de aire/tierra. También se recomienda contar con una válvula de retención para evitar el efecto termosifónico.

Consulte su código local sobre plomería para conocer los requisitos relacionados con las propiedades de los intercambiadores de aire (pared doble, soldados, de acero inoxidable, etc.).

10.3 Suministro eléctrico



ADVERTENCIA

Todos los trabajos de conexión e instalación eléctrica deben realizarse de acuerdo con las regulaciones nacionales y regionales.

Si el artefacto está permanentemente conectado al suministro eléctrico, se debe establecer una manera de separarlo de la red eléctrica mediante un aislante que desconecte el terminal doble con al menos 3 mm de distancia entre contactos. Para ello, es posible usar contactores, interruptores de control de potencia y fusibles.

Antes de realizar trabajos en el panel de control, desconecte el artefacto de la red eléctrica. Evite conectar el suministro eléctrico mientras trabaja en el sistema.

Asegúrese de que el artefacto esté conectado a tierra de acuerdo con los requisitos locales vigentes.

10.3.1 Instalación del cable eléctrico



Precaución

Nunca conecte el artefacto a la red eléctrica antes de llenar el tanque de agua.

La electricidad se suministra a este artefacto por medio de un cable eléctrico con un enchufe de red.

- ▶ Use un alambre de cobre con un calibre de al menos 14-2 (con suelo) para la instalación. Para alambres de gran longitud, es posible que deba aumentar el tamaño del calibre. Siempre realice la instalación de acuerdo con los códigos eléctricos nacionales y locales.
- ▶ La unidad debe conectarse a un interruptor de doble polo 15 A.
- ▶ Utilice el alambre de 14-2 (o mayor, si el código lo requiriese) y conéctelo a los 3 alambre de la caja de empalmes, tal como se muestra.
- ▶ Utilice el pasacables adecuado donde el alambre ingresa en la caja de empalmes.

Véanse los diagramas de instalación eléctrica. Véase 15.6, "Diagrama de instalación eléctrica", pág. 33

11. Puesta en marcha

11.1 Puesta en marcha



Precaución

Nunca conecte el artefacto a la red eléctrica antes de llenar el tanque de agua.

11.1.1 Llenado del tanque de agua

Para llenar el tanque de agua y purgar la tubería, utilice el siguiente procedimiento:

- ▶ Cierre la válvula de drenaje.
- ▶ Abra todas las llaves del tanque de agua y la válvula de cierre de la red de agua fría.
- ▶ Apenas empiece a salir agua por las llaves del tanque, cierre las llaves.

11.1.2 Entrega del artefacto

- ▶ Explique el funcionamiento del artefacto a los usuarios y permítales familiarizarse con su utilización.
- ▶ Informe a los usuarios sobre los posibles peligros, especialmente el riesgo de quemaduras.
- ▶ Informe a los usuarios acerca de los factores ambientales críticos y los requisitos del lugar de instalación.
- ▶ Informe a los usuarios que es posible que gotee agua de la válvula de seguridad durante el proceso de calentamiento.
- ▶ Entregue a los usuarios estas instrucciones de uso e instalación y recomíéndeles que las guarden en un lugar seguro.

11.2 Reinicio

Si el artefacto se apaga debido a una interrupción del suministro eléctrico, no es necesario tomar medidas específicas para reiniciarlo una vez normalizado el suministro de energía.

12. Apagado



Precaución

Si desconecta el artefacto de la red eléctrica, dejará de estar protegido contra la escarcha.

- ▶ Si desconecta el artefacto de la red eléctrica por un período prolongado, drene el tanque de agua.

Si no se utilizará el agua caliente por un período prolongado, también drene el tanque de agua. Véase 14.2, “Drenaje del tanque”, pág. 28.

La única manera de apagar el artefacto es desconectarlo de la red eléctrica.

- ▶ Retire el enchufe de red de la toma de corriente o desconecte el artefacto de la red eléctrica de la caja de fusibles.

13. Resolución de problemas eléctricos



ADVERTENCIA Riesgo de Descarga Eléctrica

Aísle el artefacto de la red eléctrica antes de trabajar en él.



Precaución

Si desconecta el artefacto de la red eléctrica, dejará de estar protegido contra la escarcha.

- ▶ Si desconecta el artefacto de la red eléctrica por un período prolongado, drene el tanque de agua.

- ▶ Para trabajar en el calentador eléctrico de refuerzo, retire la cubierta (Véase 14.1, “Remoción de la cubierta del calentador de refuerzo”, pág. 28).

Si la unidad no suministra agua caliente, es probable que el calentador de refuerzo no esté calentando el agua.

- 1 Verifique que el disyuntor se encuentre en posición de encendido. De ser necesario, reinícielo.
- 2 Revise las conexiones dentro de la caja de empalmes. De ser necesario, repárelas.
- 3 Verifique el voltaje en las conexiones de la caja de empalmes. El voltaje debe ser de 240 VAC (voltios de corriente alterna).
- 4 Verifique que la resistencia del calentador de refuerzo sea adecuada.
 - ▶ Apague el disyuntor.
 - ▶ Desconecte las tuercas para alambre en L1 y L2 y separe los alambres.
 - ▶ Mida la resistencia entre los dos alambres negros que ingresan en el conducto del tanque. Esta debe medir $17,6 \Omega \pm 10\%$.
 - ▶ Si la medición está apagada, puede deberse a un problema interno de instalación eléctrica o a un calentador de refuerzo defectuoso. Comuníquese con Stiebel Eltron para obtener asistencia técnica.



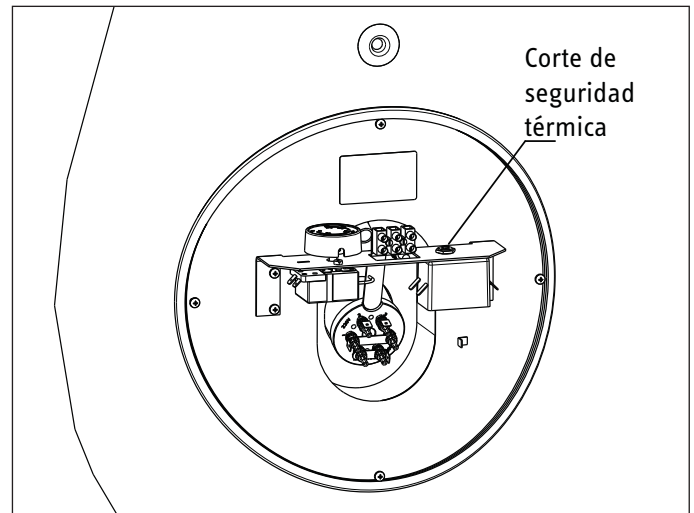
Nota

Cuando termine de trabajar en el calentador de refuerzo, vuelva a colocar la cubierta. (Véase 14, “Limpieza y mantenimiento”, pág. 28).

13.1 Reinicio después del corte de seguridad por exceso del límite de temperatura

El corte de seguridad por exceso del límite de temperatura evita que el artefacto se recaliente. Si la temperatura del tanque supera los 199-208 °F/ 93-98 °C, el corte apaga el calentador eléctrico.

Una vez solucionada la causa de la falla, presione el botón de reinicio del corte de seguridad por exceso del límite de temperatura en el termostato. Para ello, retire la cubierta del artefacto.



14. Limpieza y mantenimiento



ADVERTENCIA

Aísle el artefacto de la red eléctrica antes de trabajar en él.

14.1 Remoción de la cubierta del calentador de refuerzo

- ▶ Desenrosque los tornillos que sujetan la cubierta del calentador de refuerzo al artefacto.
- ▶ Retire la cubierta.



Nota

Cuando termine de trabajar en el calentador de refuerzo, vuelva a colocar la cubierta. (Véase 14, “Limpieza y mantenimiento”, pág. 28).

14.2 Drenaje del tanque



ADVERTENCIA Quemaduras

Al drenar el tanque de agua, puede salir agua caliente.

Para drenar el tanque de agua, por ejemplo, antes de apagar el artefacto, realice el siguiente procedimiento:

- ▶ Desconecte el artefacto de la red eléctrica.
- ▶ Cierre la válvula de la red de agua fría.

El tanque se drena por la red de agua fría.

INSTALACIÓN

Especificaciones

► Abra la válvula de drenaje instalada en la conexión de agua fría (Véase 10.1, “Conexión de tuberías”, pág. 25). Si no se ha instalado ninguna válvula de drenaje, corte el suministro de agua fría mediante la conexión de entrada de agua fría (“CW inlet”).

► Abra una de las llaves de un fregadero.

En la parte inferior del tanque de agua quedará agua residual.

14.3 Limpieza del depósito de cal del calentador eléctrico de refuerzo

Solo limpie los depósitos de cal de la brida del calentador eléctrico de refuerzo después de retirarla, y nunca trate el interior del tanque de agua ni el ánodo de sacrificio con agentes de limpieza de depósitos de cal.

14.4 Válvulas

Revise las válvulas del sistema (válvula de seguridad, válvula reductora de presión, válvula de drenaje, igualador de presión, válvula mezcladora) con regularidad para garantizar el funcionamiento confiable del artefacto. La cantidad de depósitos de cal depende de la calidad del agua local.

- Revise todas las válvulas del sistema y elimine los depósitos de cal.
- Reemplace las válvulas según sea necesario.
- Verifique el funcionamiento correcto de las válvulas.
- Verifique si se instaló un filtro de arena.

14.5 Remplazo de la cubierta del calentador eléctrico de refuerzo



ADVERTENCIA

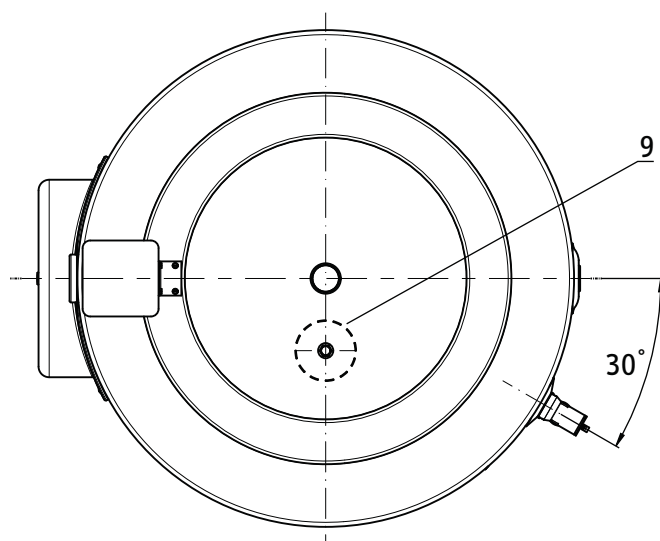
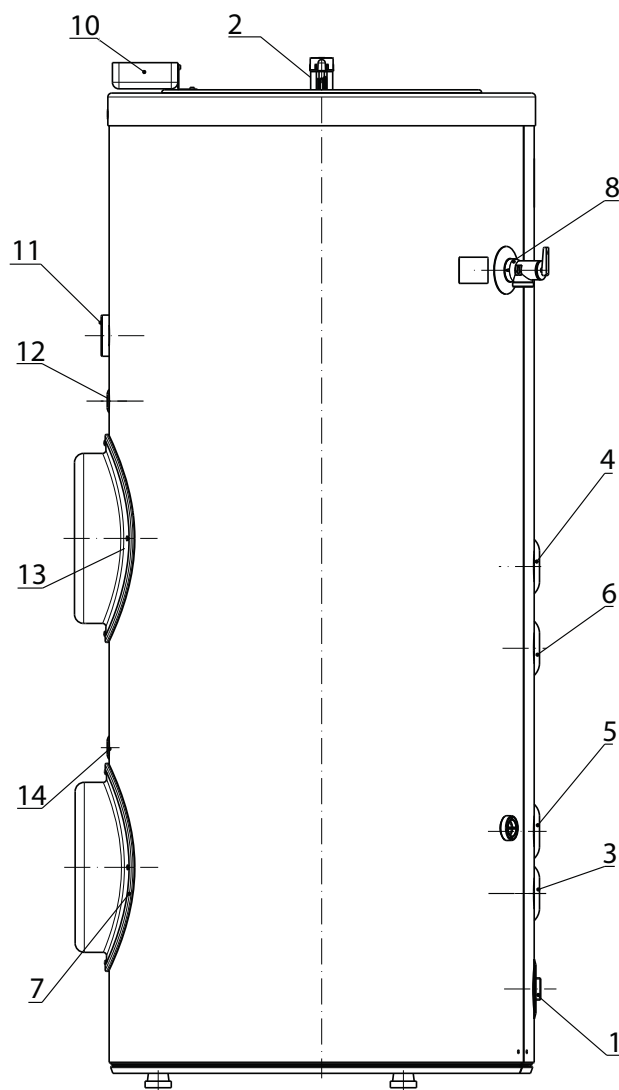
► Vuelva a conectar la cubierta del artefacto con el cable a tierra.

- Vuelva a colocar la cubierta en su posición original.
- Ajuste los tornillos que sujetan la cubierta al artefacto.

15. Especificaciones

15.1 Características

1	Entrada de agua fría
2	Salida de agua caliente
3	Puerto inferior del intercambiador de calor
4	Puerto superior del intercambiador de calor
5	Puerto auxiliar inferior
6	Puerto auxiliar superior
7	Puerto de limpieza
8	Puerto de la válvula de temperatura y presión
9	Indicador de reemplazo del ánodo
10	Caja de empalmes
11	Termómetro análogo
12	Vaina superior del sensor de temperatura
13	Calentador eléctrico de refuerzo
14	Vaina inferior del sensor de temperatura

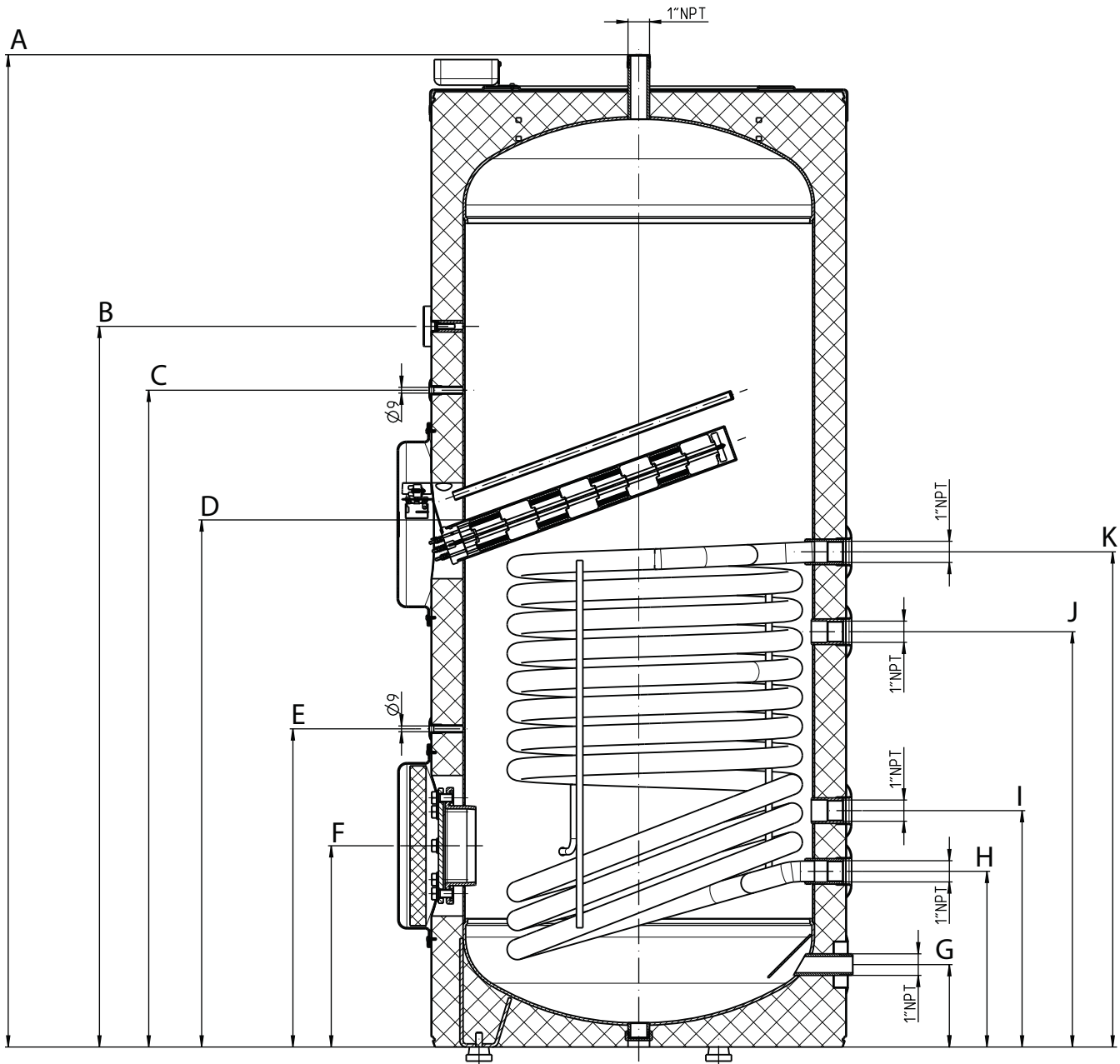


INSTALACIÓN

Especificaciones

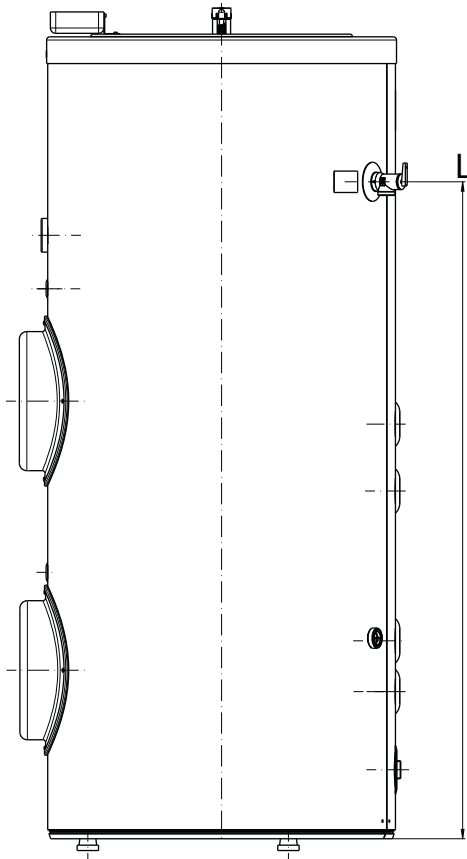
15.2 Dimensiones

	SB 300 E	SB 400 E	Connection	
A	Altura hasta la salida de agua caliente (altura total)	1552 mm / 61.1 in.	1544 mm / 60.8 in.	NPT macho de 2,54 cm [1"]
B	Altura hasta el termómetro	1128 mm / 44.4 in.	1145 mm / 45 in.	
C	Altura hasta la vaina superior del sensor de temperatura	1028 mm / 40.5 in.	1085 mm / 42.7 in.	Ø 9 mm
D	Altura hasta el puerto del calentador de refuerzo	825 mm / 32.5 in.	886 mm / 34.9 in.	
E	Altura hasta la vaina inferior del sensor de temperatura	775 mm / 30.5 in.	830 mm / 32.7 in.	Ø 9 mm
F	Altura hasta puerto de limpieza		315 mm / 12.4 in.	Ø 115 mm
G	Altura hasta la entrada de agua fría	129 mm / 5.1 in.	110 mm / 4.3 in.	NPT macho de 2,54 cm [1"]
H	Altura hasta el puerto inferior del intercambiador de calor	275 mm / 10.8 in.	280 mm / 11 in.	NPT hembra de 2,54 cm [1"]
I	Altura hasta el puerto inferior de la fuente de calor auxiliar		370 mm / 14.6 in.	NPT hembra de 2,54 cm [1"]
J	Altura hasta el puerto superior de la fuente de calor auxiliar	650 mm / 25.6 in.	700 mm / 27.6 in.	NPT hembra de 2,54 cm [1"]
K	Altura hasta el puerto superior del intercambiador de calor		498 mm / 19.6 in.	NPT hembra de 2,54 cm [1"]
L	Altura hasta puerto de la válvula de temperatura y presión		1228 mm / 48.3 in.	NPT hembra de 1,9 cm [3/4"]



INSTALACIÓN

Especificaciones



15.3 Tabla de datos

	SB 300 E 234110	SB 400 E 234111
Datos hidráulicos		
Capacidad nominal	300 l / 79.3 gal.	400 l / 105.6 gal
Volumen de agua	293 l / 77.4 gal.	413 l / 109.1 gal
Volumen del intercambiador de calor en espiral interno	9.5 l / 2.4 gal.	11.1 l / 2.9 gal
Área del intercambiador de calor en espiral interno	1.5 m ² / 16.1 ft ²	1.9 m ² / 20.6 ft ²
Calentador de refuerzo		
Voltaje del calentador de refuerzo	220-240	
Capacidad de calentamiento	3,0 kW/ 10 239 BTU/hr	
Frecuencia	60	
Corriente nominal	12,5 A	
Disyuntor requerido	20 A	
Tipo de calentador de refuerzo	Calentador de domo	
Material del calentador de refuerzo	Cerámica	
Control de temperatura	Perilla con escala en °F y °C debajo de la cubierta del calentador de refuerzo	
Rango establecido del termostato	30°C-75°C / 86°F-167°F	
Datos varios		
Presión máxima permitida (tanque)	145 PSI / 10 bar	
Presión máxima permitida (intercambiador de calor)	145 PSI / 10 bar	
Temperatura máxima del tanque	95 °C / 203 °F	
Pérdida de calor del tanque en 24 horas a una temperatura de 65°C / 149°F	2,8 kWh / 9,553 BTU	3,0 kWh / 10 236 BTU
Peso de la unidad vacía	142 kg / 313 lb	181 kg / 399 lb
Peso de la unidad llena	458 kg / 1 010 lb	605 kg / 1 334 lb
Tipo de ánodo	De magnesio con indicador de desgaste	
Dimensiones		
Altura	1 500 mm / 59 in.	
Diámetro	650 mm / 25.6 in.	750 mm / 29.5 in.
Espesor del aislante	50 mm / 2 in.	
Diámetro sin aislante	550 mm / 21.7 in.	650 mm / 25.6 in.

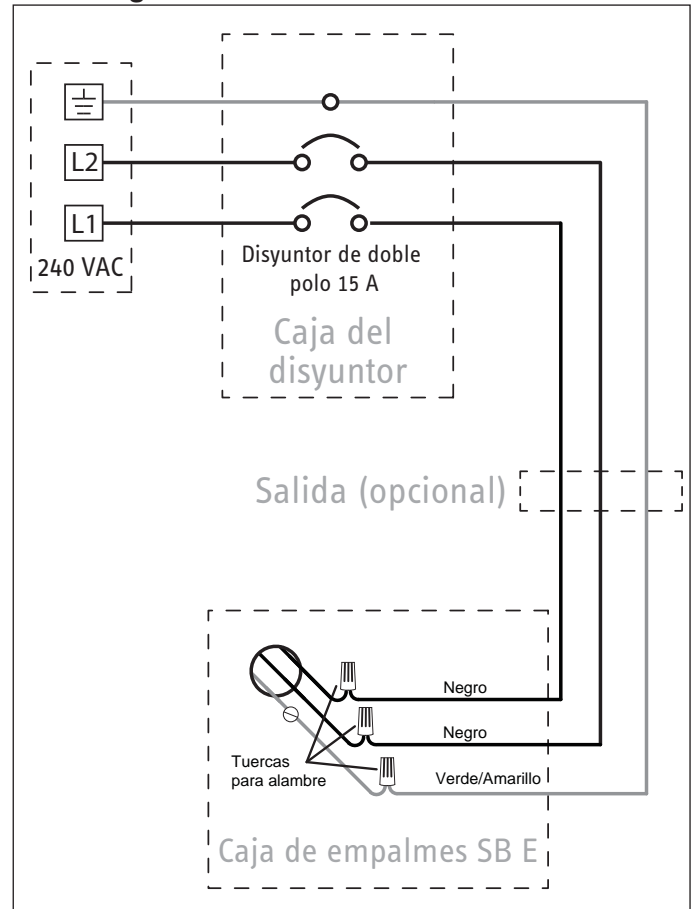
INSTALACIÓN

Especificaciones

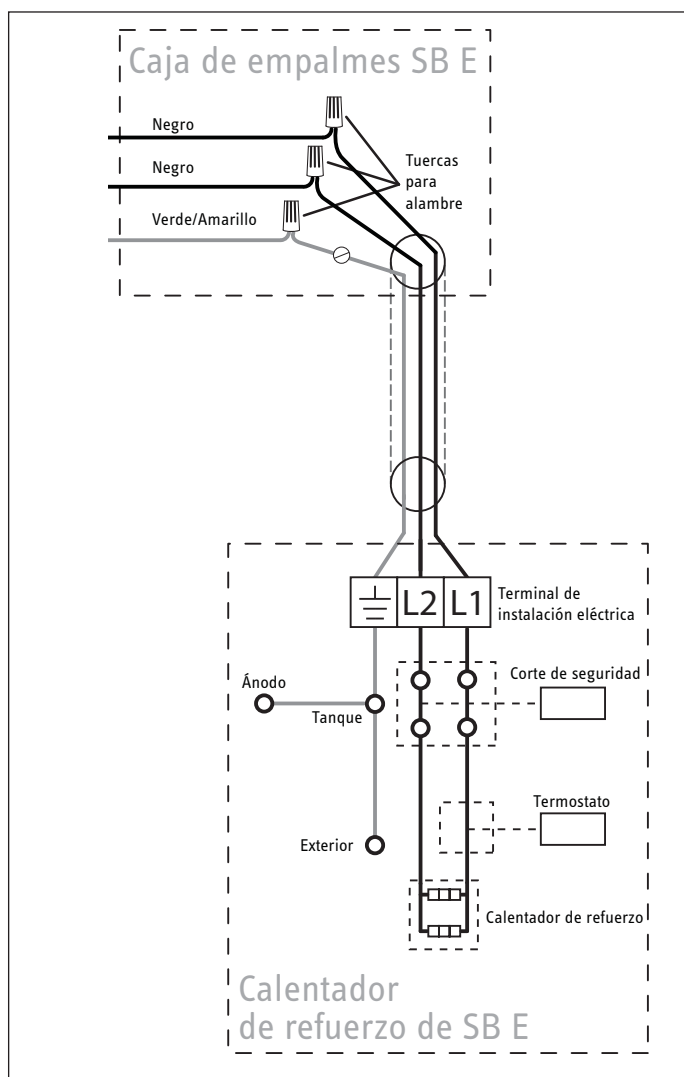
15.5 Lista de repuestos

Pos.	Name	Part #
1	Cubierta de montaje del calentador de refuerzo	315268
2	Cubierta del puerto de limpieza	315266
3	Brida esmaltada	309859
4	Junta de la brida	315300
5	Aislante de espuma para el puerto de limpieza	299891
6	Calentador de refuerzo de 3 kW	296391
7	Ánodo de sacrificio segmentado de 3,175 cm [1¼"]	143499
8	Vaina del ánodo	166375
9	Termostato	269978
10	Corte de seguridad térmica	279006
11	Perilla del termostato	315423
12	Caja de empalmes de 10 x 10 cm	315357
13	Contenedor del calentador eléctrico de refuerzo	315269
14	Tapa de junta	298307
15	Bloque terminal	309566
16	Cable de conexión (no se muestra)	315272
17	Pata ajustable del tanque	291975
18	Termómetro (32-248 °F/ 0-120 °C)	315265
19	Remaches para la camisa exterior	298745
20	Válvula de temperatura y presión 100 PSI	294545
21	Cubierta superior para SB 300 E	315264
21a	Cubierta superior para SB 400 E	315297
22	Arandela para el termostato (DIN 6797-A6.4)	
23	Contenedor de la caja de empalmes	315271
24	Tuerca para el termostato (I4032-M6)	
25	Tornillo para el contenedor del calentador de refuerzo (DIN7981-M4.2x16)	
26	Arandela para el puerto de limpieza (125-A13-140)	
27	Perno para el puerto de limpieza (DIN 933-M12x25)	
28	Prensacables	298306
29	Tuerca de la caja de empalmes	315287
30	Arandela (125-3.2-140HV-ZN)	
31	Tuerca (I4032-M 4-4-A0E)	
32	Tornillo para el termostato (DIN7985-M4x6)	
33	Tornillo para el bloque terminal (I4075-M3-18)	
34	Tuerca para el bloque terminal (I4032-M3-6)	
35	Tornillo (DIN 7500 CE M5x8-Z-AoE)	
	Lazo de cable	315273
	Casquillo aislante	315540

15.6 Diagrama de instalación eléctrica



El diagrama de instalación eléctrica de arriba muestra la conexión entre el disyuntor y la caja de empalmes SB E.



El diagrama de instalación eléctrica de arriba muestra la conexión precableada interna del SB E.

16. Medio ambiente y reciclaje

Le pedimos que ayude a proteger el medio ambiente. Después de utilizarlos, deseche los diferentes materiales de acuerdo con las regulaciones nacionales y locales.

TANQUES DE ALMACENAMIENTO INDIRECTO Y AGUA CALIENTE SOLAR

Todos los modelos SB 150 S, SB 200 S, SB 300 E, SB 400 E, SBB 300 S, SBB 400 S, SBB 300 Plus, SBB 400 Plus y SBB 600 Plus

GARANTÍA LIMITADA

Sujeto a los términos y condiciones expresados en esta garantía limitada de por vida, Stiebel Eltron, Inc. (el "Fabricante") por la presente asegura al comprador original (el "Propietario") que cada calentador de almacenamiento (el "Calentador") estará libre de defectos en los materiales del Fabricante o la mano de obra por un período de:

1. (Vida útil) del tanque y el intercambiador de calor a partir de la fecha de compra;
2. (8 años) para la(s) parte(s) no mencionada(s) en la presente a partir de la fecha de compra;
3. (Sin incluir) el ánodo de sacrificio

Como única y exclusiva solución para el Propietario en cuanto a la presente garantía, el Fabricante, a discreción del Fabricante, reparará en fábrica o reemplazará el Calentador defectuoso con una unidad o repuesto de reemplazo con características de funcionamiento comparables. La máxima responsabilidad del Fabricante en cualquier circunstancia se limitará al precio de compra del Calentador que pagó el Propietario.

Esta garantía limitada será la garantía exclusiva que el Fabricante otorga, y reemplaza todas las demás garantías, expresas o implícitas, escritas u orales, que incluyen pero no se limitan a las garantías de comerciabilidad o adecuación para un fin determinado. El Fabricante no será responsable de daños incidentales, indirectos o contingentes o gastos que surjan, de manera directa o indirecta, de cualquier defecto del Calentador o del uso del mismo. El Fabricante no será responsable por daños ocasionados por el agua o cualquier otro daño a la propiedad del Propietario que surja, de manera directa o indirecta, de cualquier defecto del Calentador o del uso del mismo. Solo el Fabricante está autorizado a conceder todas las garantías en representación del Fabricante, y ninguna declaración o garantía realizada por cualquier otra parte será vinculante para el Fabricante.

El Fabricante no será responsable de ningún daño relacionado o causado por:

1. cualquier uso indebido o falta de cuidado del Calentador, cualquier accidente que afecte al Calentador, cualquier alteración al Calentador, o cualquier otro uso incorrecto;
2. casos fortuitos o circunstancias sobre las cuales el Fabricante no tiene control;
3. instalación del Calentador que se desvíe de las directivas del Fabricante o no respete los códigos de construcción pertinentes;
4. instalación defectuosa y/o uso de materiales inapropiados por parte de cualquier instalador y que no se relacione con defectos en los repuestos o la mano de obra del Fabricante
5. negligencia en cuanto a mantener el Calentador u operar el Calentador según las especificaciones del Fabricante;
6. componentes defectuosos no instalados originalmente por el Fabricante o que no formaban parte de la unidad al momento de la venta;
7. exposición a condiciones de congelamiento;

8. exposición a productos químicos nocivos, agua contaminada, líquidos o atmósfera corrosivos, líquidos que dañen las tuberías de acero, incluida la aplicación o el mantenimiento inadecuados de los líquidos de transferencia de calor.
9. utilización del calentador como un intercambiador de aire de circuito abierto, por ejemplo, no utilizarlo en sistemas anti-retorno o hacer pasar continuamente agua dulce potable a través del intercambiador de calor interno de la unidad.
10. instalación del Calentador en un circuito cerrado sin un tanque de expansión térmica con un tamaño adecuado y correctamente instalado;
11. hacer funcionar el Calentador sin el ánodo de sacrificio instalado de fábrica;
12. hacer funcionar el Calentador en condiciones de presión de agua fluctuante o excesiva o en caso de que el Calentador se alimente de agua no potable durante un período de cualquier duración;
13. hacer funcionar el Calentador cuando está vacío o parcialmente lleno de agua potable;
14. instalar y hacer funcionar el Calentador en exteriores;
15. hacer funcionar el Calentador a temperaturas superiores a las recomendadas por el Fabricante;
16. (modelos SB E) reemplazar del calentador eléctrico de refuerzo con una unidad no fabricada por Stiebel Eltron o que supere en potencia al calentador de refuerzo instalado originalmente;
17. (modelos SB E) conectar el Calentador a un voltaje o servicio inadecuado;

Si el Propietario desea devolver el Calentador al Fabricante para su reparación o reemplazo bajo esta garantía, el Propietario debe obtener primero la autorización por escrito del Fabricante. El Propietario deberá presentar una prueba de compra, incluida la fecha de compra, y será responsable de los costos de desinstalación y transporte. Si el Propietario no puede demostrar una fecha de compra, esta garantía se limitará al período que comienza a partir de la fecha de fabricación impresa en el Calentador. El Fabricante se reserva el derecho de negar la cobertura de esta garantía después de examinar el Calentador. Esta garantía se limita al Propietario y es intransferible.

Algunos estados y provincias no permiten la exclusión o limitación de ciertas garantías. En dichos casos, las limitaciones aquí expresadas pueden no aplicarse al Propietario. En dichos casos esta garantía se limitará al período más corto y las menores cifras de daños permitidas por ley. Esta garantía le da derechos legales específicos y puede que usted tenga otros derechos que variarán de estado a estado y de provincia a provincia.

El Propietario será responsable de todos los costos de mano de obra y otros cargos incurridos al retirar o reparar el Calentador en el lugar de instalación. Por favor obsérvese que el Calentador debe instalarse de tal manera que, en caso de pérdida, el flujo de agua de la pérdida no dañe el lugar en que está instalado.

Esta garantía es válida para todas las compras en o después del 01 de Octubre 2014.

Esta Garantía solo es válida en Estados Unidos y Canadá. Las garantías pueden variar de un país a otro. Consulte a su representante de Stiebel Eltron local para conocer la Garantía correspondiente a su país.

STIEBEL ELTRON

17 West Street
West Hatfield, MA 01088

TEL. 800.582.8423

TEL. 413.247.3380

FAX 413.247.3369

info@stiebel-eltron-usa.com

www.stiebel-eltron-usa.com

RENSEIGNEMENTS PARTICULIERS

MODE D'EMPLOI

1. Généralités	38
2. Sécurité	38
2.1 Usage prévu	38
2.2 Usage incorrect	38
2.3 Généralités relatives à la sécurité	38
2.4 Circuit de l'échangeur de chaleur	38
2.5 Symboles d'essais	39
3. Inscrivez votre produit	39
4. Description de l'appareil	39
4.1 Chauffage du réservoir d'ECS	39
5. Utilisation de l'élément chauffant électrique	39
6. Maintenance et entretien	40
6.1 Soupape de décharge de pression et de température	40
6.2 Détartrage	40
6.3 Remplacement de l'anode sacrificielle	40
7. Dépannage des problèmes de plomberie	40
7.1 Avertir un entrepreneur spécialisé	41
7.2 Étiquette signalétique	41
8. Sécurité	41
8.1 Généralités relatives à la sécurité	41
8.2 Directives, normes et règlements	41
9. Préparations	42
9.1 Transport	42
9.2 Entreposage	42
9.3 Configuration de la livraison	42
9.4 Site d'installation	42
9.5 Placement de l'appareil	43
10. Installation	43
10.1 Raccordement eau	43
10.2 Raccordement de chauffage	44
10.3 Configuration électrique	45
11. Mise en service	45
11.1 Mise en service	45
11.2 Remise en service	45
12. Désactivation	46
13. Dépannage des problèmes électriques	46
13.1 Réenclencher l'interrupteur de sécurité de limite supérieure	46
14. Entretien et nettoyage	46
14.1 Retrait du cache de l'élément chauffant	46
14.2 Purge du réservoir	46
14.3 Détartrage de l'élément électrique	47
14.4 Soupapes	47
14.5 Remise en place du cache de l'élément électrique	47
15. Spécifications	47
15.1 Fonctions	47
15.2 Dimensions	48
15.3 Tableau des données	49

15.4 Pièces de rechange	50
15.5 Liste des pièces de rechange	51
15.6 Schéma de câblage	51
16. Environnement et recyclage	52

RENSEIGNEMENTS PARTICULIERS

- Respectez tous les règlements et directives nationaux et régionaux en vigueur lors de l'installation.
- L'appareil n'a pas été approuvé pour être installé à l'extérieur.
- Lorsque l'appareil est branché de manière permanente à l'alimentation principale, veillez à ce que vous puissiez le séparer de l'alimentation électrique par le biais d'un sectionneur d'isolation qui permet de déconnecter tous les pôles grâce à une séparation de contact d'au moins 4 mm (1/8 po). Vous pouvez utiliser pour cela des contacteurs, des interrupteurs de sectionnement ou des disjoncteurs.
- Respectez les règlements relatifs à la sécurité pour éviter tout contact avec le courant dangereux.
- L'appareil est sous pression. Lors du processus de chauffage, l'eau d'expansion s'égoutte de la soupape de surpression.
- Activez régulièrement la soupape de surpression pour éviter qu'elle ne se bouche, par exemple par l'accumulation de tartre.
- Installez une soupape de surpression de série sur la conduite d'arrivée d'eau froide.
- La pression maximale de la conduite d'arrivée d'eau froide doit être d'au moins 20 % au-dessous de la pression de réponse de la soupape de surpression. Si la pression maximale de la conduite d'arrivée d'eau froide est plus élevée, installez un robinet de pression.
- Choisissez la dimension de la conduite d'évacuation de sorte que l'eau puisse être totalement évacuée sans obstacle lorsque la soupape de surpression est entièrement ouverte.
- Faites en sorte que la conduite d'évacuation de la soupape de surpression soit dirigée vers le bas et dans une pièce à l'abri du gel.
- L'orifice d'évacuation de la soupape de surpression doit rester ouvert à l'air libre.
- Ne réglez jamais la pression du circuit de l'échangeur de chaleur à un niveau supérieur à celle de la pression de l'arrivée d'eau potable (ménagère). Si la pression de l'eau potable est trop basse, il faudra peut-être avoir recours à une pompe auxiliaire pour s'assurer qu'elle reste supérieure à la pression du circuit de l'échangeur de chaleur.

MODE D'EMPLOI

1. Généralités

Les chapitres intitulés « Renseignements spéciaux » et « Mode D'emploi » sont prévus pour les utilisateurs de l'appareil et les entrepreneurs spécialisés.

Le chapitre « Installation » est à l'attention des entrepreneurs spécialisés.



Remarque

Lisez attentivement ces directives avant d'utiliser l'appareil puis mettez-les de côté pour référence ultérieure. Transférez ce document à toute personne qui utilisera l'appareil.

2. Sécurité

2.1 Usage prévu

Cet appareil est prévu pour la préparation de l'eau chaude sanitaire (ECS) dans les limites d'application. Voir 15.3, « Tableau des données », p. 49.

Cet appareil est prévu pour un usage ménager, c'est-à-dire qu'il peut être utilisé en toute sécurité par des personnes non formées. Cet appareil peut également être utilisé en dehors d'un usage ménager, par exemple dans une petite entreprise, tant que son usage reste le même.

Tout autre usage au-delà de l'usage décrit sera jugé inapproprié. L'usage correct comprend également le respect de ces directives et de toutes les directives relatives aux accessoires utilisés de concert avec cet appareil.

2.2 Usage incorrect

Les emplois décrits ci-après ne sont pas autorisés :

- Le chauffage de liquides autre que de l'eau potable
- L'utilisation de l'appareil avec un réservoir d'ECS vide
- L'utilisation de cet appareil en dehors des limites d'applications (Voir 15, « Spécifications », p. 47)
- La coupure du courant

2.3 Généralités relatives à la sécurité

Seuls les entrepreneurs spécialisés peuvent exécuter les travaux électriques et l'installation de l'appareil. Les entrepreneurs spécialisés sont responsables de la conformité à tous les règlements en vigueur.

N'utilisez l'appareil que lorsqu'il est entièrement installé avec tout l'équipement de sécurité conforme.



AVERTISSEMENT

Tout contact avec des composants sous tension peut être fatal. Le fait d'endommager l'isolation électrique ou les pièces individuelles pourrait être fatal.

- ▶ Si l'isolation est endommagée, déconnectez l'alimentation électrique et faites venir un réparateur. Il est impératif que tous les travaux d'installation électrique soient exécutés par un entrepreneur spécialisé.



AVERTISSEMENT Ébouillantage

L'eau du réservoir d'ECS peut être chauffée à des températures supérieures à 65 °C (149 °F). Il y a un risque d'ébouillantage au niveau des températures de sortie supérieures à 43 °C (110 °F).

- ▶ Veillez à éviter tout contact avec l'eau lorsqu'elle s'évacue.



AVERTISSEMENT Brûlures

Le fait de toujours des pièces chaudes pourrait entraîner des brûlures.

Lorsque vous travaillez à proximité de pièces chaudes, portez toujours des vêtements et des gants de protection.

La tuyauterie connectée à la sortie ECS du chauffe-eau peut atteindre des températures supérieures à 65 °C (149 °F).



ATTENTION

Installez les dispositifs de protection pour les températures et la pression stipulés dans les codes locaux, avec au moins une soupape de décharge de température et de pression combinée certifiée par un laboratoire d'essais agréé au niveau national qui inspecte régulièrement les équipements ou matériaux répertoriés, et satisfaisant aux exigences relatives aux soupapes de décharge et aux dispositifs de coupure automatique du gaz pour les systèmes d'alimentation en eau chaude de la norme ANSI Z21.22. Cette soupape doit être marquée avec une pression pré réglée maximale ne devant pas dépasser la pression d'exploitation maximale du chauffe-eau. Installez la soupape sur l'ouverture prévue et indiquée à cet effet dans le chauffe-eau et dirigez-la ou posez une canalisation de sorte que tout écoulement se fera également dans les 152 mm (6 po) au-dessus, et à n'importe quelle distance au-dessous, du plancher structural et qu'elle ne pourra pas entrer en contact avec des pièces électriques sous tension.



Attention

N'utilisez cet appareil que lorsque le réservoir d'ECS a été rempli.



Attention

Faites en sorte que l'air de la pièce où cet appareil est installé ne soit pas contaminé avec de l'huile, du sel ou toute autre substance corrosive ou explosive.

2.4 Circuit de l'échangeur de chaleur

Les réservoirs SB E sont dotés d'un circuit d'échangeur de chaleur à chaleur indirecte. Celui-ci peut être utilisé dans diverses

situations comprenant notamment des circuits de chaudières, des installations géothermiques, des circuits pour sols chauffants, etc. Comme l'intérieur de l'échangeur de chaleur est en acier ordinaire non enduit, il doit être configuré en circuit fermé.

N'utilisez qu'un mélange de propylène glycol inhibé et d'eau dé-ionisée. Le pourcentage de glycol dans le mélange dépend du climat. Dans certaines régions, il faudra que le propylène glycol soit du GRAS, qui est un liquide indiqué par l'industrie alimentaire (échangeur de chaleur de type SW, liquide AWWA Classe II - voir la Fiche de données de sécurité du matériel pour les directives relatives à la manipulation).

2.5 Symboles d'essais

Voir 7.1.1, « Plaque signalétique type », p. 41

3. Inscrivez votre produit



NOTE:

Vous devez inscrire votre produit dans les 90 jours qui suivent la date d'achat sur notre site internet pour activer la garantie normale ou pour pouvoir réclamer la garantie prolongée. Rendez-vous à notre site internet à l'adresse suivante : www.stiebel-eltron-usa.com et cliquez sur « Register Your Product » (inscrivez votre produit).

Avant de lancer le processus d'inscription, nous vous conseillons d'avoir à portée de main la documentation nécessaire, à savoir :

Modèle, Exemple : SB 300 E (de l'étiquette située sur le côté de l'appareil)

Numéro apparaissant après « Nr. » (N°)

Lieu d'achat

Date d'achat

Prénom et nom de famille

Adresse courriel

Adresse postale

Numéro de téléphone

En cas de questions à propos du processus d'inscription ou des options pour la garantie, veuillez contacter Stiebel Eltron USA directement en composant le (800) 582-8423.

4. Description de l'appareil

L'appareil est conçu pour être installé à l'intérieur. L'appareil est équipé pour chauffer l'eau de plusieurs façons différentes.

Cet appareil peut chauffer l'eau de trois manières différentes :

- Élément chauffant à résistance électrique 3 kW
- Chauffage indirect par le biais de l'échangeur de chaleur à résistance bobinée intégrée
- Chauffage indirect par le biais des orifices d'entrée et de sortie auxiliaires

Tout le système de chauffe-eau et chauffage doit être rempli d'eau et doit posséder une ventilation adéquate. Si vous utilisez les capteurs solaires et les chaudières, veuillez consulter les directives relatives à leur installation.

4.1 Chauffage du réservoir d'ECS

La première méthode de chauffage est par le biais d'un élément chauffant à résistance électrique 3 kW. C'est le mode de fonctionnement le plus simple de l'appareil.

Un capteur de température intégré détecte la teneur en énergie thermique de la quantité de chaleur du réservoir d'ECS. L'eau dans le réservoir d'ECS est chauffée si la quantité de chaleur est plus basse que celle qui sera nécessaire pour obtenir la température préréglée.

La deuxième méthode de chauffage est par le biais d'un échangeur de chaleur à résistance bobinée. Cet échangeur de chaleur est conçu pour que le fluide de transfert de chaleur circule depuis un dispositif de chauffage indirect. Ce dispositif de chauffage indirect peut être un système thermique solaire à circuit fermé, une chaudière ou tout autre appareil conventionnel qui produit de la chaleur et la transfère par le biais d'un fluide de transfert de chaleur anti corrosion.

La troisième méthode de chauffage se fait par le biais des orifices auxiliaires situés sur le côté de l'appareil. Ces orifices auxiliaires offrent un accès direct à l'eau potable dans le réservoir. Un échangeur de chaleur à plaques devrait être utilisé pour échanger la chaleur entre un système de chauffage indirect et l'eau dans le réservoir.

Si n'importe laquelle des deux dernières méthodes exige un capteur de température, 2 orifices ont été prévus sur le réservoir du côté opposé aux branchements de l'échangeur de chaleur et du chauffage auxiliaire.

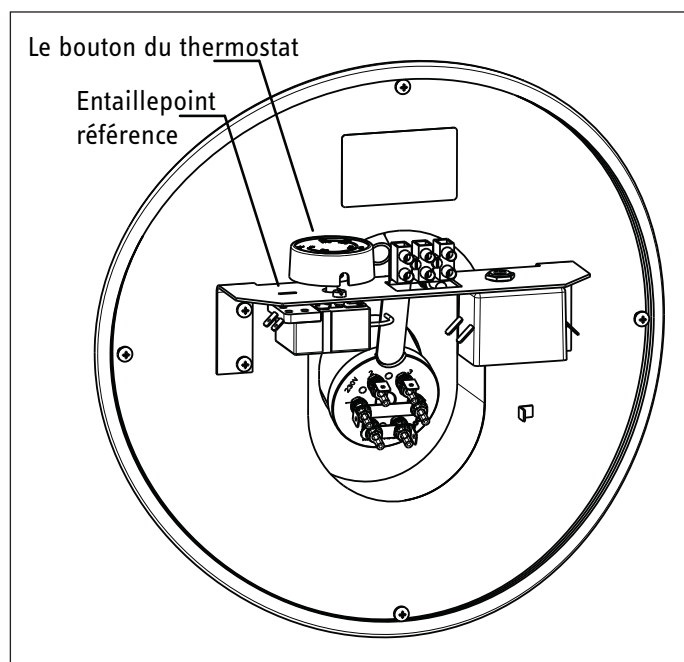
5. Utilisation de l'élément chauffant électrique

Ce produit est doté de série d'un élément chauffant électrique de 3 kW. L'élément possède une sonde de température intégrée qui détecte la température de l'eau dans le réservoir.

L'élément chauffant électrique de 3 kW est préréglé en usine à 125 ° F (52 ° C). La température définie de l'élément chauffant peut être facilement modifiée. Un bouton situé sous l'élément chauffant peut modifier le niveau de confort pour satisfaire aux besoins de l'utilisateur.

L'élément chauffant peut soit être débranché lorsque l'appareil est hors service ou retiré entièrement.

Pour des raisons pratiques, l'élément chauffant peut être retiré du réservoir sans purger celui-ci.



6. Maintenance et entretien

Une maintenance et un entretien réguliers prolongent la durée de vie et la sécurité fonctionnelle d'un réservoir d'eau chaude. L'enveloppe extérieure doit être nettoyée à l'aide d'un chiffon légèrement humide et d'un produit nettoyant neutre vendu dans le commerce. Ceci doit être fait à intervalles réguliers.



AVERTISSEMENT

Ne vaporisez jamais l'appareil d'eau.
Ne vaporisez jamais d'eau dans l'appareil.



AVERTISSEMENT Blessure

Il est impératif que tous les travaux d'entretien, comme la vérification de la sécurité électrique, soient exécutés par un entrepreneur spécialisé.

Composants de l'appareil	Conseils pour le soin et l'entretien
Enveloppe	Utilisez un chiffon humide pour nettoyer les sections de l'enveloppe. N'utilisez jamais de produits nettoyants abrasifs ou corrosifs.
Réservoir d'ECS	Le réservoir d'ECS est équipé d'une anode sacrificielle et d'un témoin d'usure pour le protéger contre la corrosion. Le témoin d'usure doit être nettoyé régulièrement. Sinon, il y a un risque de corrosion.
Dispositif de chauffage à résistance électrique	Inspectez l'état du dispositif de chauffage à résistance électrique. Cela prolongera la durée de vie de l'élément.

6.1 Soupape de décharge de pression et de température



AVERTISSEMENT : La soupape de décharge T&P a été conçue pour soulager la pression accumulée dans le chauffe-eau. À haute température ou haute pression, il est possible qu'il y ait une fuite de liquide. Vous risquez de vous ébouillanter avec de l'eau chaude.

Il est nécessaire que la soupape de décharge de pression et de température (T&P) fonctionne correctement pour éviter d'endommager le réservoir d'eau chaude. La soupape de décharge T&P doit être ouverte lorsque l'appareil se remplit d'eau froide. Lorsque l'eau passe de la conduite de décharge à plein débit, le réservoir est rempli et la soupape de décharge T&P peut être remise à sa position normale.

6.2 Détartrage

Lorsque l'eau du robinet est calcaire, un dépôt de tartre se formera à l'intérieur du réservoir. Nous avons conclu après des années d'expérience qu'il est nécessaire de le détartrer à intervalles réguliers à l'aide de solvants vendus dans le commerce. Respectez le mode d'emploi du fabricant pour l'utilisation du solvant. Le réservoir d'eau chaude doit être vidé pour cette opération. Le cache de l'orifice de nettoyage doit être retiré et les sédiments situés au fond du réservoir doivent être purgés.

6.3 Remplacement de l'anode sacrificielle

Selon la composition de l'eau du robinet, il peut être nécessaire d'inspecter l'anode sacrificielle à intervalles réguliers. Avec un usage intense, il faut installer une anode après-vente d'équipement d'origine pour protéger le réservoir intérieur contre la corrosion. Il faut procéder à une inspection au moins une fois par an.

7. Dépannage des problèmes de plomberie

Problème	Cause	Solution
Pression d'eau insuffisante	La vanne d'isolement n'est pas complètement ouverte. OU La conduite d'eau froide ou d'eau chaude est bouchée.	Ouvrez la vanne d'isolement. Nettoyez ou remplacez les tuyaux.
Le débit d'eau chaude est insuffisant	La température définie de la chaudière indirecte est trop basse. Il est conseillé qu'elle soit fixée entre 80 et 85 °C (176 et 185 °F). OU L'échangeur de chaleur est entartré.	Réglez la chaudière à la température recommandée OU Nettoyez l'échangeur de chaleur.
Le réservoir d'eau chaude ne chauffe pas	La sélection du programme à la commande de l'appareil de chauffage n'a pas été correctement sélectionnée.	Sélectionnez et réglez le programme conformément au mode d'emploi.
Le débit au robinet est insuffisant	L'aérateur au point d'extraction est bloqué.	Dévissez l'aérateur et nettoyez-le.
La réserve d'eau chaude s'épuise trop rapidement.	Le débit est trop rapide. Il est recommandé de le régler entre 9,8 et 14,7 litres/minutes (2,6 et 3,9 gal/min).	Limitez le débit de la vanne.

7.1 Avertir un entrepreneur spécialisé

Si vous ne pouvez pas remédier au problème, contactez votre entrepreneur spécialisé. Pour faciliter et expédier votre demande, fournissez le numéro de série inscrit sur la plaque signalétique (000000-0000-000000). La plaque signalétique se trouve sur l'appareil au-dessus de la connexion de la sortie d'ECS.

7.1.1 Plaque signalétique type

STIEBEL ELTRON

Made in EU
Hecho en EU
Fabriqué en EU

SB 300 E

M-NO.: 234110
S-NO.:

Technical data
Datos técnicos
Données techniques

Volume:
Volumen:
Volume:
293 l / 77.4 gal

Supply:
Alimentación:
Alimentation:
220-240 V AC, 60 Hz
SINGLE PHASE L-L ONLY

Power:
Potencia:
Puissance:
3 kW / 10,239 BTU/h

Max. pressure:
Presión máxima:
Pression max:
1 MPa / 145 PSI

Testing pressure:
Presión de prueba:
Pression d'essai:
1.5 MPa / 217 PSI

Standby loss:
Pérdida de calor:
Pertes en mode de veille:
2.8 kWh/24h

Heat exchanger
Intercambiador de calor
Échangeur de chaleur


Max. pressure:
Presión máxima:
Pression max.:
1 MPa / 145 PSI

Heating surface:
Superficie de calefacción:
Surface de chauffe:
1.5 m² / 16.1 ft²

Volume:
Volumen:
Volume:
9.5 l / 2.37 gal

Max. temp.:
Temperatura máxima:
Temp. max.:
95 °C / 203 °F

4010487


Intertek
Conforms to UL STD. 174
Certified to CAN/CSA STD. C22.2 No.110-94

315277-38053

STIEBEL ELTRON

Made in EU
Hecho en EU
Fabriqué en EU

SB 400 E

M-NO.: 234111
S-NO.:

Technical data
Datos técnicos
Données techniques

Volume:
Volumen:
Volume:
413 l / 109.1 gal

Supply:
Alimentación:
Alimentation:
220-240 V AC, 60 Hz
SINGLE PHASE L-L ONLY

Power:
Potencia:
Puissance:
3 kW / 10,239 BTU/h

Max. pressure:
Presión máxima:
Pression max:
1 MPa / 145 PSI

Testing pressure:
Presión de prueba:
Pression d'essai:
1.5 MPa / 217 PSI

Standby loss:
Pérdida de calor:
Pertes en mode de veille:
3.0 kWh/24h

Heat exchanger
Intercambiador de calor
Échangeur de chaleur


Max. pressure:
Presión máxima:
Pression max.:
1 MPa / 145 PSI

Heating surface:
Superficie de calefacción:
Surface de chauffe:
1.92 m² / 20.6 ft²

Volume:
Volumen:
Volume:
11.1 l / 2.9 gal

Max. temp.:
Temperatura máxima:
Temp. max.:
95 °C / 203 °F

4010487


Intertek
Conforms to UL STD. 174
Certified to CAN/CSA STD. C22.2 No.110-94

315298-38054

7.2 Étiquette signalétique

CAUTION

To reduce the risk of electric shock or fire use only on a utility supply having a maximum 250 volt, three wire system.

CAUTION

Risk of Electric Shock. Connect branch circuit equipment grounding means to water heater. For detailed information, refer to instructions.

CAUTION

Risk of Electric Shock and Fire Hazard. Do not connect to supply by extension cord.

FOR INSTALLED RATING SEE ELEMENT MARKING

Install temperature and pressure protective equipment required by local codes, but not less than a combination temperature and pressure relief valve certified as meeting the requirements for Relief Valves and Automatic Gas Shutoff Devices for Hot Water Supply Systems, ANSI Z21.22, by a nationally recognized testing laboratory that maintains periodic inspection of production of listed equipment or materials. The valve must be oriented, provided with tubing, or otherwise installed so that discharge can exit only within 6 inches (15 cm) above, or at any distance below, the structural floor, and cannot contact any live electrical part.

CAUTION

If the water heater is retrofitted with supplemental heating equipment, you must adjust both the thermostat controlling the supplemental heat source (located in the water piping) and the thermostat on the water heater (behind the access panel) to the same temperature. Failure to adjust both thermostats to the same temperature can cause loss of proper temperature control.

When a supplemental heat source is connected to the appliance, a provision must be made to limit the heat source temperature not to exceed that of the water heater thermostat setting.

Étiquette de sécurité sur l'appareil

INSTALLATION

8. Sécurité

Seul un entrepreneur spécialisé peut exécuter l'installation, la mise en service, l'entretien et la réparation de l'appareil.

8.1 Généralités relatives à la sécurité

Pour éviter la nécessité d'une réclamation dans le cadre de la garantie, n'utilisez que des accessoires et des pièces après-vente d'origine. Si vous avez besoin de pièces après-vente, appelez le 800.582.8423.

8.2 Directives, normes et règlements



Remarque

Respectez tous les règlements et directives nationaux et régionaux en vigueur.

Veuillez remarquer la plaque signalétique de l'appareil et le chapitre « Spécifications ». Voir 15, « Spécifications », p. 47.

9. Préparations

9.1 Transport



ATTENTION Blessure

- ▶ Veuillez noter le poids de l'appareil.
- ▶ Utilisez des outils de transport adaptés (par exemple, un diable) et suffisamment de main-d'œuvre.



Attention

- L'appareil est lourd en haut.
- ▶ Veuillez à ce que l'appareil ne soit pas incliné.
- ▶ Ne posez l'appareil que sur un socle de niveau.

Ne déballez pas l'appareil tant qu'il n'a pas été transporté dans la pièce d'installation finale.

Laissez l'appareil emballé et sur une palette. Cela permet de le transporter horizontalement et permet de se reposer lorsqu'on le transporte.

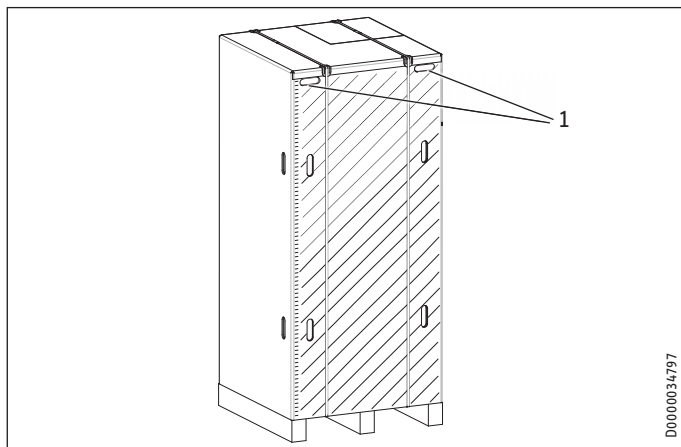
Transport par véhicule



Attention

L'appareil doit, en principe, être entreposé et transporté verticalement.

- ▶ Respectez les renseignements imprimés sur l'emballage.



1 Poignées dissimulées

Transport du véhicule à la pièce d'installation

La boîte en carton possède des poignées dissimulées renforcées le long du haut de l'appareil. Vous pouvez utiliser ces poignées dissimulées, ainsi que la partie inférieure de la palette pour porter l'appareil dans la pièce d'installation. Veuillez noter le poids de l'appareil et vous assurer qu'il y a suffisamment de personnes pour le manipuler.

9.2 Entreposage

S'il est nécessaire d'entreposer l'appareil pendant une longue période avant de l'installer, respectez les directives suivantes :

- N'entreposez cet appareil qu'en position verticale. Ne rangez jamais cet appareil horizontalement.

- Entreposez cet appareil dans un endroit sec et à l'abri de la poussière.
- Protégez cet appareil pour éviter qu'il n'entre en contact avec des substances corrosives.

9.3 Configuration de la livraison

Le réservoir d'eau chaude est fourni accompagné des équipements suivants :

- Réservoir
- Échangeur de chaleur avec tuyau à embout ordinaire en acier soudé
- Une protection contre la corrosion de l'eau chaude avec un enduit émaillé spécial
- Trois manchons d'immersion pour accueillir les sondes de température
- Anode sacrificielle au magnésium
- Orifice de circulation
- Deux orifices de chauffage auxiliaires
- Cache d'inspection à bride attaché
- Isolation en mousse PU de 5 cm d'épaisseur
- Enveloppe extérieure en acier

9.4 Site d'installation

L'appareil n'a pas été approuvé pour être installé à l'extérieur, à l'exception des gazes.

Autres exigences relatives à la pièce d'installation et au positionnement de l'appareil pour éviter d'endommager l'appareil :

- L'emplacement où l'appareil doit être installé doit être libre de tous gaz et substances inflammables et fortement combustibles. Il doit aussi être relativement sans poussière.
- La pièce d'installation doit être à l'abri du gel.
- Le plancher de la pièce d'installation doit être de niveau et avoir une force portante suffisante. Veuillez tenir compte du poids de l'appareil avec un réservoir d'ECS plein (Voir 15.3, « Tableau des données », p. 49). Un plancher qui n'aurait pas suffisamment de résistance pourrait s'écrouler. Si l'appareil n'était pas équilibré, cela pourrait l'endommager.
- Laissez suffisamment de place pour qu'on puisse y accéder pour l'installation, l'entretien et le nettoyage. Respectez les distances minimales obligatoires (Voir 9.5, « Placement de l'appareil », p. 43).
- Veillez à ce que le fonctionnement de l'autre équipement dans la pièce d'installation n'est pas perturbé.
- Pour réduire la longueur nécessaire de tuyauterie, installez l'appareil très près du point d'accès.

Il est absolument interdit d'installer l'appareil dans les pièces suivantes, car cela pourrait endommager l'appareil :

- Emplacement où l'air est contaminé par l'huile ou le sel
- Milieux salins
- Endroits à proximité de machines à haute fréquence
- Endroits où l'air contient de l'ammoniac (par exemple les égouts)
- Endroits où l'air contient du chlore (par exemple les piscines)

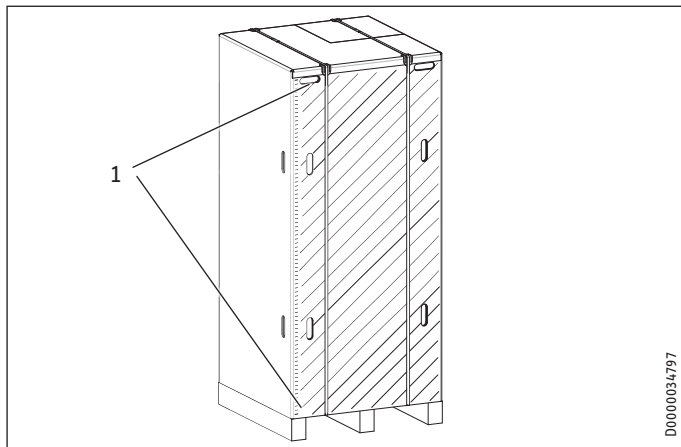
INSTALLATION

Installation

- En général, là où l'air est fortement contaminé, par exemple à cause de la poussière, ou là où l'air contient des substances agressives

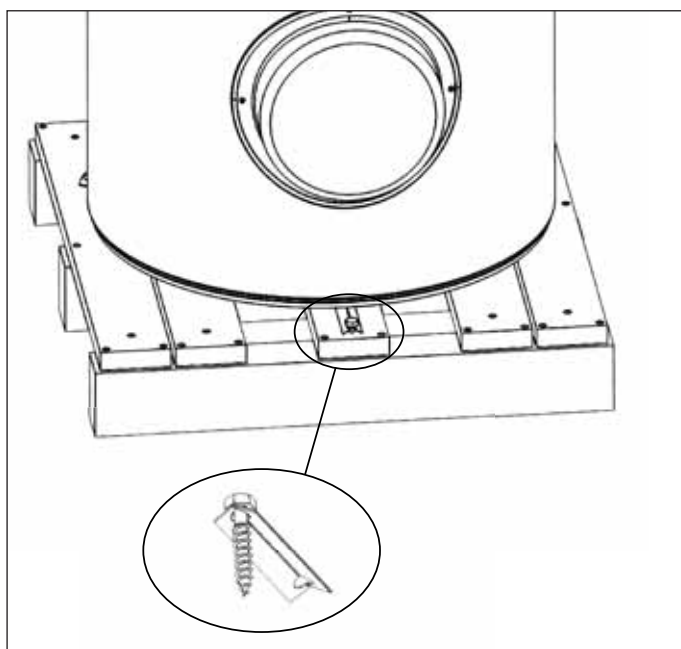
9.5 Placement de l'appareil

- Dégrafez délicatement l'emballage en carton au niveau des pinces.



1 Pincettes de l'emballage en carton

L'appareil est fixé à la palette à l'aide de support en métal et de vis. Les supports en métal sont accrochés sur les pieds sous la plaque inférieure de l'appareil.



1 Vis de fixation du support en métal

- Retirez la vis de fixation des supports en métal de la palette.
- Inclinez l'appareil sur le côté pour chaque pied. Dévissez le pied réglable du réservoir, retirez les supports et vissez le pied réglable du réservoir.



Attention

Veillez noter le poids de l'appareil et le fait qu'il est plus lourd en haut.

- Faites légèrement basculer l'appareil et faites le rouler pour le sortir de la palette.

- Amenez l'appareil à son emplacement final.

Distances minimales

- Respectez les distances minimales.



Attention

L'appareil doit être redressé verticalement pour éviter tout dommage.

Les pieds sous la plaque inférieure de l'appareil sont réglables en hauteur.

- Mettez l'appareil à niveau horizontalement à l'aide de pieds réglables.

10. Installation



AVERTISSEMENT Blessure

Une mauvaise installation peut entraîner de graves blessures.

Avant de commencer les travaux, veillez à ce qu'il y ait suffisamment de place pour l'installation.

Manipulez les pièces acérées avec précaution.

10.1 Raccordement eau



Attention

Exécutez tous les travaux de branchement de l'eau et d'installation conformément aux réglementations en vigueur en matière de plomberie.

Les combinaisons de matériaux suivantes sont approuvées pour les installations de plomberie :

Arrivée d'eau froide	Sortie de l'eau chaude sanitaire
Conduite en cuivre	Conduite en cuivre
Conduite en acier	Conduite en acier ou en cuivre

- Rincez bien les tuyauteries avant de les connecter à l'appareil. Les corps étrangers, comme les points de soudage, la rouille, le sable ou les enduits d'étanchéité peuvent nuire à la fiabilité fonctionnelle de l'appareil.



Attention

Pour protéger les plaques de la corrosion, il faut que la connexion de la tuyauterie d'eau soit faite avec des joints plats. L'utilisation de chanvre sur les filets des plaques n'est pas autorisée.

Soupape de surpression

L'appareil est un réservoir d'ECS étanche non ventilé. Prévoyez une soupape de décharge de pression pour l'appareil.

- Installez une soupape de surpression de série dans l'orifice T&P sur le côté de l'appareil. La pression de réponse de la soupape de surpression doit se trouver au-dessous ou au même niveau que la pression d'exploitation autorisée pour le réservoir d'ECS.

Cette soupape de surpression protège l'appareil contre une pression excessive inacceptable.

INSTALLATION

Installation

- ▶ Veillez à ce que l'eau d'expansion qui s'échappe de la soupape de surpression puisse s'égoutter dans une conduite d'évacuation, par exemple, un récipient ou un évier.

Veillez à ce que la conduite d'évacuation ne puisse pas être fermée.

- ▶ Choisissez la dimension de la conduite d'évacuation de sorte que l'eau puisse être totalement évacuée sans obstacle lorsque la soupape de surpression est entièrement ouverte.
- ▶ Veillez à ce que la conduite d'évacuation de la soupape de surpression soit ouverte à l'air libre.
- ▶ Faites en sorte que la conduite d'évacuation de la soupape de surpression soit dirigée vers le bas et dans une pièce à l'abri du gel.

Robinet de pression

La pression maximale de la conduite d'arrivée d'eau froide doit être d'au moins 20 % au-dessous de la pression de réponse de la soupape de surpression. Si la pression maximale de la conduite d'arrivée d'eau froide est plus élevée, installez un robinet de pression.

Robinet de purge

- ▶ Installez un robinet de purge adapté à l'endroit le plus bas de la conduite d'arrivée d'eau froide.

Circulation d'ECS

Les pertes de chaleur survenant dans une conduite de circulation de l'ECS et la consommation d'énergie de la pompe de circulation réduisent l'efficacité du système. L'eau refroidie dans la conduite de circulation se mélange au contenu du réservoir. Lorsque c'est possible, évitez d'installer une conduite de circulation de l'ECS. Lorsque c'est impossible, la pompe de circulation de l'ECS doit être thermo commandée ou commandée par une minuterie.

Isolation thermique

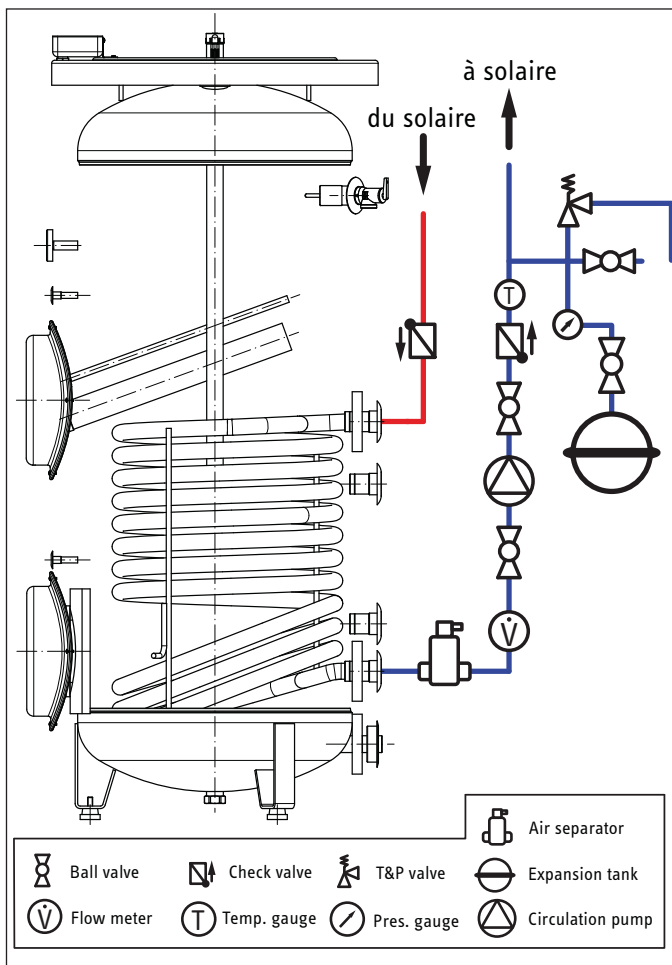
- ▶ Isolez la conduite d'ECS pour la protéger des pertes de chaleur conformément aux règlements locaux en vigueur.

10.2 Raccordement de chauffage

Le système de chauffage peut être configuré de diverses manières. Les méthodes décrites dans la présente représentent la méthode d'installation la plus commune. Pour plus de détails sur l'installation et la configuration du système de chauffage, contactez Stiebel Eltron.

10.2.1 Raccordement à l'échangeur de chaleur à résistance bobinée intégrée

Les raccordements pour l'échangeur de chaleur à résistance bobinée intégrée sont de type femelle 1 po NPT. L'un des usages communs de cette bobine est pour les applications thermiques solaires en circuit fermé, comme illustré ci-après.



Ce système présente notamment quelques caractéristiques nécessaires :

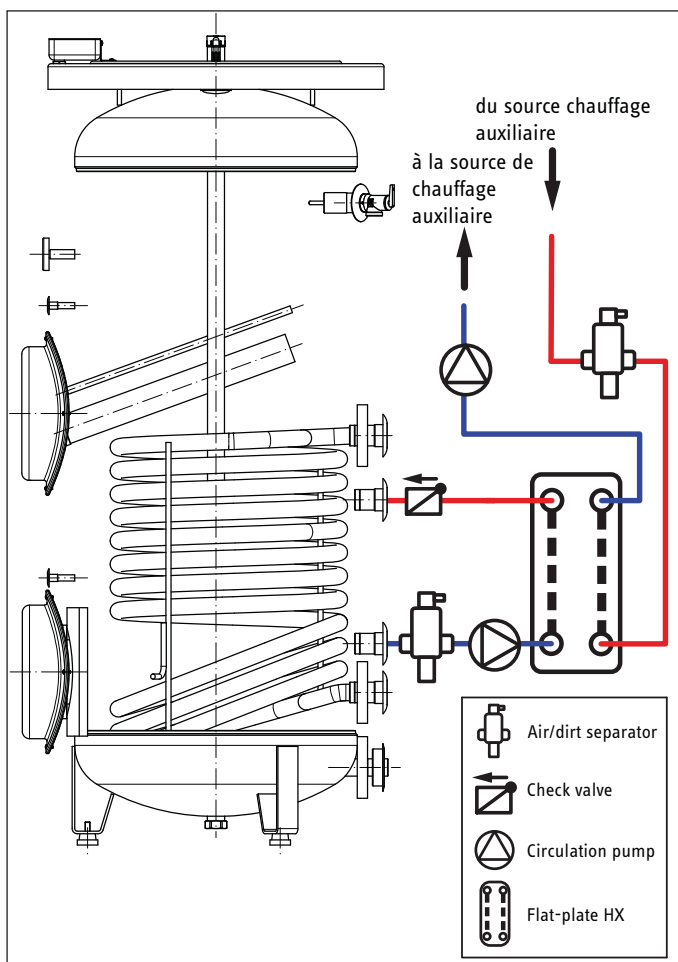
- Propylène glycol anticorrosion
- Séparateur et éliminateur d'air
- Pompe de circulation

10.2.2 Raccordement aux orifices auxiliaires

Ces orifices auxiliaires peuvent être utilisés pour ajouter une autre source de chauffage ou pour fournir la chaleur entreposée dans le réservoir à un autre emplacement. Si les orifices auxiliaires ne sont pas utilisés pour le chauffage, ils peuvent être utilisés pour un circuit de recirculation d'ECS.

INSTALLATION

Mise en service



Il est nécessaire que les deux côtés de l'échangeur de chaleur possèdent des pompes de circulations et des séparateurs d'air et pots de décantation. Il est aussi recommandé d'avoir un clapet antiretour pour éviter le thermo siphonage.

Consultez le code de la plomberie en vigueur localement pour savoir les exigences relatives aux propriétés des échangeurs de chaleur (acier inoxydable double paroi, brasé, etc.).

10.3 Configuration électrique



AVERTISSEMENT

Exécutez tous les travaux de configuration électrique et d'installation conformément aux réglementations nationales et régionales en vigueur.

Lorsque l'appareil est branché de manière permanente à l'alimentation principale, veillez à ce que vous puissiez le séparer de l'alimentation électrique par le biais d'un sectionneur d'isolation qui permet de déconnecter le double pôle grâce à une séparation de contact d'au moins 3 mm. Vous pouvez utiliser pour cela des contacteurs, des sectionneurs d'isolation de secteur ou des fusibles.

Débranchez l'appareil de l'alimentation électrique avant d'exécuter des travaux sur le panneau de commande. Évitez que l'alimentation électrique ne soit réactivée pendant que vous effectuez des travaux sur le système.

Veillez à ce que l'appareil soit mis à la terre conformément aux exigences des codes locaux en vigueur.

10.3.1 Installation du câble électrique



Attention

Ne connectez jamais l'appareil à l'alimentation électrique avant que le réservoir d'ECS ne soit plein.

L'appareil est alimenté par le biais d'un câble électrique avec une prise au secteur.

- ▶ Utilisez un fil en cuivre AWG d'au moins 14-2 (avec terre) pour l'installation. Pour de longues longueurs de câble, il vous faudra peut-être en augmenter le calibre. Installez toujours conformément aux codes électriques en vigueur au niveau local et national.
- ▶ L'appareil doit être connecté à un disjoncteur bipolaire de 15 A.
- ▶ Connectez, en utilisant un câble 14-2 (ou plus si le code l'exige), le câble 14-2 aux trois fils de la boîte de jonction comme illustré.
- ▶ Utilisez l'œillet de délestage approprié à l'endroit où le câble entre dans la boîte de jonction.

Voir les schémas de câblage. Voir 15.6, « Schéma de câblage », p. 51

11. Mise en service

11.1 Mise en service



Attention

Ne connectez jamais l'appareil à l'alimentation électrique avant que le réservoir d'ECS ne soit plein.

11.1.1 Remplissage du réservoir d'ECS

Remplissez le réservoir d'ECS et ventilez les tuyauteries en procédant comme suit :

- ▶ Fermez le robinet de purge.
- ▶ Ouvrez tous les robinets d'ECS et la valve d'isolement dans l'alimentation d'eau froide.
- ▶ Fermez les robinets d'ECS au fur et à mesure que l'eau commence à sortir.

11.1.2 Mise en main de l'appareil

- ▶ Expliquez le fonctionnement de l'appareil aux utilisateurs et familiarisez-les avec son fonctionnement.
- ▶ Soulignez les dangers potentiels, notamment le risque d'ébouillantage.
- ▶ Avisez les utilisateurs des facteurs environnementaux importants et des exigences concernant l'emplacement de l'installation.
- ▶ Informez les utilisateurs que l'eau pourrait s'égoutter de la soupape de surpression lors du chauffage.
- ▶ Remettez ce mode d'emploi et les directives d'installation aux utilisateurs pour qu'ils les mettent de côté.

11.2 Remise en service

Si l'appareil a été désactivé lors d'une coupure de courant, il est inutile de suivre une procédure particulière pour le redémarrer une fois que le courant revient.

12. Désactivation



Attention

Si l'appareil est déconnecté de l'alimentation électrique, il n'est plus protégé contre le gel.

- ▶ Ne déconnectez l'appareil de l'alimentation électrique pendant de longues périodes que si vous purgez également votre réservoir d'ECS.

Si vous n'allez pas utiliser d'eau chaude pendant une longue période, purgez toujours votre réservoir d'ECS. Voir 14.2, « Purge du réservoir », p. 46.

L'appareil ne peut être désactivé qu'en coupant l'alimentation électrique.

- ▶ Sortez la prise de secteur de la fiche ou déconnectez l'appareil du secteur à la boîte à fusibles.

13. Dépannage des problèmes électriques



AVERTISSEMENT Risque de choc électrique
Isolez l'appareil de l'alimentation électrique avant de commencer les travaux.



Attention

Si vous déconnectez l'appareil de l'alimentation électrique, il n'est plus protégé contre le gel.

- ▶ Ne déconnectez l'appareil de l'alimentation électrique pendant de longues périodes que si vous purgez également votre réservoir d'ECS.

- ▶ Pour les travaux sur l'élément de chauffage électrique, retirez le cache de l'élément électrique (Voir 14.1, « Retrait du cache de l'élément chauffant », p. 46).

Si l'appareil ne produit pas d'eau chaude, il est probable que l'élément chauffant ne chauffe pas l'eau.

- 1 Vérifiez que le disjonction est sur la position « marche ». Réenclenchez si nécessaire.
- 2 Inspectez les connexions à l'intérieur de la boîte de jonction. Réparez si nécessaire.
- 3 Inspectez la tension au niveau des connexions de la boîte de jonction. La tension doit être 240 V c.a.
- 4 Vérifiez que l'élément chauffant a la bonne résistance.
 - ▶ Coupez le disjoncteur.
 - ▶ Déconnectez les écrous de câble à L1 et L2 et séparez les câbles.
 - ▶ Mesurez la résistance entre les deux fils noirs allant dans le conduit du réservoir. Elle doit être égale à $17,6 \Omega \pm 10 \%$.
 - ▶ Si vous obtenez un autre résultat, il se peut qu'il y ait un problème de câblage interne ou un élément de chauffage défaillant. Contactez Stiebel Eltron pour obtenir tout support technique.



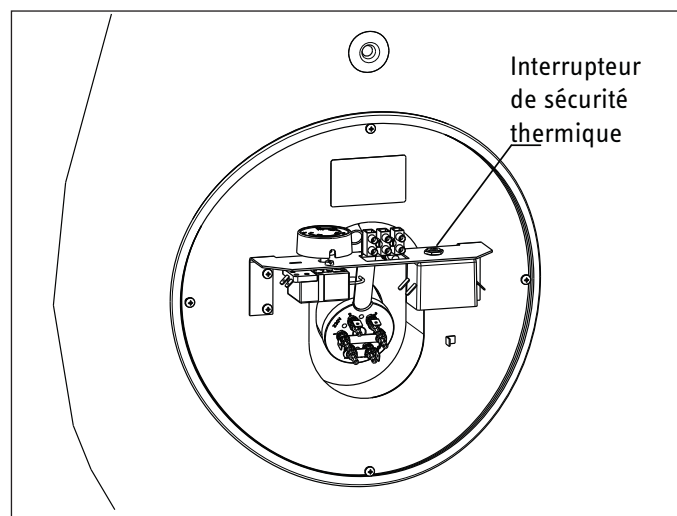
Remarque

Remplacez le cache de l'élément chauffant une fois les travaux terminés. (Voir 14, « Entretien et nettoyage », p. 46).

13.1 Réenclencher l'interrupteur de sécurité de limite supérieure

L'interrupteur de sécurité de limite supérieure protège l'appareil de la surchauffe. L'interrupteur de sécurité désactive l'élément électrique lorsque la température de l'eau du réservoir dépasse 93 à 98 °C (199 à 208 °F).

Une fois que la cause de la défaillance a été éliminée, appuyez sur le bouton de réenclenchement de l'interrupteur de sécurité de limite supérieure sur le thermostat à canne. Pour cela, retirez le couvercle de l'appareil.



14. Entretien et nettoyage



AVERTISSEMENT
Isolez l'appareil de l'alimentation électrique avant de commencer les travaux.

14.1 Retrait du cache de l'élément chauffant

- ▶ Dévissez les vis qui fixent le cache de l'élément chauffant à l'appareil.
- ▶ Retirez le cache.



Remarque

Remplacez le cache de l'élément chauffant une fois les travaux terminés. (Voir 14, « Entretien et nettoyage », p. 46).

14.2 Purge du réservoir



AVERTISSEMENT Brûlures
Il est possible qu'il y ait une fuite d'eau chaude lorsque vous purgez le réservoir d'ECS.

Pour purger le réservoir d'ECS, par exemple lorsque vous désactivez l'appareil, veuillez procéder comme suit :

- ▶ Débranchez l'appareil de l'alimentation électrique.
- ▶ Coupez la vanne d'isolement de la conduite d'eau froide.

Le réservoir d'ECS se vide par le biais de la conduite d'alimentation d'eau froide.

INSTALLATION

Spécifications

► Ouvrez le robinet de purge installé dans la conduite d'alimentation d'eau froide (Voir 10.1, « Raccordement eau », p. 43). S'il n'y a pas de robinet de purge, déconnectez la conduite d'alimentation d'eau froide au niveau du raccord d'admission d'eau froide.

► Ouvrez un robinet dans un évier.

Il restera un peu d'eau au fond du réservoir d'ECS.

14.3 Détartrage de l'élément électrique

Ne détartrez la bride de l'élément électrique auxiliaire qu'après l'avoir déposée et ne traitez jamais ni l'intérieur du réservoir d'ECS, ni l'anode sacrificielle à l'aide de produits détartrants.

14.4 Soupapes

Inspectez les soupapes du système à intervalles réguliers (soupape de sécurité, robinet de pression, robinet de purge, brisvide, mitigeur), pour assurer la fiabilité du fonctionnement de l'appareil. La quantité de dépôts de tartre dépend de la teneur en calcaire de l'eau.

- Inspectez toutes les soupapes du système et retirez les dépôts de tartre.
- Remplacez les soupapes le cas échéant.
- Vérifiez le fonctionnement des soupapes.
- Si un filtre à sable est installé.

14.5 Remise en place du cache de l'élément électrique



AVERTISSEMENT

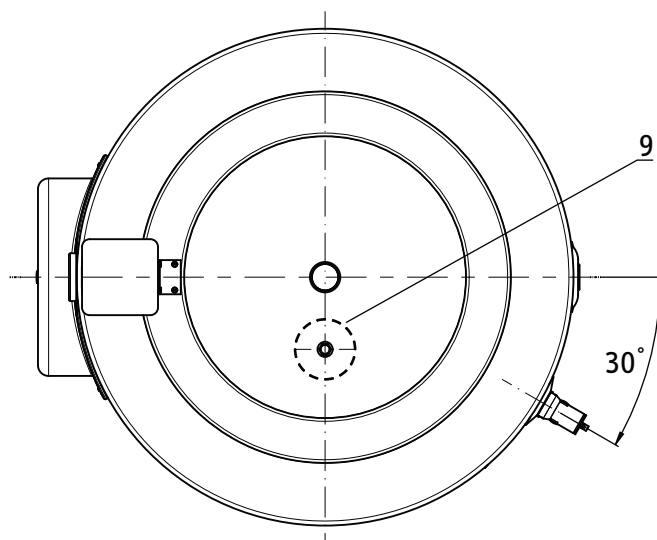
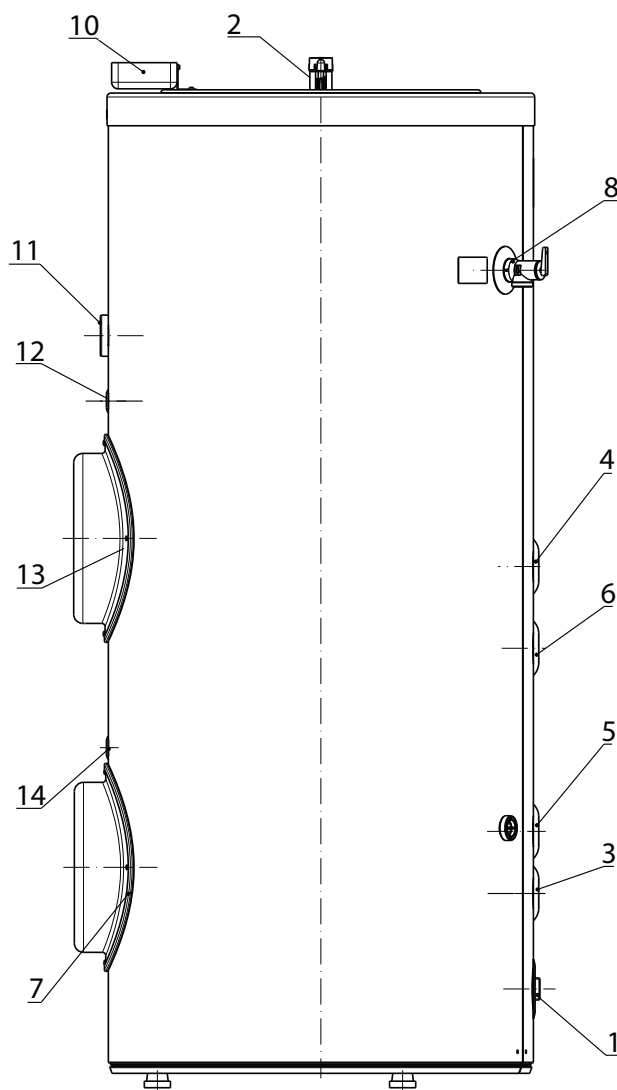
► Reconnectez le câble de terre au couvercle de l'appareil.

- Remettez le cache à l'endroit où il se trouvait à l'origine.
- Serrez les vis qui fixent le cache à l'appareil.

15. Spécifications

15.1 Fonctions

1	Arrivée d'eau froide
2	Sortie d'eau chaude
3	Orifice inférieur de l'échangeur de chaleur
4	Orifice supérieur de l'échangeur de chaleur
5	Orifice auxiliaire inférieur
6	Orifice auxiliaire supérieur
7	Orifice de nettoyage
8	Orifice de la soupape T&P
9	Indicateur de remplacement de l'anode
10	Boîte de jonction
11	Thermomètre analogue
12	Manchon du capteur de température supérieur
13	Élément chauffant électrique
14	Manchon du capteur de température inférieur

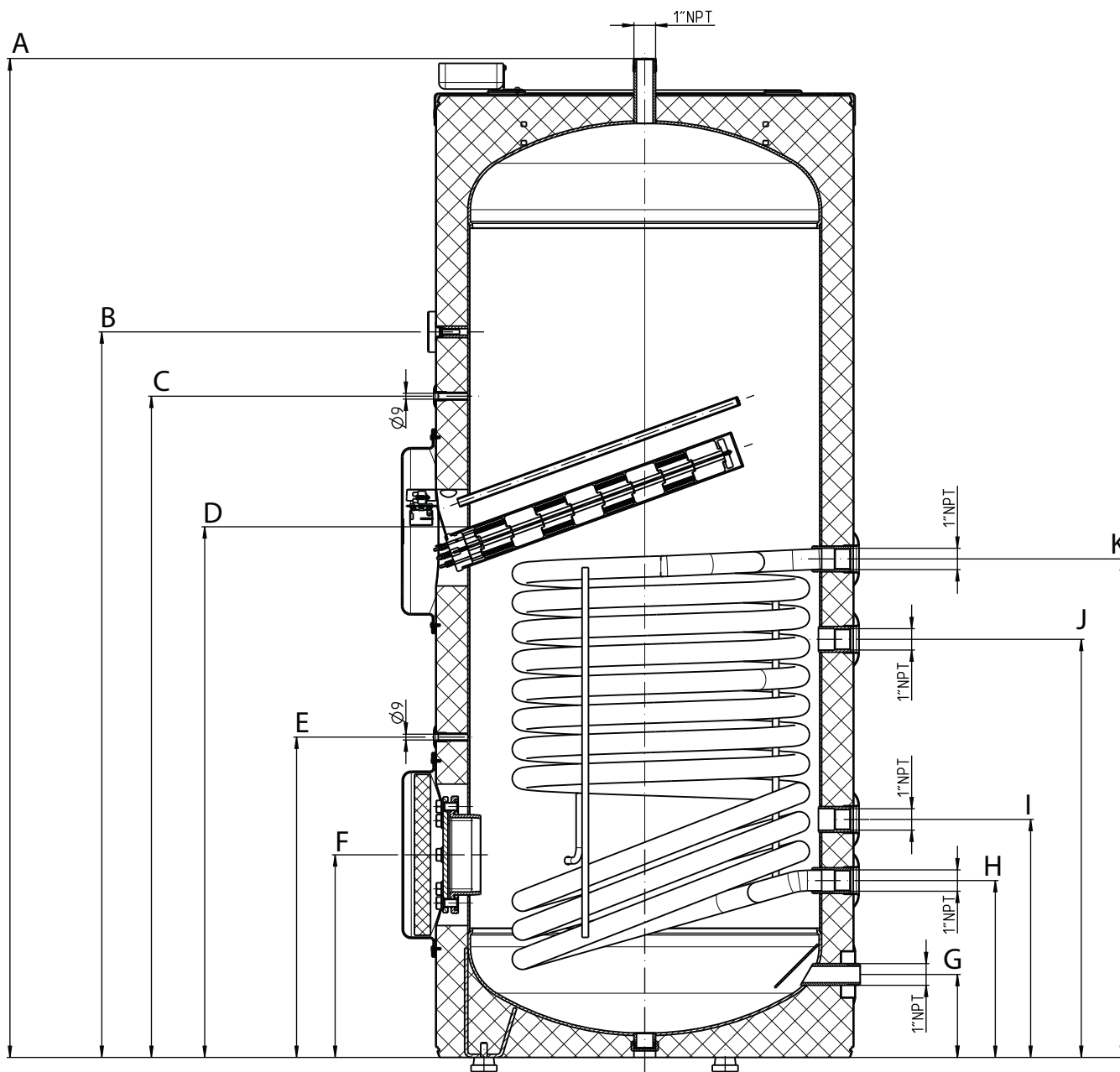


INSTALLATION

Spécifications

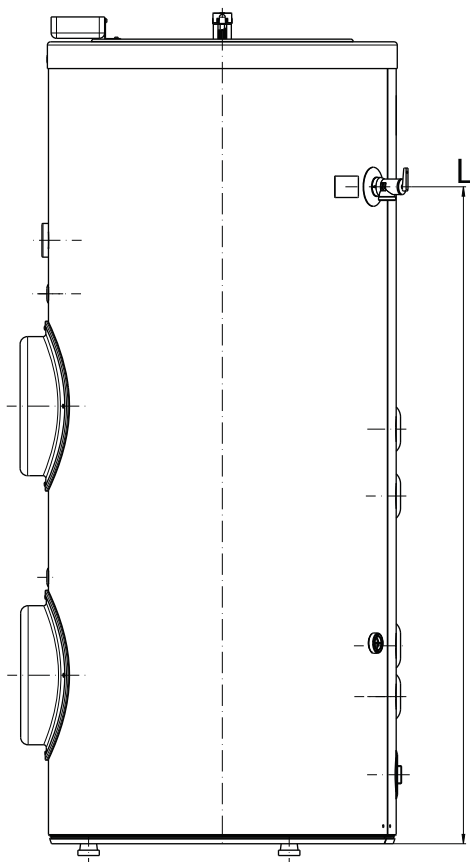
15.2 Dimensions

	SB 300 E	SB 400 E	Raccordement	
A	Hauteur jusqu'à la sortie d'eau chaude (hauteur hors tout)	1 552 mm (61,1 po)	1 544 mm (60,8 po)	Filetage NPT mâle 2,54cm (1 po)
B	Hauteur jusqu'au thermomètre	1 128 mm (44,4 po)	1 145 mm (45 po)	
C	Hauteur jusqu'au manchon du capteur de température supérieur	1 028 mm (40,5 po)	1 085 mm (42,7 po)	Ø 9 mm
D	Hauteur jusqu'à l'orifice de l'élément chauffant	825 mm (32,5 po)	886 mm (34,9 po)	
E	Hauteur jusqu'au manchon du capteur de température inférieur	775 mm (30,5 po)	830 mm (32,7 po)	Ø 9 mm
F	Hauteur jusqu'à l'orifice de nettoyage	315 mm (12,4 po)		Ø 115mm
G	Hauteur jusqu'à l'arrivée d'eau froide	129 mm (5,1 po)	110 mm (4,3 po)	Filetage NPT mâle 2,54cm (1 po)
H	Hauteur jusqu'à l'orifice inférieur de l'échangeur de chaleur	275 mm (10,8 po)	280 mm (11 po)	Filetage NPT femelle 2,54cm (1 po)
I	Hauteur jusqu'à l'orifice inférieur de la source de chaleur auxiliaire	370 mm (14,6 po)		Filetage NPT femelle 2,54cm (1 po)
J	Hauteur jusqu'à l'orifice supérieur de la source de chaleur auxiliaire	650 mm (25,6 po)	700 mm (27,6 po)	Filetage NPT femelle 2,54cm (1 po)
K	Hauteur jusqu'à l'orifice supérieur de l'échangeur de chaleur	498 mm (19,6 po)		Filetage NPT femelle 2,54cm (1 po)
L	Hauteur jusqu'à l'orifice de la soupape T&P	1 228 mm (48,3 po)		Filetage NPT femelle 1,9 cm (3/4 po)



INSTALLATION

Spécifications



15.3 Tableau des données

	SB 300 E	SB 400 E
	234110	234111
Hydrauliques		
Capacité nominale	300 l / 79,3 gal	400 l / 105,6 gal
Volume d'eau	293 l / 77,4 gal	413 l / 109,1 gal
Volume de l'échangeur de chaleur à résistance bobinée intégrée	9,5 l / 2,4 gal	11,1 l / 2,9 gal
Zone de l'échangeur de chaleur à résistance bobinée intégrée	1.5 m ² / 16.1 ft ²	1.9 m ² / 20.6 ft ²
Élément chauffant		
Tension de l'élément chauffant	220-240	
Capacité de chauffage	3,0 kW/ 10 239 BTU/h	
Fréquence	60	
Courant nominal	12,5 A	
Disjoncteur requis	20 A	
Type de l'élément chauffant	Élément en dôme	
Matériau de l'élément chauffant	Céramique	
Contrôle de la température	Bouton avec les unités en °F et °C sous le cache de l'élément chauffant	
Plage de températures du thermostat	30 °C à 75 °C (86 °F à 167 °F)	
Divers		
Pression maximale autorisée (réservoir)	145 lb/po ² /10 MPa	
Pression maximale autorisée (échangeur de chaleur)	145 lb/po ² /10 bars	
Température maximale du réservoir	95 °C (203 °F)	
Perte de chaleur du réservoir en 24 heures avec le réservoir à 65 °C (149 °F)	2,8 kWh / 9 553 BTU	3,0 kWh / 10 236 BTU
Poids vide	142 kg (313 lb)	181 kg (399 lb)
Poids rempli	458 kg (1 010 lb)	605 kg (1 334 lb)
Type d'anode	Magnésium avec témoin d'usure	
Dimensions		
Hauteur	1 500 mm (59 po)	
Diamètre	650 mm (25,6 po)	750 mm (29,5 po)
Épaisseur de l'isolation	50 mm (2 po)	
Diamètre sans isolation	550 mm (21,7 po)	650 mm (25,6 po)

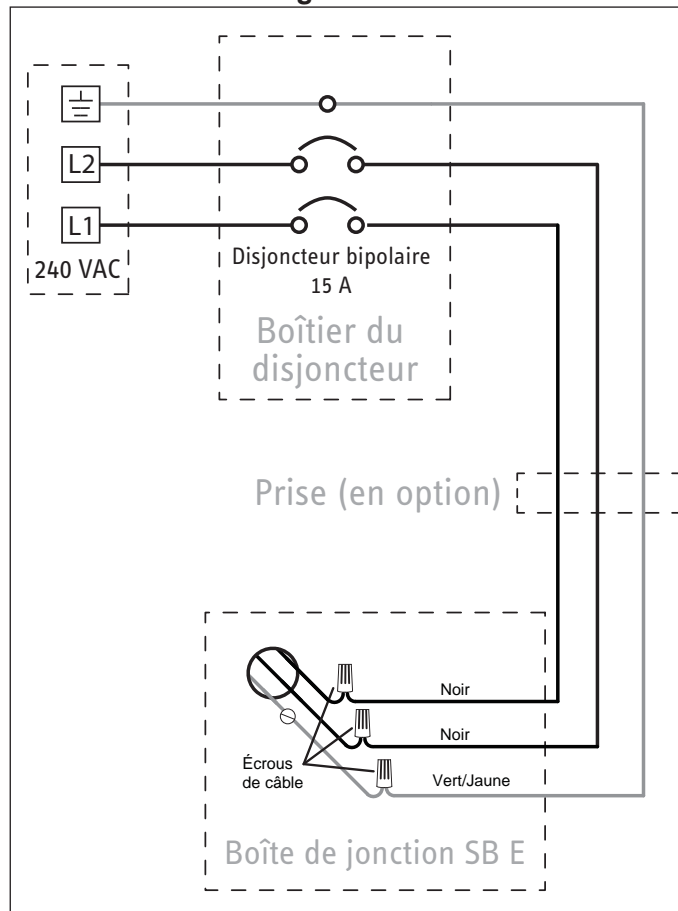
INSTALLATION

Spécifications

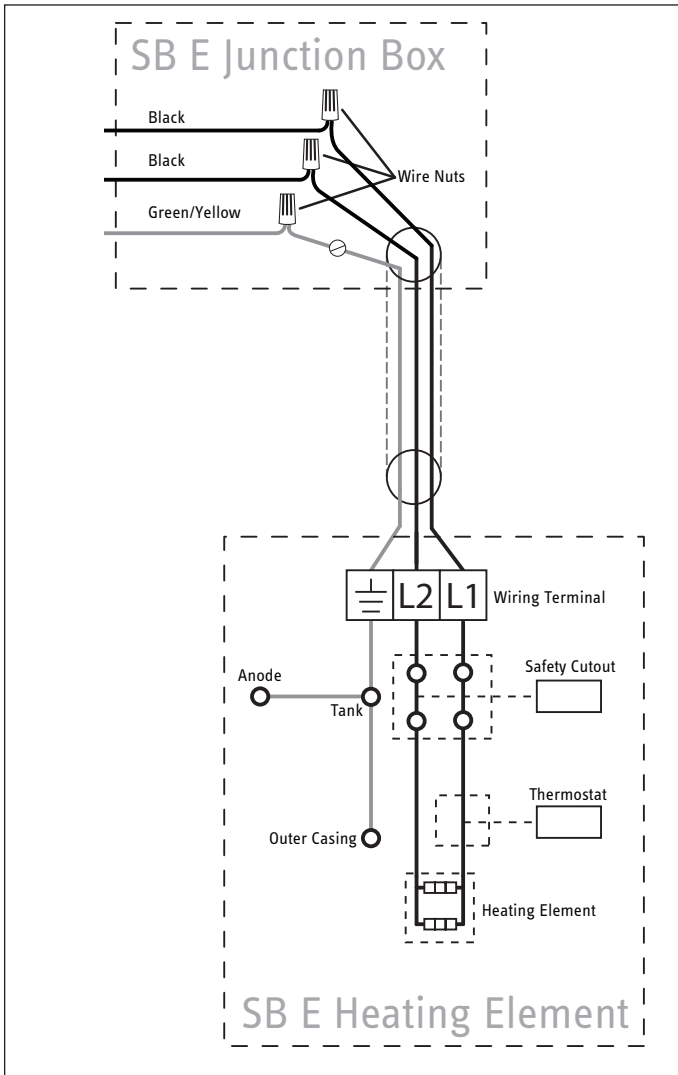
15.5 Liste des pièces de rechange

Pos.	Nom	N° de pièce
1	Cache de l'assemblage de l'élément chauffant	315268
2	Cache de l'orifice de nettoyage	315266
3	Bride en émail	309859
4	Joint à bride	315300
5	Isolation en mousse pour l'orifice de nettoyage	299891
6	Élément chauffant 3 kW	296391
7	Anode segmentée sacrificielle de 3,175 cm (1 ¼ po)	143499
8	Manchon d'anode	166375
9	Thermostat	269978
10	Interrupteur de sécurité thermique	279006
11	Bouton du thermostat	315423
12	Boîte de jonction 10 x 10 cm	315357
13	Support de l'élément électrique	315269
14	Bouchon de joint	298307
15	Borne	309566
16	Câble de connexion (non illustré)	315272
17	Pied réglable du réservoir	291975
18	Thermomètre (0 à 120° C / 32 à 248 °F)	315265
19	Rivets pour l'enveloppe extérieure	298745
20	Soupape T&P 100 lb/po ²	294545
21	Couvercle supérieur pour SB 300 E	315264
21a	Couvercle supérieur pour SB 400 E	315297
22	Rondelle du thermostat (DIN 6797-A6.4)	
23	Support de la boîte de jonction	315271
24	Écrou du thermostat (I4032-M6)	
25	Vis de l'élément chauffant (DIN7981-M4.2x16)	
26	Rondelle de l'orifice de nettoyage (125-A13-140)	
27	Boulon de l'orifice de nettoyage (DIN 933-M12x25)	
28	Presse-étoupe	298306
29	Écrou de la boîte de jonction	315287
30	Rondelle (125-3.2-140HV-ZN)	
31	Écrou (I4032-M 4-4-A0E)	
32	Vis du thermostat (DIN7985-M4x6)	
33	Vis de la borne (I4075-M3-18)	
34	Écrou de la borne (I4032-M3-6)	
35	Vis (DIN 7500 CE M5x8-Z-AoE)	
	Boucle du câble	315273
	Douille isolante	315540

15.6 Schéma de câblage



Le schéma de câblage ci-dessus montre le raccordement entre le disjoncteur et la boîte de jonction SB E.



Le schéma de câblage ci-dessus montre le raccordement pré-câblé interne du SB E.

16. Environnement et recyclage

Nous vous demandons de nous aider à protéger l'environnement. Après usage, veuillez mettre les divers matériaux au rebut conformément aux règlements en vigueur au niveau local et national.

CHAUFFE-EAU À CHAUFFAGE INDIRECT AVEC ÉLÉMENT DE CHAUFFAGE ÉLECTRIQUE AUXILIAIRE

Tous les Modèles SB 150 S, SB 200 S, SB 300 E, SB 400 E, SBB 300 S, SBB 400 S, SBB 300 Plus, SBB 400 Plus y SBB 600 Plus

GARANTIE LIMITÉE :

Sous réserve du respect des termes et conditions définis dans la présente garantie à vie limitée, Stiebel Eltron, Inc. (ci-après, le fabricant) garantit à l'acheteur d'origine (ci-après le propriétaire) que tous les réservoirs (ci-après le réservoir) seront exempts de tout vice de fabrication et de matériel de la part du fabricant pendant une période de :

1. (à vie) pour le réservoir et l'échangeur de chaleur à partir de la date d'achat;
2. (8 ans) pour les pièces non mentionnées ci-dessus à partir de la date d'achat;
3. (exclue) anode sacrificielle

Le seul et unique recours du propriétaire dans le cadre de la garantie susmentionnée sera pour le propriétaire de soit réparer en usine, soit remplacer le réservoir défectueux (à la discrétion du fabricant) avec appareil de rechange soit une ou des pièces ayant les mêmes caractéristiques d'exploitation. La responsabilité financière maximale du fabricant ne pourra en aucun cas aller au-delà du prix d'achat du réservoir.

Cette garantie limitée représente la seule garantie accordée par le fabricant et annule toute les autres garanties, orales ou écrites, expresses ou implicites, y compris, mais sans y être limitées les garanties de qualité marchande ou d'aptitude à un usage particulier. Le fabricant rejette toute responsabilité pour les dommages ou frais indirects, consécutifs ou autres résultant directement ou indirectement de tout vice présent dans le réservoir ou survenu lors de l'usage du réservoir. Le fabricant rejette toute responsabilité pour tout dégât des eaux ou tout autre dégât matériel encouru par le propriétaire, résultant directement ou indirectement de tout vice présent dans le réservoir ou survenu lors de l'usage du réservoir. Seul le fabricant est autorisé à énoncer les garanties au nom du fabricant et aucune déclaration, garantie ou autre document énoncé par une tierce partie ne saurait engager la responsabilité du fabricant.

Le fabricant rejette toute responsabilité pour tout dommage causé par ou en relation avec :

1. toute mauvaise utilisation ou négligence du réservoir, tout accident subi par le réservoir, toute modification du réservoir ou tout autre usage non prévu,
2. les calamités naturelles ou toute autre circonstance sur laquelle le fabricant n'a aucun contrôle,
3. l'installation du réservoir autre que conformément aux directives du fabricant et autre que conformément aux codes de la construction en vigueur,
4. une installation incorrecte ou l'utilisation de matériaux incorrects par un installateur et sans relation avec les vices de fabrication ou de matériel du fabricant,
5. le non-respect des procédures d'entretien du réservoir ou l'utilisation du réservoir non conformes aux directives du fabricant,
6. la défaillance de composants qui n'avaient pas été installés à l'origine par le fabricant dans l'appareil au moment de la vente,

7. l'exposition au gel,
8. l'exposition à des produits chimiques nocifs, à de l'eau contaminée, à des liquides corrosifs ou à une atmosphère corrosive, à des liquides nocifs pour la tuyauterie en acier, y compris les liquides de transfert de chaleur mal appliqués ou faisant l'objet d'un mauvais entretien.
9. l'utilisation du réservoir comme échangeur de chaleur à circuit ouvert, par exemple à ne pas utiliser dans les installations à vidange autonome ou à faire passer de l'eau potable en permanence par l'échange de chaleur intégré de l'appareil.
10. l'installation du réservoir dans un système fermé sans réservoir d'expansion thermique correctement installé et aux dimensions adéquates,
11. l'utilisation du réservoir sans anode sacrificielle installée en usine,
12. l'utilisation du réservoir avec une pression d'eau irrégulière ou excessive ou dans le cas où le réservoir serait alimenté en eau non potable pour toute durée que ce soit,
13. le fonctionnement du réservoir à vide ou partiellement rempli d'eau potable,
14. l'installation et l'utilisation du réservoir à l'extérieur,
15. l'utilisation du réservoir à des températures supérieures que celles recommandées par le fabricant,
16. (modèles SB E) le remplacement de l'élément chauffant électrique par un élément non fabriqué par Stiebel Eltron ou dont la puissance est supérieure à l'élément installé à l'origine,
17. (modèles SB E) le raccordement du réservoir à une tension ou une alimentation incorrecte,

Si le propriétaire désire renvoyer le réservoir au fabricant pour qu'il soit réparé ou remplacé dans le cadre de cette garantie, le propriétaire doit d'abord obtenir l'autorisation écrite du fabricant. Le propriétaire doit apporter la preuve d'achat, y compris la date d'achat, et sera responsable de tous les frais de transport et de dépose. Si le propriétaire ne peut pas apporter la preuve de la date d'achat, cette garantie sera limitée à la période commençant à la date de fabrication estampée sur le réservoir. Le fabricant se réserve le droit de rejeter toute couverture de la garantie à la suite d'une inspection du réservoir par le fabricant. Cette garantie ne s'applique qu'au propriétaire et ne peut pas être transférée.

Certains états et provinces n'autorisent pas l'exclusion ou la limitation de certaines garanties. Dans ce cas, les limites ci-mentionnées peuvent ne pas s'appliquer au propriétaire. Dans ce cas, la garantie sera limitée à la période la plus courte et aux dommages et intérêts les plus faibles autorisés par la loi. Cette garantie vous octroie des droits légaux spécifiques. Il est toutefois possible que vous ayez d'autres droits en fonction de votre juridiction.

Le propriétaire sera responsable de tous les frais de main-d'œuvre et autres encourus lors de la dépose ou de la réparation du réservoir sur le chantier. Veuillez également noter que le réservoir doit être installé de sorte qu'en cas de fuite, l'eau qui s'écoule doit couler de façon à ne pas endommager l'endroit où il est installé.

Cette garantie est valable pour tous les achats, le 1er Octobre 2014, ou après.

Cette garantie n'est valide que pour le Canada et les États-Unis. Les garanties varient en fonction du pays. Veuillez vous adresser à votre représentant local Stiebel Eltron pour plus de détails sur la garantie s'appliquant à votre pays.

STIEBEL ELTRON

17 West Street
West Hatfield, MA 01088

TEL. 800.582.8423

TEL. 413.247.3380

FAX 413.247.3369

info@stiebel-eltron-usa.com

www.stiebel-eltron-usa.com

STIEBEL ELTRON, Inc.
17 West Street | 01088 West Hatfield MA
Tel. 0413 247-3380 | Fax 0413 247-3369
info@stiebel-eltron-usa.com
www.stiebel-eltron-usa.com

STIEBEL ELTRON