



The Next Necessity™



Instant Hot Water Dispensers



H-HOT150

The most affordable instant hot water dispenser with easy push-handle activation and modern design

Submittal Sheet

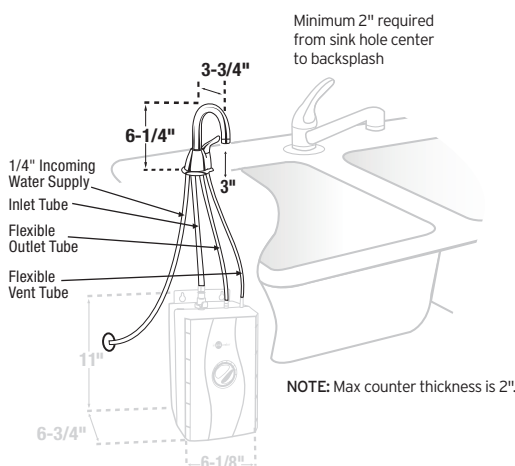
- **Hot Only** - Dispenses near-boiling water
- Includes 2/3-gallon hot water tank
- Easy to adjust temperature control
- Tool-free tank connections and dry start protection to ease installation
- *We Come To You®* 1-Year In-Home Limited Warranty*
- 115 volts, 750 watts, 6.25 amps
- Available in Chrome and Satin Nickel
- Unit not for commercial/industrial use

Specifications

Capacity	2/3-gallon hot water tank dispenses near-boiling water
Electrical	115 volts A.C., 750 watts, 6.25 amp heating element with grounded three (3) prong plug
Thermostat	Snap-action, adjustable thermostat
Insulation	Meets U.L. 94HF-1 flammability specification
Valve	Instant, self-closing
Recommended Supply Pressure	30-125 psi
Shipping Weight	Approximately 7.4 lbs.
Required Hole Diameter	1-1/4" - 1-1/2" standard sink hole

Water Filtration System Available

Dimensions



Sample Specification

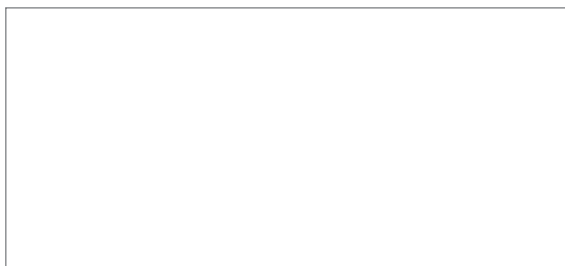
Instant hot water dispenser(s) shall be InSinkErator Model H-HOT150 with 2/3-gallon hot water tank, adjustable temperature and instant, self-closing hot valve.

Warranty:
1-year parts and in-home service.

* The complete InSinkErator warranty is included in the Care & Use booklet packed with each unit.

Pat. <http://www.isepat.com>

Job Specifications



USA
1-800-558-5700
www.insinkerator.com

Canada
1-800-558-5700
www.insinkerator.ca

InSinkErator may make improvements and/or changes in the specifications at any time, in its sole discretion, without notice or obligation and further reserves the right to change or discontinue models.

©2017 InSinkErator, InSinkErator® is a business unit of Emerson Electric Co. All Rights Reserved.