



*With Western the water savings are significant and maintenance is minimal.*

- Elongated flushometer bowl.
- Sani-Glazed™ trapway gives years of sanitary, trouble free use.
- Designed for institutional and commercial applications.
- 1-1/2" top spud provided.
- Seat and Flushometer valve not included.
- Available in white.
- All Western products are IAPMO tested and meet or exceed  standards

*Our customers tell us it's*  
**"The Best Flushing Toilet in America!"**

For more information please contact us toll-free:

**877-WPWORKS (979-6757)**

US Sales and Service

**Phone 562.229.0910 • Fax 562.229.0930**

**www.westernpottery.com • Email: [info@westernpottery.com](mailto:info@westernpottery.com)**

14405 Best Avenue • Norwalk, California 90650

# B432

## PHYSICAL PROPERTIES

Model: **B432**

Water Surface: **9.05" X 10.75"**

Water Seal: **2.75"**

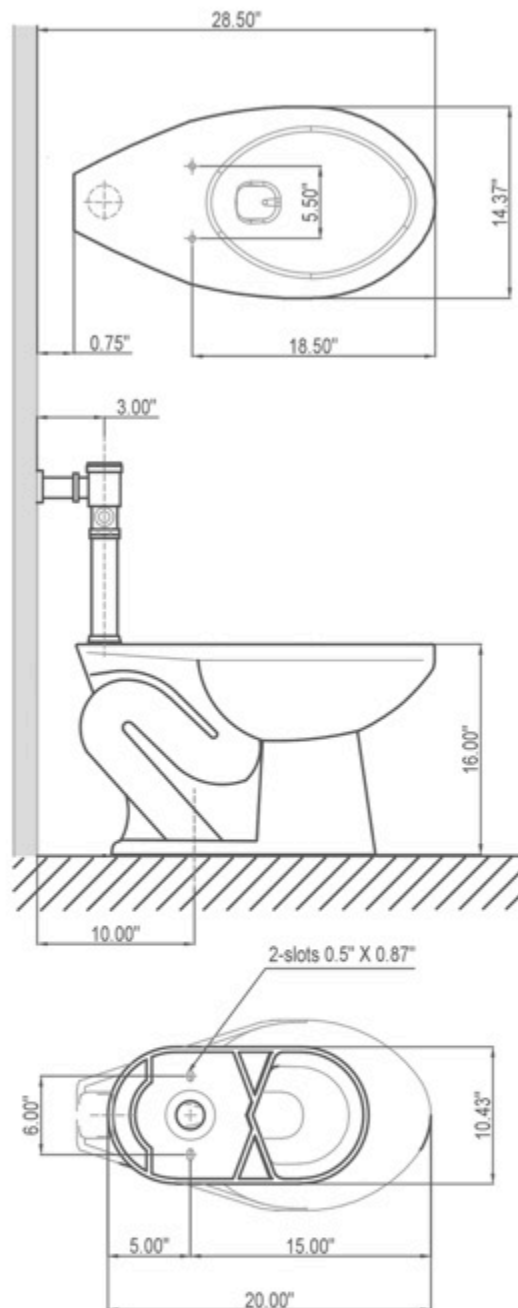
Trapway Ball Pass: **2.00**

Trapway Diameter: **2.00"**

Water Consumption: **1.28 gpf**

Shipping Weight: **46 lbs**

Minimum Rough-in: **10"**



**IMPORTANT:** These dimensions are nominal and vary within the range of tolerances established by ASME standard A112.19.2.



For more information please contact us toll-free:  
**877-WPWORKS (979-6757)**

[www.westernpottery.com](http://www.westernpottery.com) • Email: [info@westernpottery.com](mailto:info@westernpottery.com)