

APPLICATIONS

- Basement sumps • Dewatering • Water transfer • Light effluent

FEATURES

- Oil-free motor with thermal overload protection
- Designed for continuous duty
- Cast iron or thermoplastic motor cover and casing options
- Permanently lubricated upper/lower ball bearings with double lip seal
- 5 vane impeller
- 1-1/2" FNPT (38 mm) discharge, 1-1/4" (31.7 mm) reducer bushing included
- Handles up to 1/2" (12.7 mm) solids
- Multiple switch options for automatic operation
- 120 °F (49 °C) liquid temperature rating
- cCSAus listed

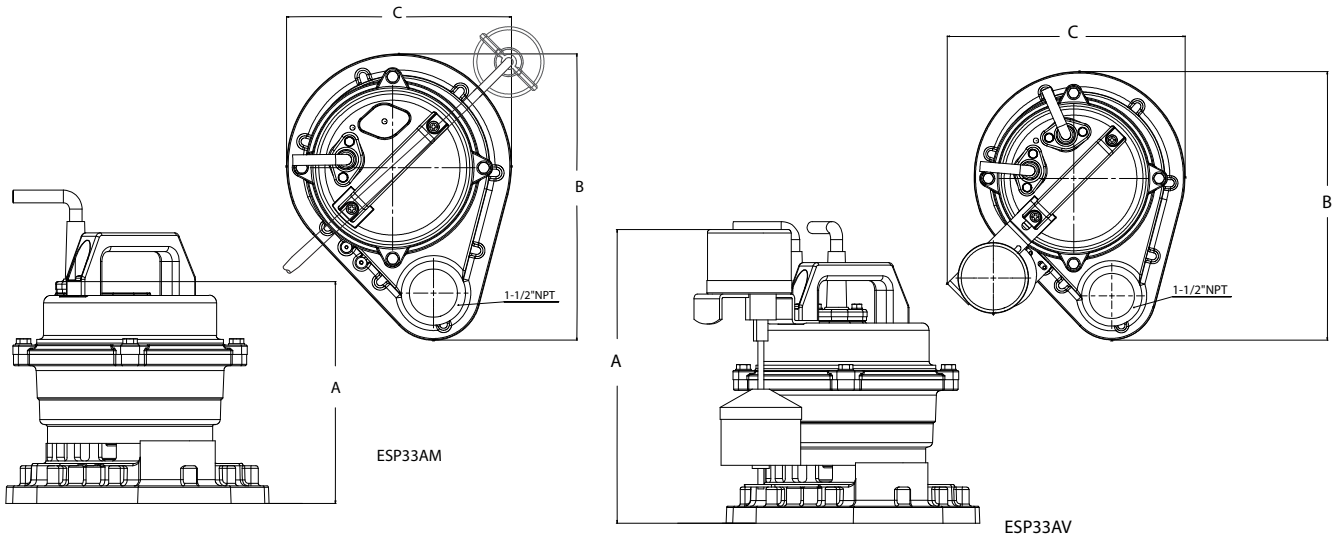


SERIES SPECIFICATIONS

Volts	Hz	Amps		Watts	Performance (GPM @ Height in Feet)			Shut-Off (ft)	PSI
		FLA	Start		5'	10'	15'		
115	60	5.6	10.9	515	44	34	13	17.5	7.6

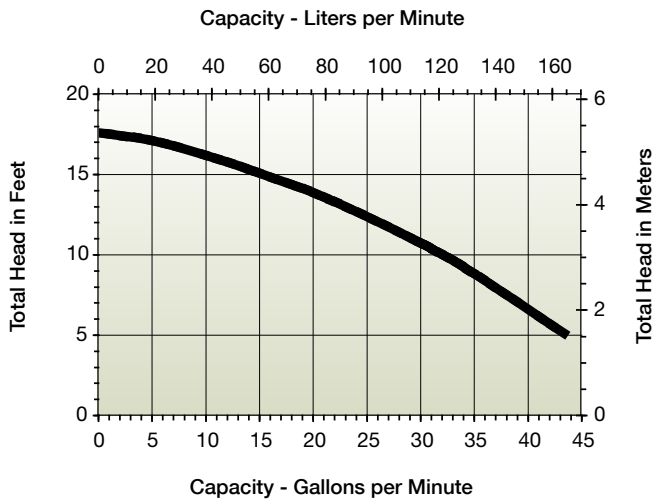
Item No.	Model	HP	Volts	Switch Type/ Operation	On Level	Off Level	Cord	Weight
620186	ESP33AM	1/3	115	Piggyback Mechanical	12" 30.5 cm	5" 12.7 cm	10' 3 m	20 lbs 9.07 Kg
620185	ESP33AM-P	1/3	115	Piggyback Mechanical	12" 30.5 cm	3.5" 8.9 cm	10' 3 m	20 lbs 9.07 Kg
620120	ESP33AV	1/3	115	Vertical Mechanical	5" 12.7 cm	3.5" 8.9 cm	10' 3 m	20 lbs 9.07 Kg
620121	ESP33AV-P	1/3	115	Vertical Mechanical	5" 12.7 cm	3.5" 8.9 cm	10' 3 m	20 lbs 9.07 Kg
620089	ESP33M	1/3	115	Manual	-	-	10' 3 m	20 lbs 9.07 Kg

ENGINEERING DATA



	A	B	C
ESP33AM	6.97" 17.7 cm	10.39" 26.4 cm	8.27" 21 cm
ESP33AV	9.57" 24.3 cm	10.51" 26.7 cm	9.33" 23.7 cm

PERFORMANCE DATA



CONSTRUCTION

Motor Housing	Cast iron models ending in -P are thermoplastic
Impeller Material	Polypro
Impeller Type	Semi-open
Volute	Cast iron models ending in -P are thermoplastic
Motor Shaft	Stainless steel
Shaft Seal	Double lip
Fasteners	Stainless steel
Bearings	Upper and lower
Power Cord	SJTW