



a Geberit company

2100 South Clearwater Drive
Des Plaines, IL 60018
Phone: 847-803-5000
Fax: 847-803-5454
www.chicagofaucets.com

FOR TECHNICAL ASSISTANCE
1-800-TEC-TRUE (1-800-832-8783)

REPAIR PARTS

BY: JAR DATE: 11-25-14
CHK: *JAR* REV: 05-06-15

FITTING NO.

EQ-B1_SERIES

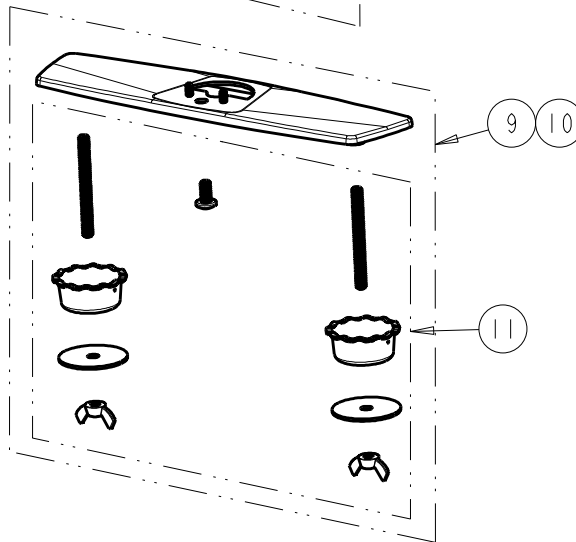
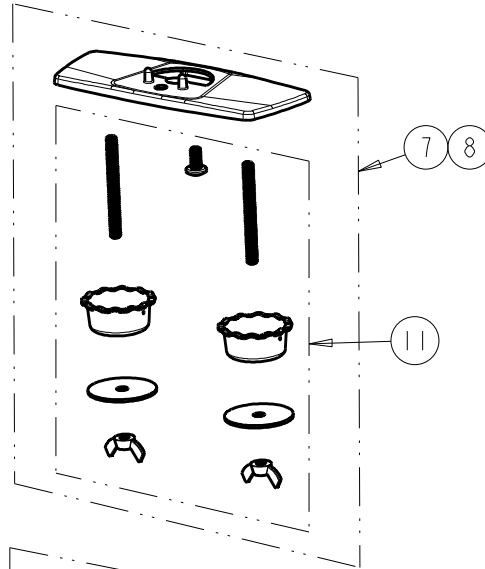
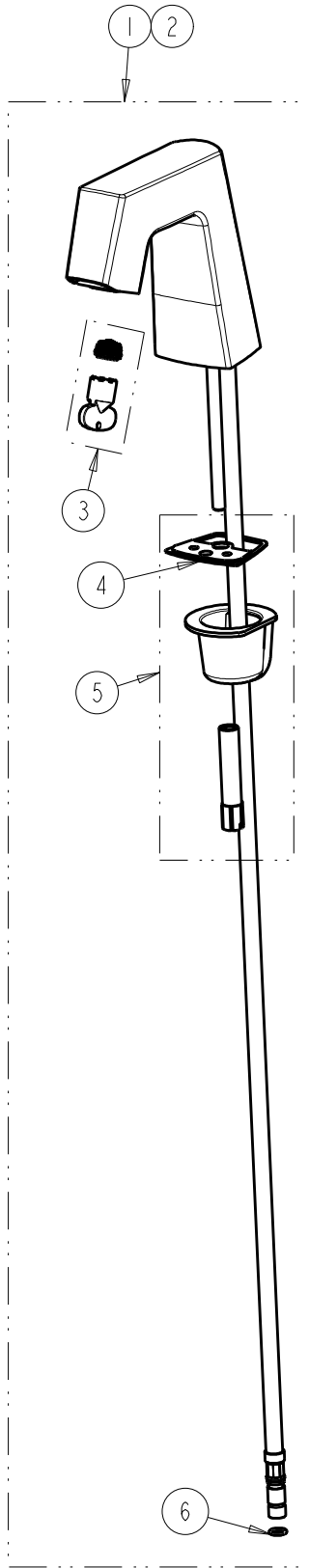
SUBMITTED MODEL NO.

ITEM NO.

FINISH OPTIONS

CP=CHROME PLATE

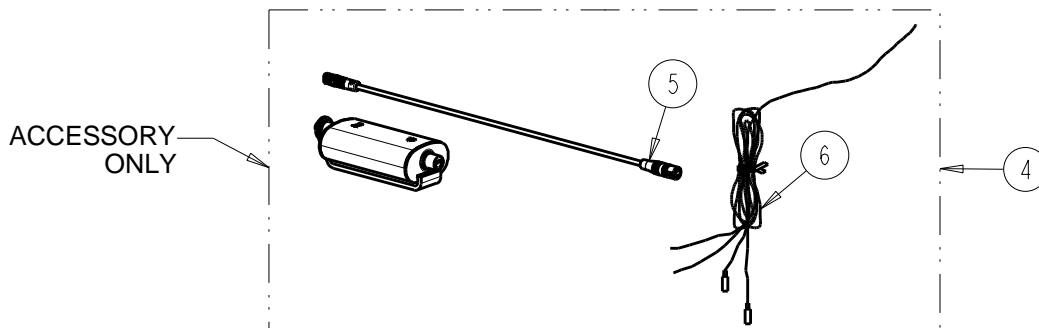
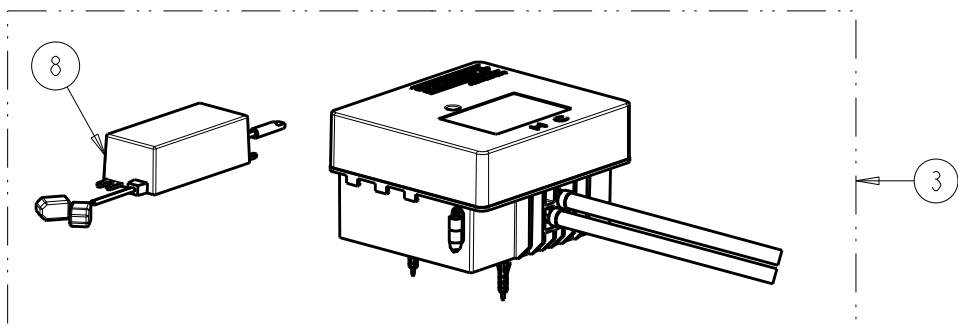
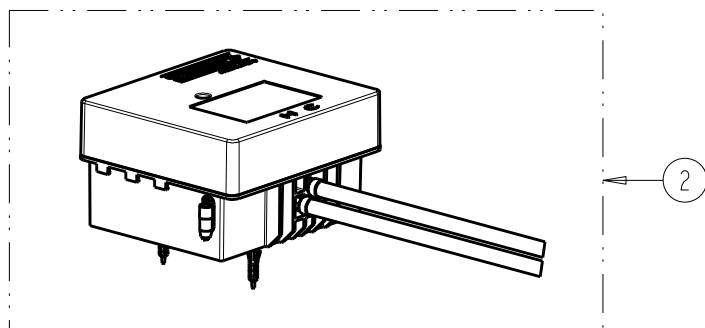
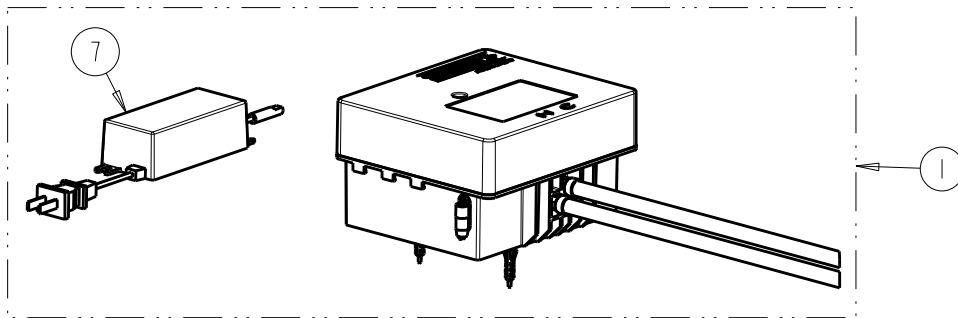
BN=BRUSHED NICKEL



NOTE:
ITEM 4 INCLUDES DECK GASKET FOR EACH SPOUT DESIGN AND HOSE O-RINGS.

ITEM	PART NO.	DESCRIPTION
1	EQ-B11A-KJKABCP	KIT, EQ SQUARE SPOUT w/ 0.5 GPM
2	EQ-B11A-KJKABBN	KIT, EQ SQUARE SPOUT w/ 0.5 GPM
3	243.145.AB.1	KIT, OUTLET FOR EQ 0.5 GPM
4	243.150.AB.1	KIT, SPOUT SEAL EQ SERIES
5	243.148.00.1	KIT, HARDWARE FOR EQ SQUARE SPOUT
6	-----	O-RING #011, DRINKING WATER COMPLIANT
7	EQ-B12-KJKCP	KIT, 4" COVER PLATE - EQ SQUARE
8	EQ-B12-KJKBN	KIT, 4" COVER PLATE - EQ SQUARE
9	EQ-B13-KJKCP	KIT, 8" COVER PLATE - EQ SQUARE
10	EQ-B13-KJKBN	KIT, 8" COVER PLATE - EQ SQUARE
11	243.181.00.1	KIT, HARDWARE FOR EQ COVER PLATES

FOR TECHNICAL ASSISTANCE
1-800-TEC-TRUE (1-800-832-8783)



ITEM	PART NO.	DESCRIPTION
1	EQ-32KJKABNF	CONTROL BOX ASSY EQ IR BATT ACPI MECH
2	EQ-42KJKABNF	CONTROL BOX ASSY EQ IR BATT ACLP MECH
3	EQ-52KJKABNF	CONTROL BOX ASSY EQ IR BATT ACHW MECH
4	EQ-012JKNF	BROWN OUT AND CABLES FOR EQ
5	EQ-011JKNF	CABLE WITH CONNECTORS FOR EQ
6	EQ-010JKNF	CABLE WITH CONNECTORS 2M LONG FOR EQ
7	EQ-003JKNF	POWER SUPPLY-PLUG-IN FOR EQ
8	EQ-005JKNF	POWER SUPPLY-HARDWIRE FOR EQ

CHICAGO FAUCETS 

a Geberit company

2100 South Clearwater Drive
Des Plaines, IL 60018
Phone: 847-803-5000
Fax: 847-803-5454
www.chicagofaucets.com

REPAIR PARTS

BY: JAR DATE: 12-17-14

CHK: REV: 06-17-15

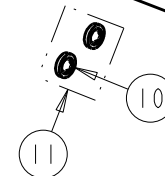
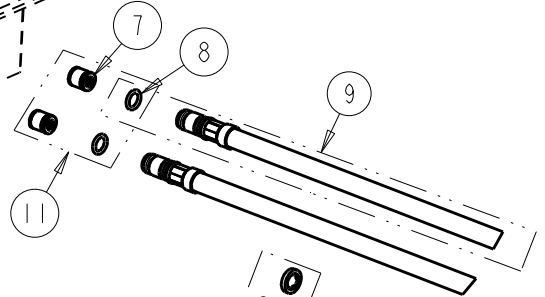
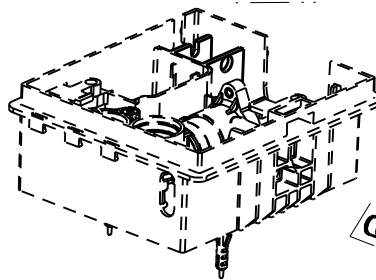
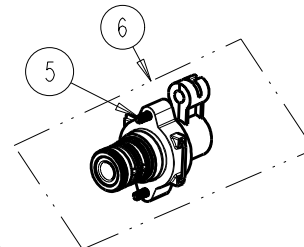
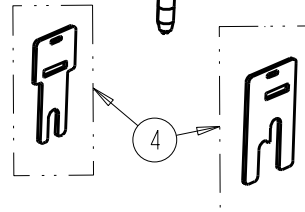
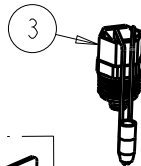
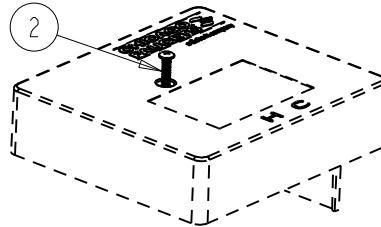
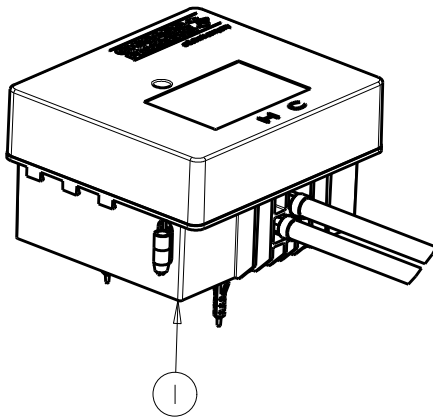
FITTING NO.

AC-MECH-MIXER-JK

SUBMITTED MODEL NO.

ITEM NO.

FOR TECHNICAL ASSISTANCE
1-800-TEC-TRUE (1-800-832-8783)



ITEM	PART NO.	DESCRIPTION
1	EQ-42KJKABNF	CONTROL BOX ASSY EQ IR BATT ACLP MECH
2	-----	SCREW, #8 X 1-1/4" LONG PLASTITE TYPE
3	243.152.AB.1	SOLENOID VALVE, DN5
4	243.158.00.1	CONTROL BOX HARDWARE KIT FOR EQ
5	-----	BONNET HEX SCREW, M4x0.7x16mm
6	243.155.AB.1	REBUILD KIT FOR EQ DS MECH
7	550-009KJKABNF	CHECK-CARTRIDGE
8	-----	O-RING #011, DRINKING WATER COMPLIANT
9	243.157.AB.1	INLET SUPPLY HOSE FOR EQ
10	3300-005JKABNF	FILTER/SCREEN
11	243.159.AB.1	KIT, SEALS AND CHECKS FOR EQ