

Single Handle Tub & Shower Faucet

Product Spec Sheet



FEATURES & BENEFITS

- Acrylic Round Handle
- Non Pressure Balanced
- Diverter Spout
- Max Flow Rate 2.5 GPM(9.5 LPM) at 80 PSI (ASME.A112.18.1)

VE-772C
Chrome Finish

VE-762C
Less Spout
Chrome Finish

Approval s:
Meets or Exceeds The Following:

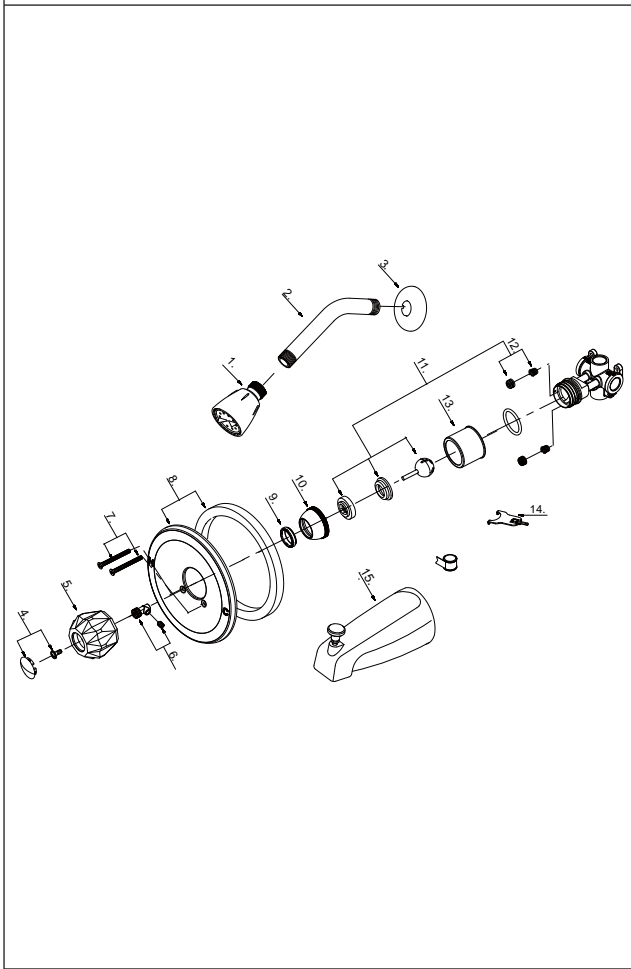
- * ANSI/ASME A112.18.1
- * IAPMO/UPC



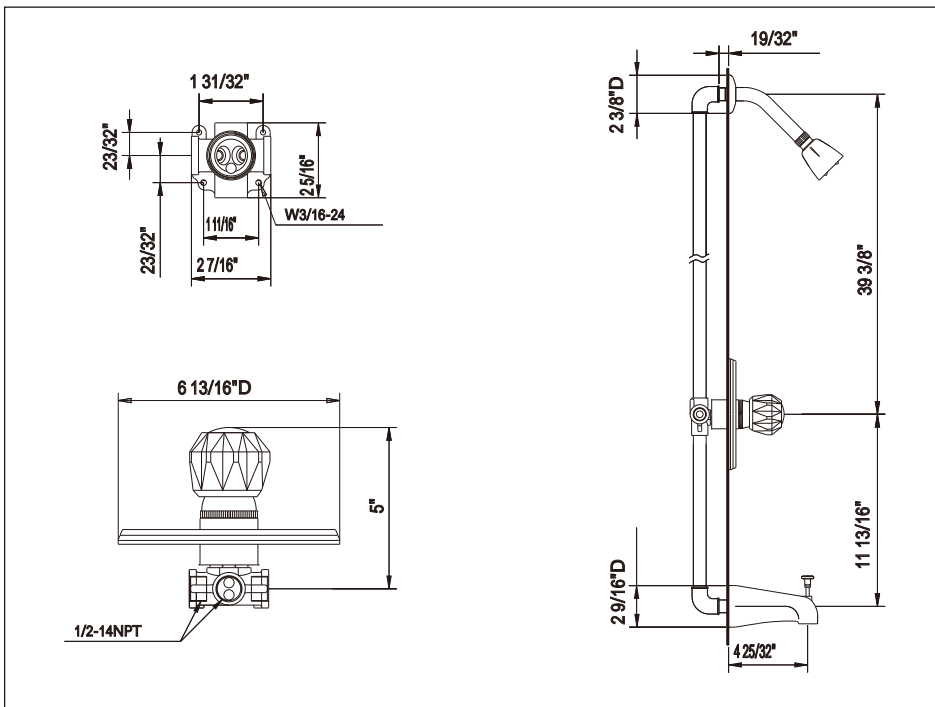
CALIFORNIA:	TEL: 866-532-8306	FAX: 866-532-8307
TEXAS:	TEL: 800-935-5456	FAX: 800-683-4247
NEW YORK:	TEL: 800-431-2082	FAX: 800-640-2252

Single Handle Tub & Shower Faucet

No.	Name	Material
1	Shower Head	Plastic
2	Shower Arm	Brass
3	Shower Arm Flange	Brass
4	Index Button-Cold/Hot	Plastic & Stainless Steel
5	Acrylic Handle	Acrylic
6	Handle Adaptor	Stainless Steel
7	Screw Set (3/16" -24 * 2-15/16" L)	Stainless Steel
8	Escutcheon Assembly	Stainless Steel & Rubber
9	Locking Nut	Brass
10	Trim Cap	Zinc Alloy
11	Ball Valve Assembly	Stainless Steel & Plastic
12	Seat & Spring Set	Stainless Steel & Plastic
13	Sleeve	Brass
14	Wrench	Stainless Steel
15	Spout W/ Diverter (Threaded)	Zinc Alloy



Product Spec Sheet



Approvals:
Meets or Exceeds The Following:

- * ANSI/ASME A112.18.1
- * IAPMO/UPC

CALIFORNIA: TEL: 866-532-8306 FAX: 866-532-8307
TEXAS: TEL: 800-935-5456 FAX: 800-683-4247
NEW YORK: TEL: 800-431-2082 FAX: 800-640-2252