

**BL-730C**     **BL-730BN**     **BL-730ORB**     **BL-720C**  
 **BL-720BN**     **BL-720ORB**     **BL-700C**     **BL-700BN**  
 **BL-700ORB**     **BL-730CJP**     **BL-730BNJP**     **BL-730ORBJP**     **BL-720CJP**  
 **BL-720BNJP**     **BL-720ORBJP**     **BL-700CJP**     **BL-700BNJP**     **BL-700ORBJP**



## Single Handle Tub & Shower Faucet

# Product Spec Sheet



### FEATURES & BENEFITS

- Metal Lever Handle
- Washerless Pressure Balancing Valve
- Slip Fit Diverter Spout
- Max Flow Rate 2.5 GPM(9.5 LPM) at 80 PSI (ASME.A112.18.1)

#### APPROVALS:

Meets or Exceeds The Following:

- \* ANSI/ASME A112.18.1
- \* IAPMO/UPC

BL-730C  
Tub & Shower Faucet  
Chrome Finish

BL-730BN  
Tub & Shower Faucet  
Brushed Nickel Finish

BL-730ORB  
Tub & Shower Faucet  
Oil Rubbed Bronze Finish

BL-720C  
Shower Only Faucet  
Chrome Finish

BL-720BN  
Shower Only Faucet  
Brushed Nickel Finish

BL-720ORB  
Shower Only Faucet  
Oil Rubbed Bronze Finish

BL-700C  
Valve Only Faucet  
Chrome Finish

BL-700BN  
Valve Only Faucet  
Brushed Nickel Finish

BL-700ORB  
Valve Only Faucet  
Oil Rubbed Bronze Finish

BL-730CJP  
Trim Kit For Tub & Shower Faucet  
Chrome Finish

BL-730BNJP  
Trim Kit For Tub & Shower Faucet  
Brushed Nickel Finish

BL-730ORBJP  
Trim Kit For Tub & Shower Faucet  
Oil Rubbed Bronze Finish

BL-720CJP  
Trim Kit For Shower Only Faucet  
Chrome Finish

BL-720BNJP  
Trim Kit For Shower Only Faucet  
Brushed Nickel Finish

BL-720ORBJP  
Trim Kit For Shower Only Faucet  
Oil Rubbed Bronze Finish

BL-700CJP  
Trim Kit For Valve Only Faucet  
Chrome Finish

BL-700BNJP  
Trim Kit For Valve Only Faucet  
Brushed Nickel Finish

BL-700ORBJP  
Trim Kit For Valve Only Faucet  
Oil Rubbed Bronze Finish



**CALIFORNIA:**  
**TEXAS:**  
**NEW YORK:**

**TEL: 866-532-8306**  
**TEL: 800-935-5456**  
**TEL: 800-431-2082**

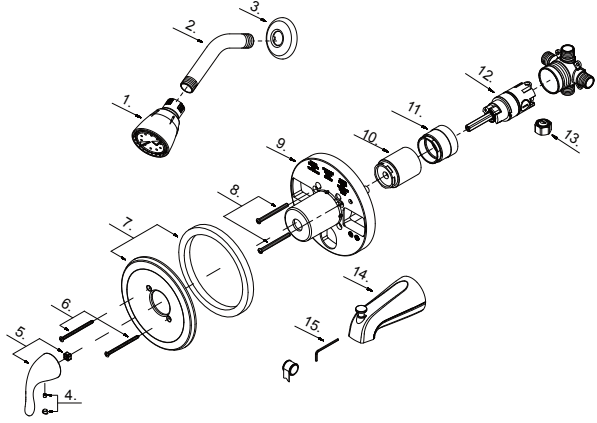
**FAX: 866-532-8307**  
**FAX: 800-683-4247**  
**FAX: 800-640-2252**

- BL-730C**     **BL-730BN**     **BL-730ORB**     **BL-720C**
- BL-720BN**     **BL-720ORB**     **BL-700C**     **BL-700BN**
- BL-700ORB**     **BL-730CJP**     **BL-730BNUP**     **BL-730ORBJP**     **BL-720CJP**
- BL-720BNUP**     **BL-720ORBJP**     **BL-700CJP**     **BL-700BNUP**     **BL-700ORBJP**

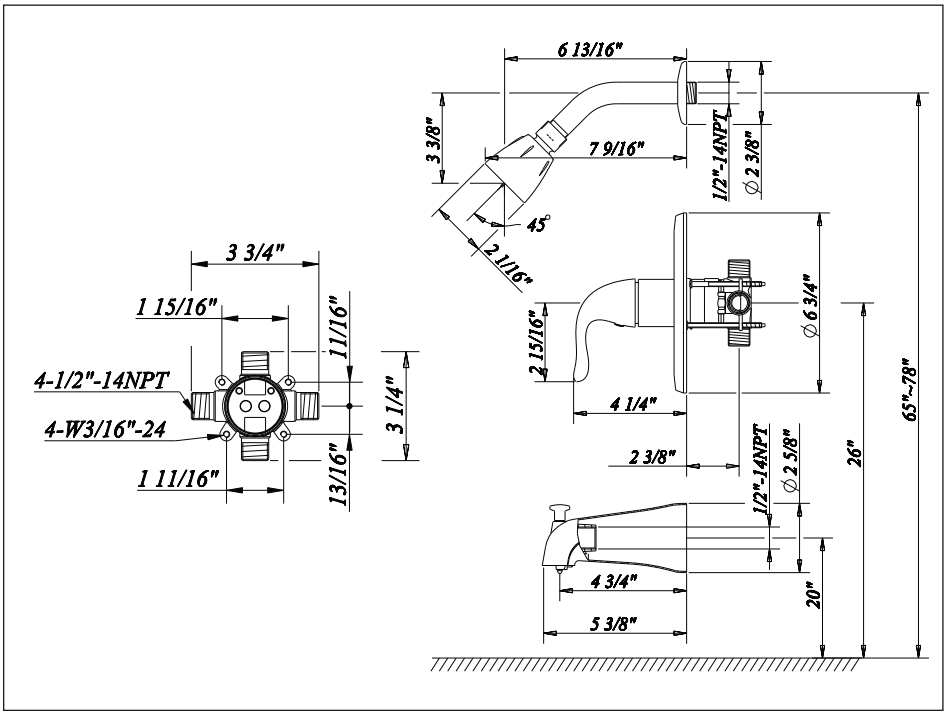


# Single Handle Tub & Shower Faucet

No.	Name	Material
1	Shower Head	Plastic
2	Shower Arm	Brass
3	Shower Arm Flange	Brass
4	Index Button-Cold/Hot	Plastic
5	Metal Handle Assembly	Zinc Alloy
6	Screw Set(3/16" -24 * 3" L)	Stainless Steel
7	Escutcheon Assembly	Brass
8	Screw Set (3/16" -24 * 2-3/16" L)	Stainless Steel
9	Plaster Guard	Plastic
10	Sleeve	Plastic
11	Retainer Nut	Brass
12	Washerless Cartridge Assembly	Plastic & Brass
13	Plug	Brass
14	Spout W/Diverter (Slip Fit)	Zinc Alloy
15	Hex Wrench (H2.5 * 19 mm L * 53 mm L)	Stainless Steel



**Product Spec Sheet**



**APPROVALS:**  
 Meets or Exceeds The Following:  
 \* ANSI/ASME A112.18.1  
 \* IAPMO/UPC

**CALIFORNIA:** TEL: 866-532-8306 FAX: 866-532-8307  
**TEXAS:** TEL: 800-935-5456 FAX: 800-683-4247  
**NEW YORK:** TEL: 800-431-2082 FAX: 800-640-2252

Visit Our Web Site : [www.matco-norca.com](http://www.matco-norca.com)