

## **4" Two Handle Lavatory Faucet**

# **Product Spec Sheet**



### **FEATURES & BENEFITS**

- This Product Contains Less Than 0.25% Weighted Average Lead Content On Wetted Surfaces
- Wrist Blade Handles
- Washerless Cartridges
- Max Flow Rate 1.5 GPM(5.7 LPM) at 60 PSI (ASME.A112.18.1)

VE-400CLB  
Chrome Finish

#### **APPROVALS:**

**Meets or Exceeds The Following:**

- \* ANSI/ASME A112.18.1
- \* ANSI/NSF 61 – Sec. 9
- \* IAPMO/UPC
- \* CA AB1953



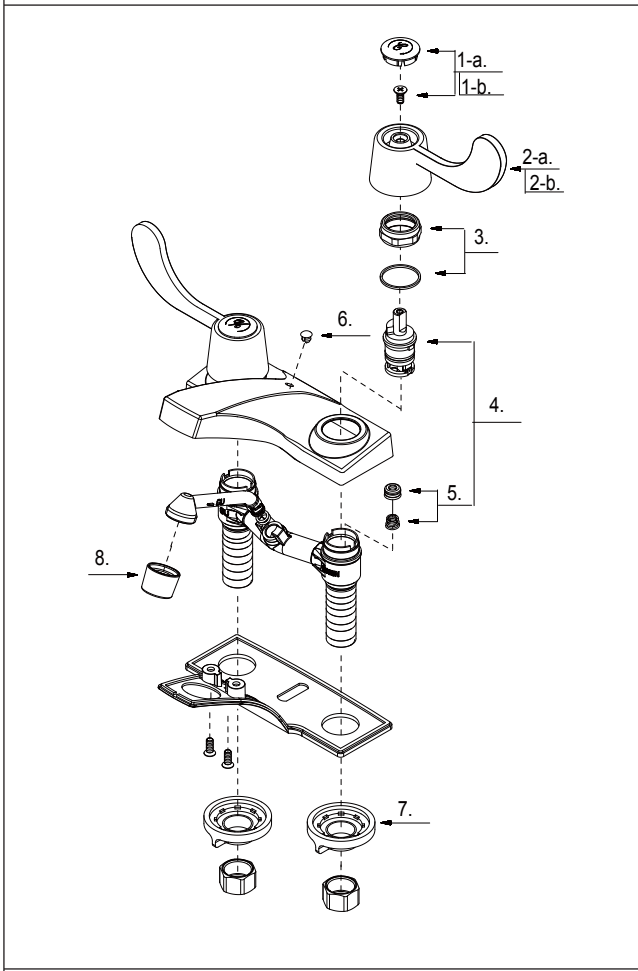
**CALIFORNIA:**  
**TEXAS:**  
**NEW YORK:**

**TEL: 866-532-8306**  
**TEL: 800-935-5456**  
**TEL: 800-431-2082**

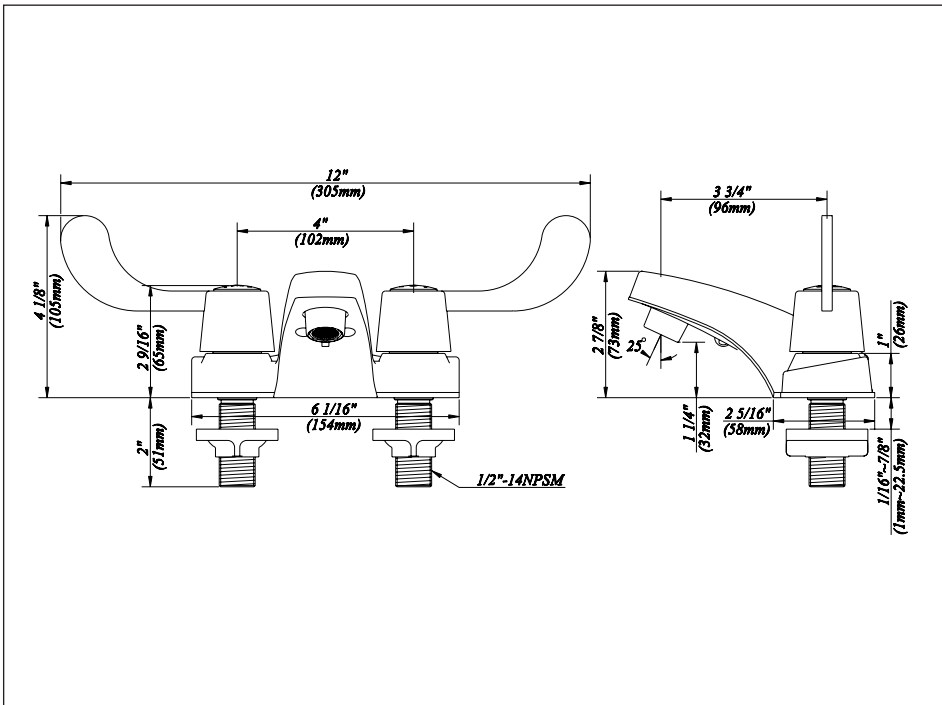
**FAX: 866-532-8307**  
**FAX: 800-683-4247**  
**FAX: 800-640-2252**

# 4" Two Handle Lavatory Faucet

No.	Name	Material
1-a	Index Button-Cold	Plastic
1-b	Index Button-Hot	Plastic
2-a	Metal Wrist Blade Handle-Cold	Zinc Alloy
2-b	Metal Wrist Blade Handle-Hot	Zinc Alloy
3	Retainer Nut Assembly	Brass & Rubber
4	Cartridge Assembly	Stainless Steel & Plastic
5	Seat & Spring Set	Stainless Steel & Plastic
6	Lift Rod Plug	Rubber
7	Lock Nut Set	Plastic
8	Aerator	Plastic & Brass



**Product Spec Sheet**



**APPROVALS:**  
**Meets or Exceeds The Following:**

- \* ANSI/ASME A112.18.1
- \* ANSI/NSF 61 – Sec. 9
- \* IAPMO/UPC
- \* CA AB1953

**CALIFORNIA:** TEL: 866-532-8306 FAX: 866-532-8307  
**TEXAS:** TEL: 800-935-5456 FAX: 800-683-4247  
**NEW YORK:** TEL: 800-431-2082 FAX: 800-640-2252