

## **Single Handle Tub & Shower Faucet**

# **Product Spec Sheet**



### **FEATURES & BENEFITS**

- Metal Lever Handle
- Non Pressure Balanced
- Diverter Spout
- Max Flow Rate 2.5 GPM(9.5 LPM) at 80 PSI (ASME.A112.18.1)

VE-770C  
Chrome Finish

VE-760C  
Less Spout  
Chrome Finish

#### **APPROVALS:**

**Meets or Exceeds The Following:**

- \* ANSI/ASME A112.18.1
- \* IAPMO/UPC



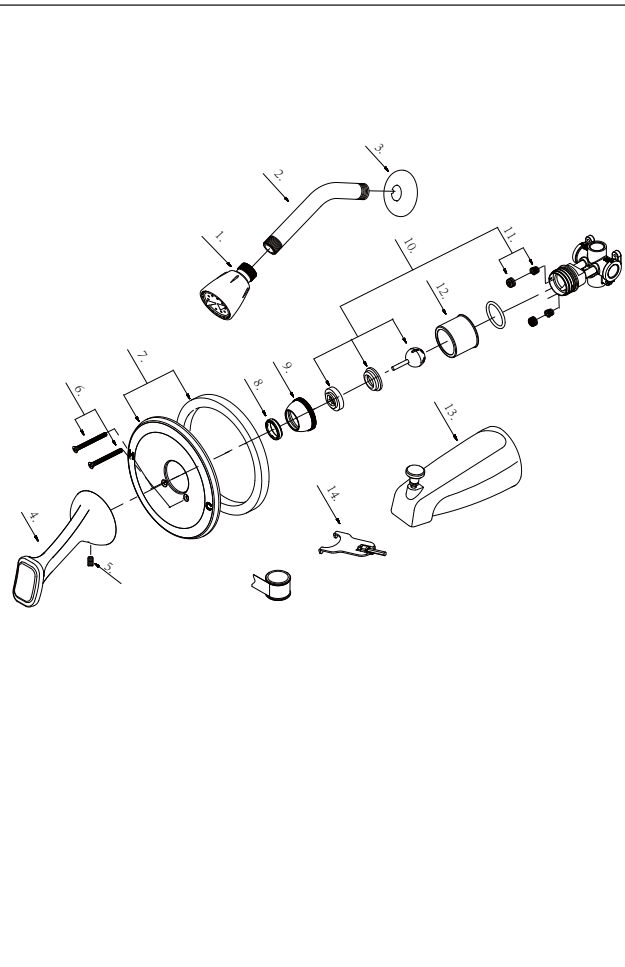
**CALIFORNIA:**  
**TEXAS:**  
**NEW YORK:**

**TEL: 866-532-8306**  
**TEL: 800-935-5456**  
**TEL: 800-431-2082**

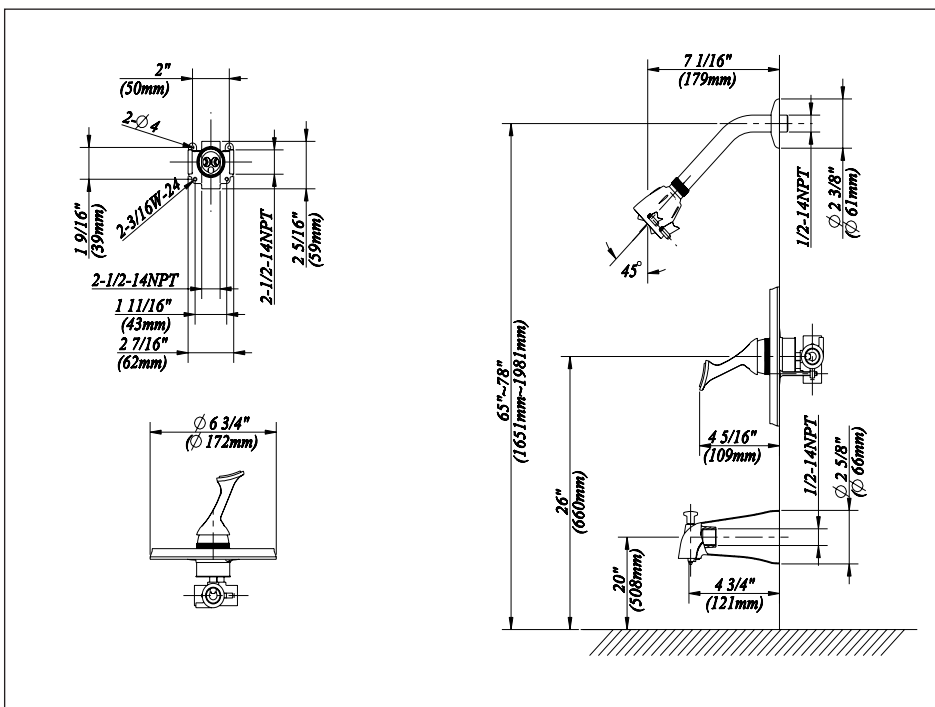
**FAX: 866-532-8307**  
**FAX: 800-683-4247**  
**FAX: 800-640-2252**

# Single Handle Tub & Shower Faucet

No.	Name	Material
1	Shower Head	Plastic
2	Shower Arm	Brass
3	Shower Arm Flange	Brass
4	Metal Handle	Zinc Alloy
5	Screw (1/4" -28UNF * 5/16" L)	Stainless Steel
6	Screw Set (3/16" -24 * 2-15/16" L)	Stainless Steel
7	Escutcheon Assembly	Stainless Steel
8	Locking Nut	Brass
9	Trim Cap	Zinc Alloy
10	Ball Valve Assembly	Stainless Steel
11	Seat & Spring Set	Stainless Steel & Plastic
12	Sleeve	Brass
13	Spout W/Diverter (Threaded)	Zinc Alloy
14	Wrench	Stainless Steel



**Product Spec Sheet**



**APPROVALS:**

Meets or Exceeds The Following:

- \* ANSI/ASME A112.18.1
- \* IAPMO/UPC

**CALIFORNIA:** TEL: 866-532-8306 FAX: 866-532-8307  
**TEXAS:** TEL: 800-935-5456 FAX: 800-683-4247  
**NEW YORK:** TEL: 800-431-2082 FAX: 800-640-2252