

- CL-732C** **CL-722C** **CL-702C**
- CL-732CJP** **CL-722CJP** **CL-702CJP**

Single Handle Tub & Shower Faucet

Product Spec Sheet



FEATURES & BENEFITS

- Acrylic Round Handle
- Washerless Pressure Balancing Valve
- Slip Fit Diverter Spout
- Max Flow Rate 2.5 GPM(9.5 LPM) at 80 PSI (ASME.A112.18.1)

APPROVALS:
Meets or Exceeds The Following:
 * ANSI/ASME A112.18.1
 * IAPMO/UPC

- CL-732C
Tub & Shower Faucet
Chrome Finish
- CL-722C
Shower Only Faucet
Chrome Finish
- CL-702C
Valve Only Faucet
Chrome Finish
- CL-732CJP
Trim Kit For Tub & Shower Faucet
Chrome Finish
- CL-722CJP
Trim Kit For Shower Only Faucet
Chrome Finish
- CL-702CJP
Trim Kit For Valve Only Faucet
Chrome Finish



CALIFORNIA:	TEL: 866-532-8306	FAX: 866-532-8307
TEXAS:	TEL: 800-935-5456	FAX: 800-683-4247
NEW YORK:	TEL: 800-431-2082	FAX: 800-640-2252

CL-732C
 CL-732CJP

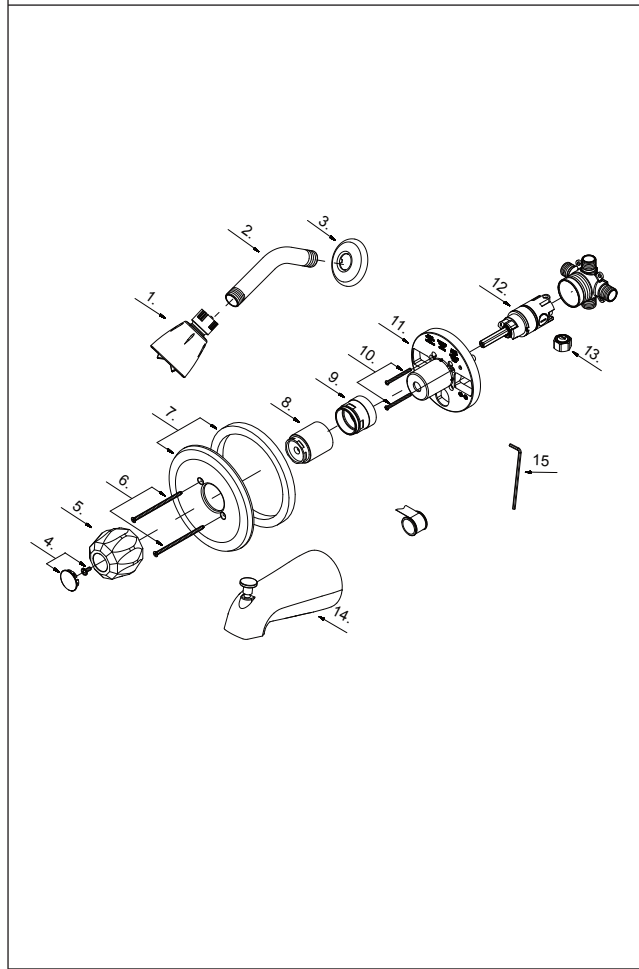
CL-722C
 CL-722CJP

CL-702C
 CL-702CJP

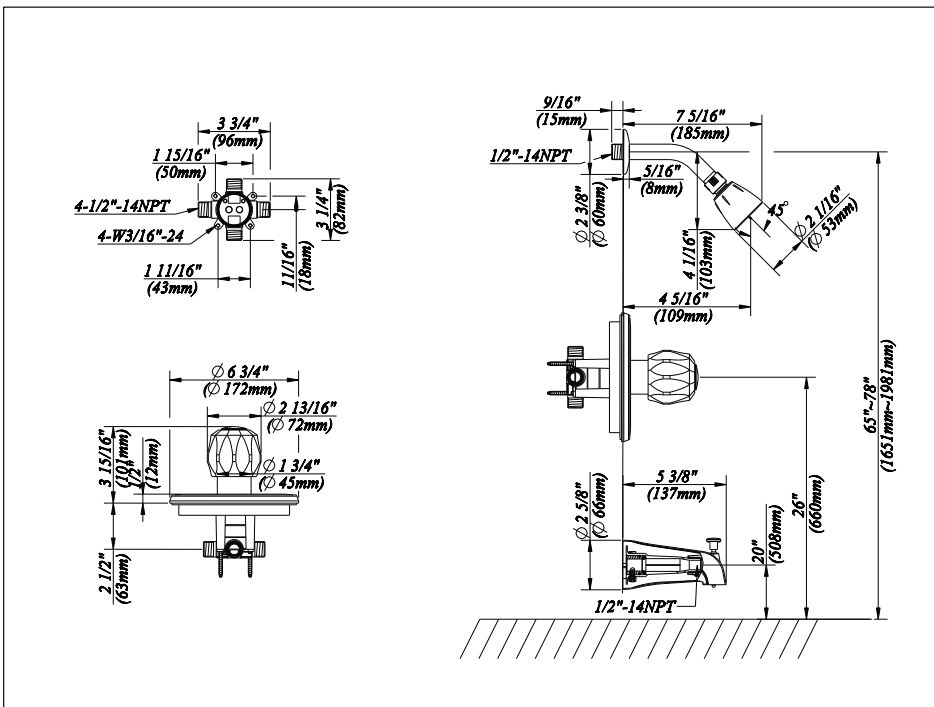


Single Handle Tub & Shower Faucet

No.	Name	Material
1	Shower Head	Plastic
2	Shower Arm	Brass
3	Shower Arm Flange	Brass
4	Handle Cap	Plastic
5	Acrylic Handle	Acrylic
6	Screw Set (3/16" -24 * 3-9/16" L)	Stainless Steel
7	Escutcheon Assembly	Stainless Steel
8	Sleeve	Plastic
9	Retainer Nut	Brass
10	Screw Set (3/16" -24 * 2-3/16" L)	Stainless Steel
11	Plaster Guard	Plastic
12	Washerless Cartridge Assembly	Plastic & Brass
13	Plug	Brass
14	Spout W/Diverter (Slip Fit)	Zinc Alloy
15	Hex Wrench (H3.18 *20 mm L * 90 mm L)	Stainless Steel



Product Spec Sheet



APPROVALS:

Meets or Exceeds The Following:

* ANSI/ASME A112.18.1

* IAPMO/UPC

CALIFORNIA: TEL: 866-532-8306 FAX: 866-532-8307

TEXAS: TEL: 800-935-5456 FAX: 800-683-4247

NEW YORK: TEL: 800-431-2082 FAX: 800-640-2252

Visit Our Web Site : www.matco-norca.com