

Sienna Technical Specification

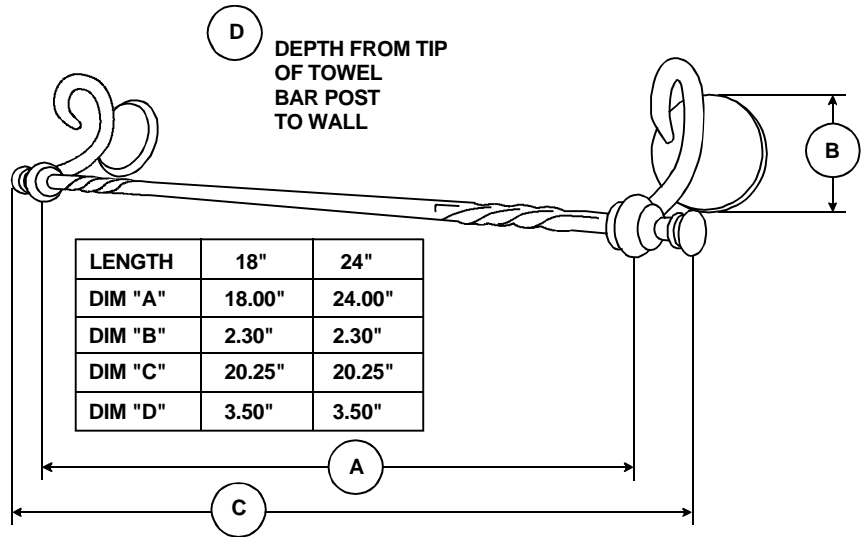
18" & 24" Towel Bar

DN4918 & DN4924

Stock Numbers:

- q **DN4918BK – 18" Towel Bar**
Black Finish
- q **DN4924BK – 24" Towel Bar**
Black Finish

Dimensions:



Materials:

Towel bars are constructed of wrought iron. Black finish is powder coated. Natural finish is painted and has an acrylic coating for added protection.

Installation Instructions:

1. Position the mounting template on the wall in the desired location. Using a level, align the template and tape it to the wall.
2. Remove the mounting bracket from the body by loosening the setscrew.
3. Place each mounting plate on the template with "UP" facing you.
4. One at a time, place each anchor screw through the mounting plate, centered in each large hole. Using a Phillips screwdriver, turn the anchor screw while applying pressure. Screw will self drill and tap into drywall. Do not over tighten.
5. Only insert screw 1/2 to 3/4 of the way into wall.
6. After all screws are installed, tear the template away from the wall
7. Tighten all 4 screws. Do not over tighten.
8. Assemble the towel bar and posts.
9. While assembled, position each end post with the setscrew down and place over both mounting plates. Tighten the setscrew at the bottom of each base.

Cleaning Instructions:

To preserve the fine finish of this product, clean only with a soft damp cloth. Dry well. Do not use commercial or abrasive cleaners.

Stock Number: _____ **Towel Bar**
By Creative Specialties



25300 AL MOEN DRIVE • NORTH OLMS TED, OH 44070
CORPORATE HEADQUARTERS: (800) 321-8809 • FAX: (800) 848-6636
INTERNATIONAL: (440) 962-2000 • FAX: (440) 962-2726
CUSTOMER SERVICE (USA): 800-882-0116 • FAX: (888) 379-2720
WWW.CSI.MOEN.COM

©Copyright Creative Specialties International 2006

Literature #BA1078