



Buy it for looks. Buy it for life.®

Specifications

SINK DESCRIPTION

- Manufactured of 18 gauge, type 304 nickel-bearing stainless steel
 - The single bowl is a minimum of 29" x 16" x 10"
 - Has one 3-1/2" diameter recessed drain opening
 - Is fully undercoated with a sound and temperature insulating material and sound deadening pads
 - The exposed surfaces are polished to a lustrous satin tone finish
 - Silicone sealant not provided. Includes mounting bracket.
- Other standard mounting hardware not included

INSTALLATION

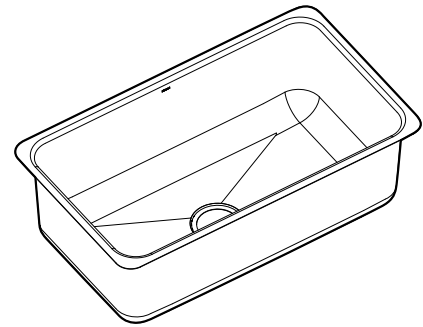
- Template enclosed with sink
- Template ordering number 22525

STANDARDS

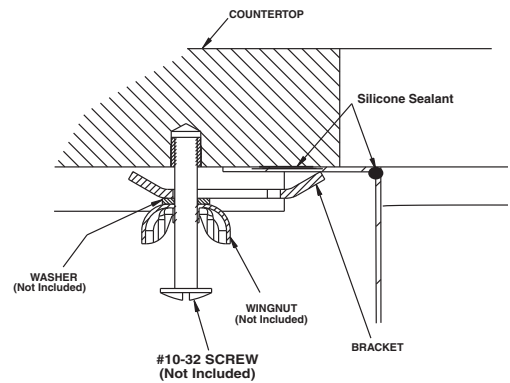
- Third party certified by IAPMO to meet ASME A112.19.3 and all applicable specifications referenced therein.

WARRANTY

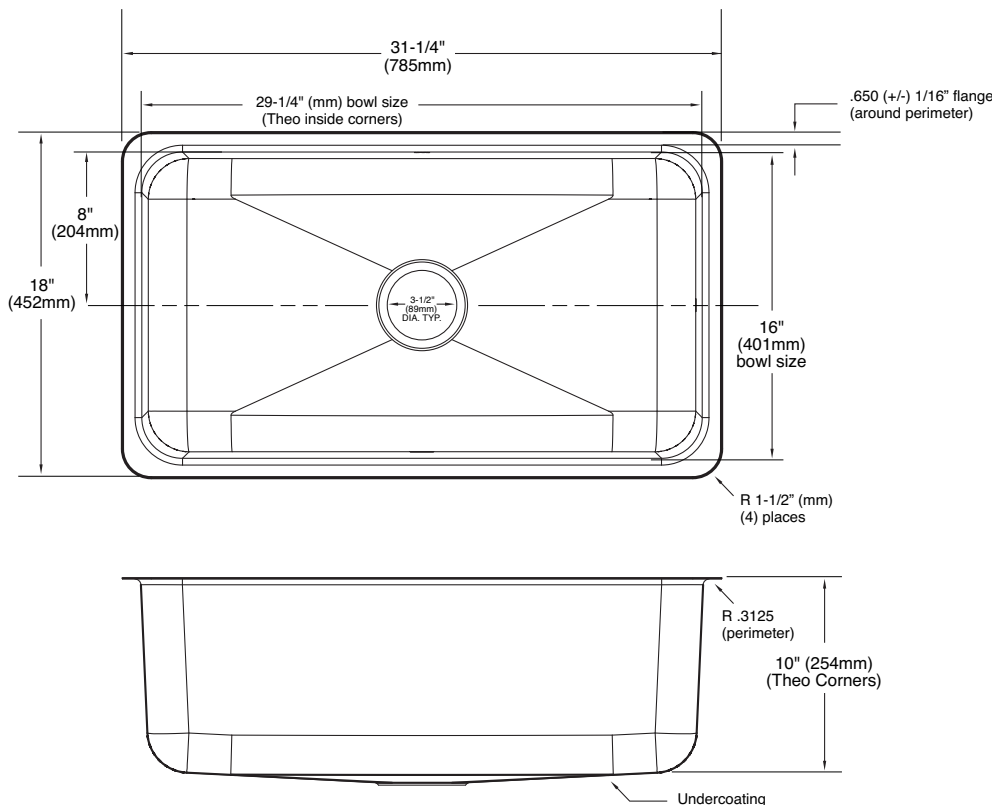
- Warranted for fifteen years against material or manufacturing defects



**Lancelot® Undermount
Single Bowl Kitchen Sink
Model: 22362
(UMTL-29"x16"x10")**



Installation Detail



CRITICAL DIMENSIONS

(DO NOT SCALE)