

# Retreat™ Technical Specification

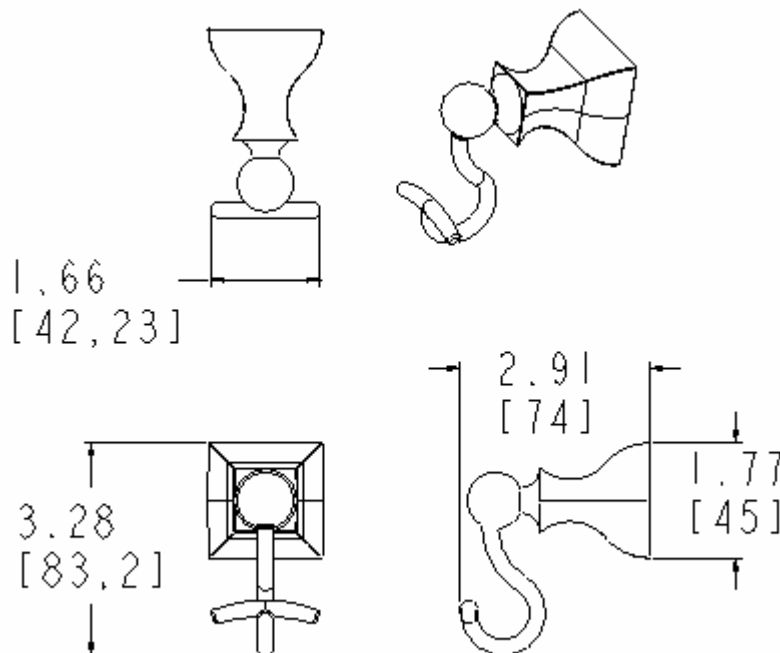
## Robe Hook

# DN8303

### Stock Numbers:

- q **DN8303BN – Robe Hook**  
Brushed Nickel Finish
- q **DN8303CH – Robe Hook**  
Chrome Finish
- q **DN8303TB – Robe Hook**  
Tuscan Bronze Finish

### Dimensions:



### Materials:

**Robe Hook** is constructed of zinc.

### Installation Instructions:

1. Remove mounting post from product assembly by loosening the setscrew.
2. Position the mounting post on the wall at desired location with notch facing downward, and mark both horizontal hole locations.
3. Drill 2 holes as marked using 5/16" drill bit.
4. Fold ends of the plastic toggle anchor together (see Figure 1) and insert into each hole in the wall.
5. Lightly tap anchors until flush with the wall.
6. One at a time, insert plastic pin into each anchor and lightly tap to activate anchor (see Figure 2). Remove pin and repeat on other anchor.
7. Place mounting post over anchors with notch facing downward, and insert screws through post into anchors.
8. Tighten screws.
9. Place assembly over the mounting post with setscrew facing down and tighten setscrew.

### Cleaning Instructions:

To preserve the fine finish of this product, clean only with a soft damp cloth. Dry well. Do not use commercial or abrasive cleaners.

**Stock Number:** \_\_\_\_\_ **Robe Hook**  
**By Creative Specialties**



25300 AL MOEN DRIVE • NORTH OLMSTED, OH 44070  
CORPORATE HEADQUARTERS: (800) 321-8809 • FAX: (800) 848-6636  
INTERNATIONAL: (440) 962-2000 • FAX: (440) 962-2726  
CUSTOMER SERVICE (USA): 800-882-0116 • FAX: (888) 379-2720

©Copyright Creative Specialties International 2005

Literature #BA1324