

DESCRIPTION

- Metal construction with chrome plated finish
- 2 piece clamshell design for easy installation & maintenance
- Transitional style
- Single mount
- Vandal resistant aerator
- Flexible stainless steel supply lines


OPERATION

- Adjustable sensor activation distance
- Vandal Mode: 30 second time-out feature
- Sentinel Flow: Eliminates stagnant water in supply lines every 24 hours (factory setting – off)
- Maintenance / Cleaning Mode: Allows for a 30 second deactivation for maintenance or cleaning
- Battery 4(AA) or AC powered
- Low battery indicator light
- Battery life: Up to 6 years or 350,000 cycles*
- Built-in mixing-manual on/off handle (8554AC/8554 models)
- In-line filters included

FLOW

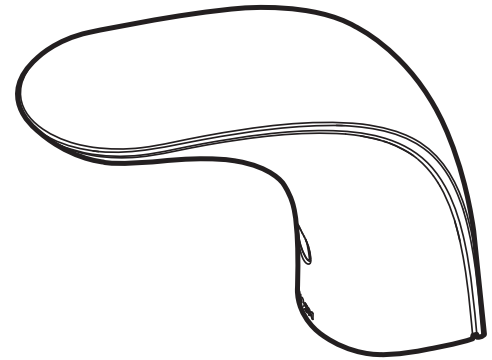
- 0.5 gpm (1.9 L/min) vandal-resistant multi-stream laminar flow

STANDARDS

- Third party certified to meet ASME A112.18.1/CSA B-125.1, and all applicable requirements referenced therein
- Contains no more than 0.25% weighted average lead content
- Complies with California Proposition 65 and with the Federal Safe Drinking Water Act
- **ADA**  compliant

WARRANTY

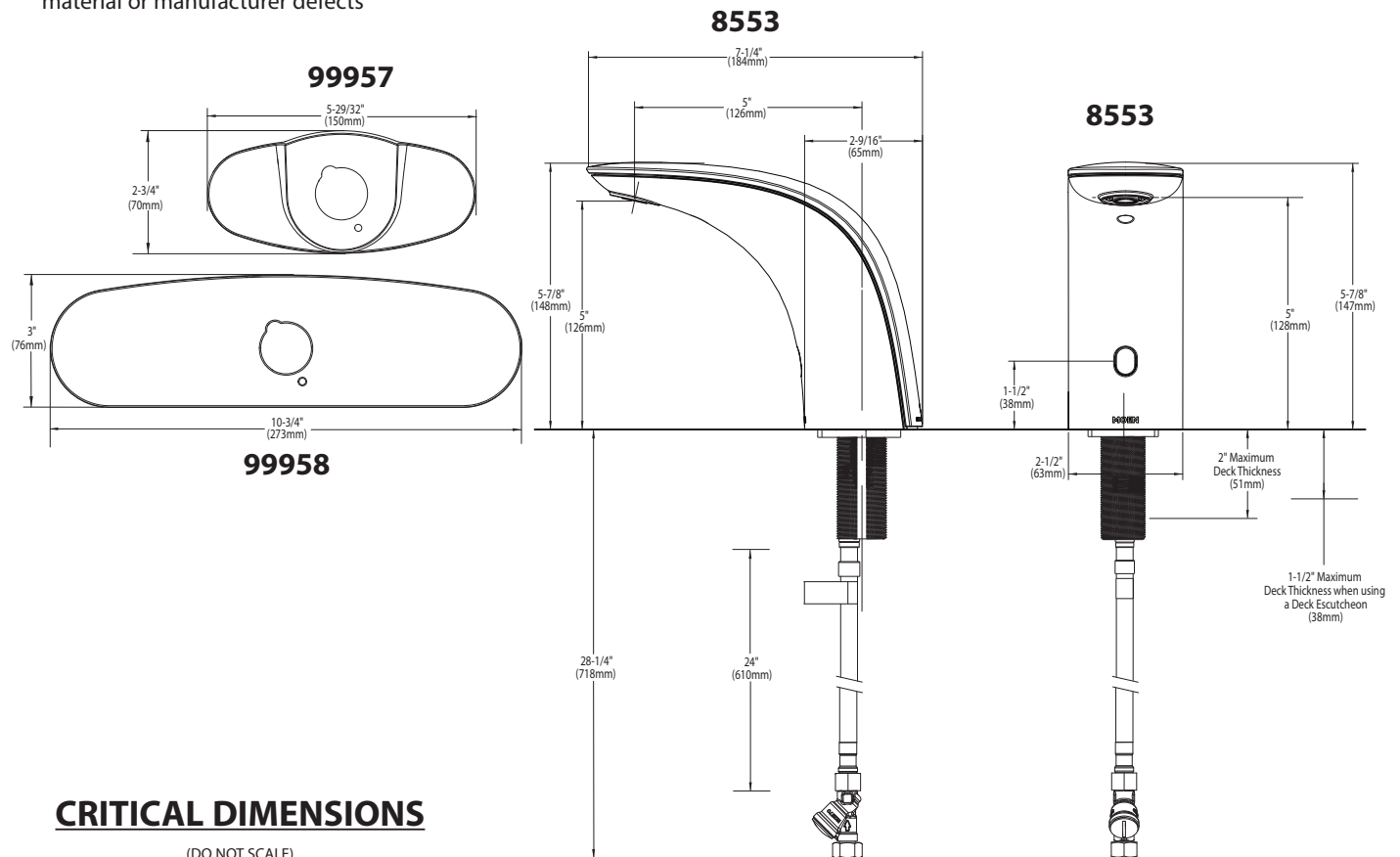
- Warranted for 5 years against material or manufacturer defects



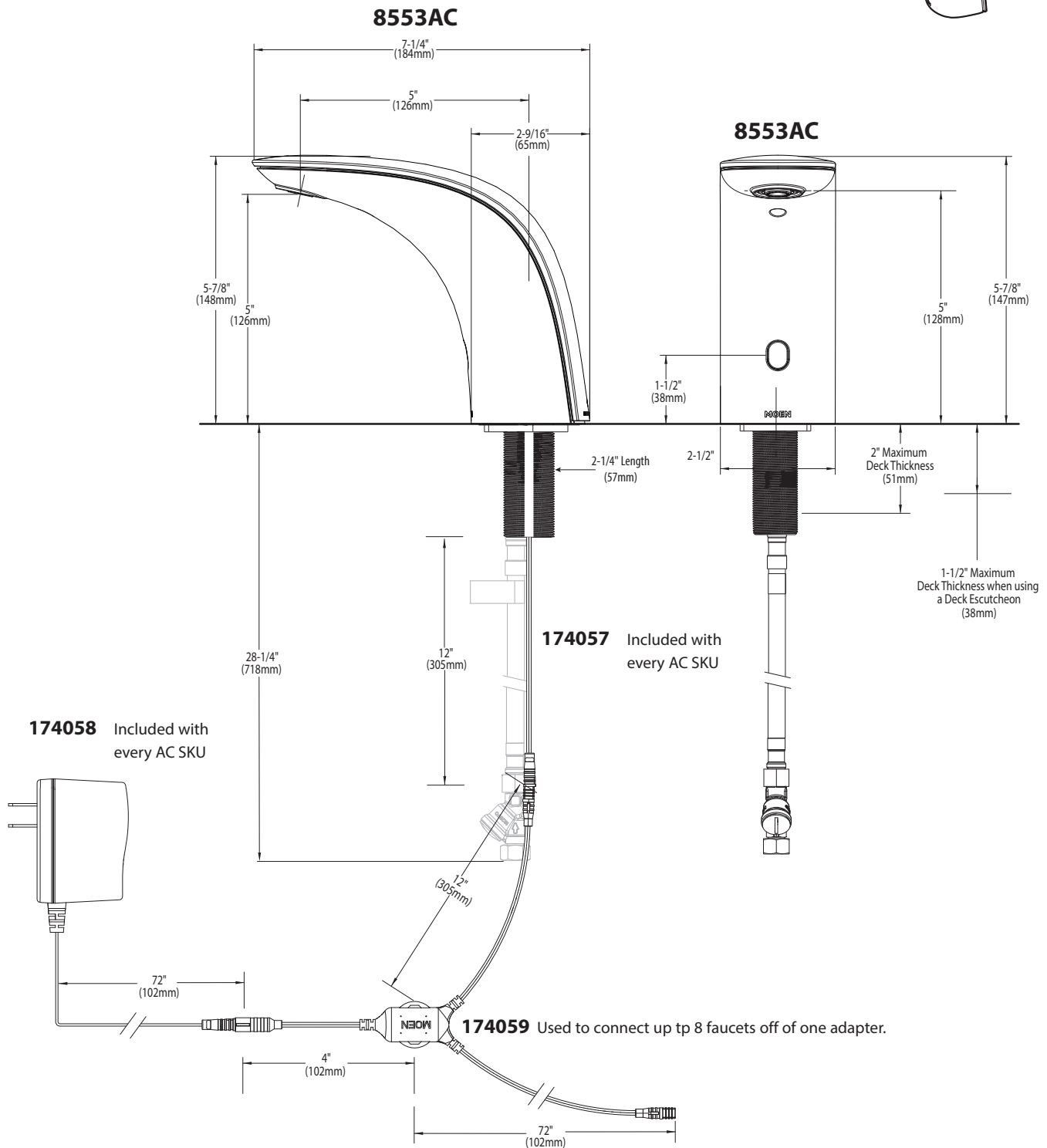
Electronic Faucet Above-Deck Transitional Style

Model: 8553, 8553AC (non-mixing)

NOTE: DESIGNED TO BE INSTALLED THROUGH ONE HOLE 1-1/4" MIN. DIA.
(see the following page for model 8553AC)



* Typical alkaline battery life at 200 uses per day is about 3 years



CRITICAL DIMENSIONS

(DO NOT SCALE)