



A Moen Incorporated Brand

S P E C I F I C A T I O N S H E E T

DESCRIPTION

- Metal construction with various finishes identified by suffix
- T41315CGR–shower only trim
- T41311CGR–tub/shower trim w/slip fit tub spout
- Twelve (12) individual boxes per master carton

OPERATION

- Rotating style metal lever handle
- Temperature control by 150° arc
- Will operate with less than 5 lbs of torque
- Metal escutcheon features back printed polycarbonate overlay with red/blue international temperature marking
- Protective rubber gaskets surround interior and exterior rim
- Weep hole located at bottom of escutcheon
- Slip fit tub spout connects to 1/2" pipe with bottom 5/32" set screw

FLOW

- Showerhead limited to 1.75 gpm (6.65 L/min) MAX at 80 psi

IN-WALL VALVE SOLD SEPARATELY

- 45311 CC/Male IPS with stops
- 45312 CC/Male IPS
- 45317 Female IPS with stops
- 45318 Female IPS
- 45319 PEX connections

STANDARDS

- Third party certified to WaterSense®, ASME A112.18.1/CSA B-125.1, and all applicable requirements referenced therein
- IAPMO Green Listed
- Features red/blue hot/cold temperature indicators

- **ADA** for lever handle

WARRANTY – RESIDENTIAL, COMMERCIAL

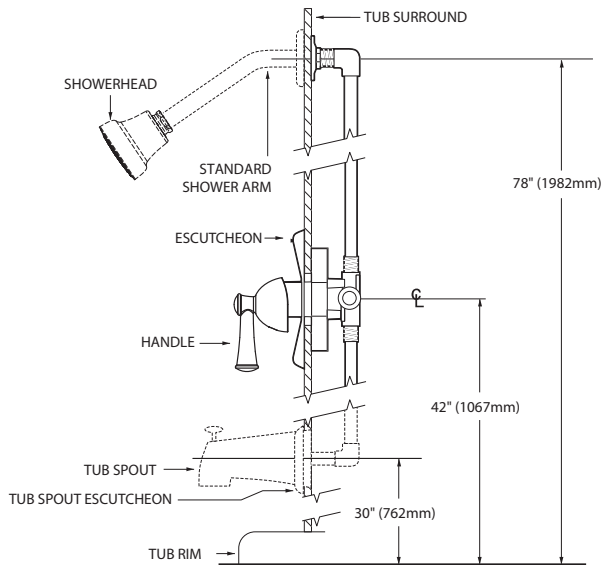
- Ten (10) year limited warranty against defects in materials and manufacturing workmanship
- Refer to the installation instructions enclosed with each CFG product or call 1-888-450-4910 for complete warranty information



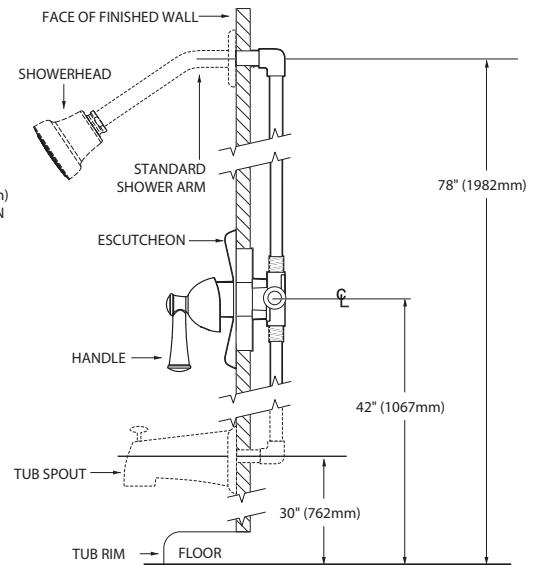
Capstone™

Trims for Pressure Balancing Cycling In-Wall Valve w/Water-Saving Showerhead

**Models: T41311CGR Series
T41315CGR Series**



THIN WALL



THICK WALL

CRITICAL DIMENSIONS

(DO NOT SCALE)