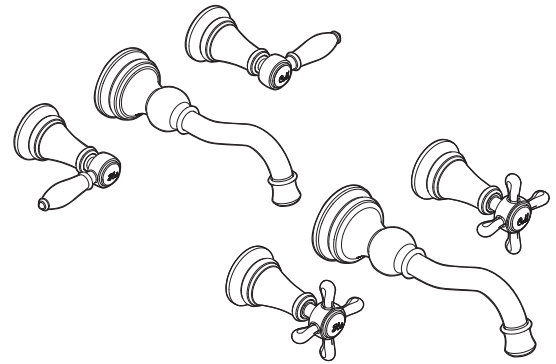




Buy it for looks. Buy it for life.®

Specifications



WEYMOUTH™

Two-Handle Wall Mount Faucet

Model: TS42106 series (Lever Handle)
TS42112 series (Cross Handle)

Valve: 9700



DESCRIPTION

- Metal construction with various finishes identified by suffix
- Designed to be installed through 2, 1-1/4" and 1, 1" min. dia. holes 8" on center
- 1/2" copper connections
- Adaptable for non-8" centers

OPERATION

- Maximum handle rotation angle is 90° to full on for either handle
- Rotate hot side counterclockwise to open and clockwise to close
- Rotate cold side clockwise to open and counterclockwise to close

FLOW

- Water usage is limited to these maximum flow rates as indicated by the corresponding product markings
 - 1.2 gpm max (4.5L/min) at 60 psi
 - 1.5 gpm max (5.7L/min) at 60 psi

CARTRIDGE

- 1224 cartridge design nonmetallic/nonferrous and stainless steel material

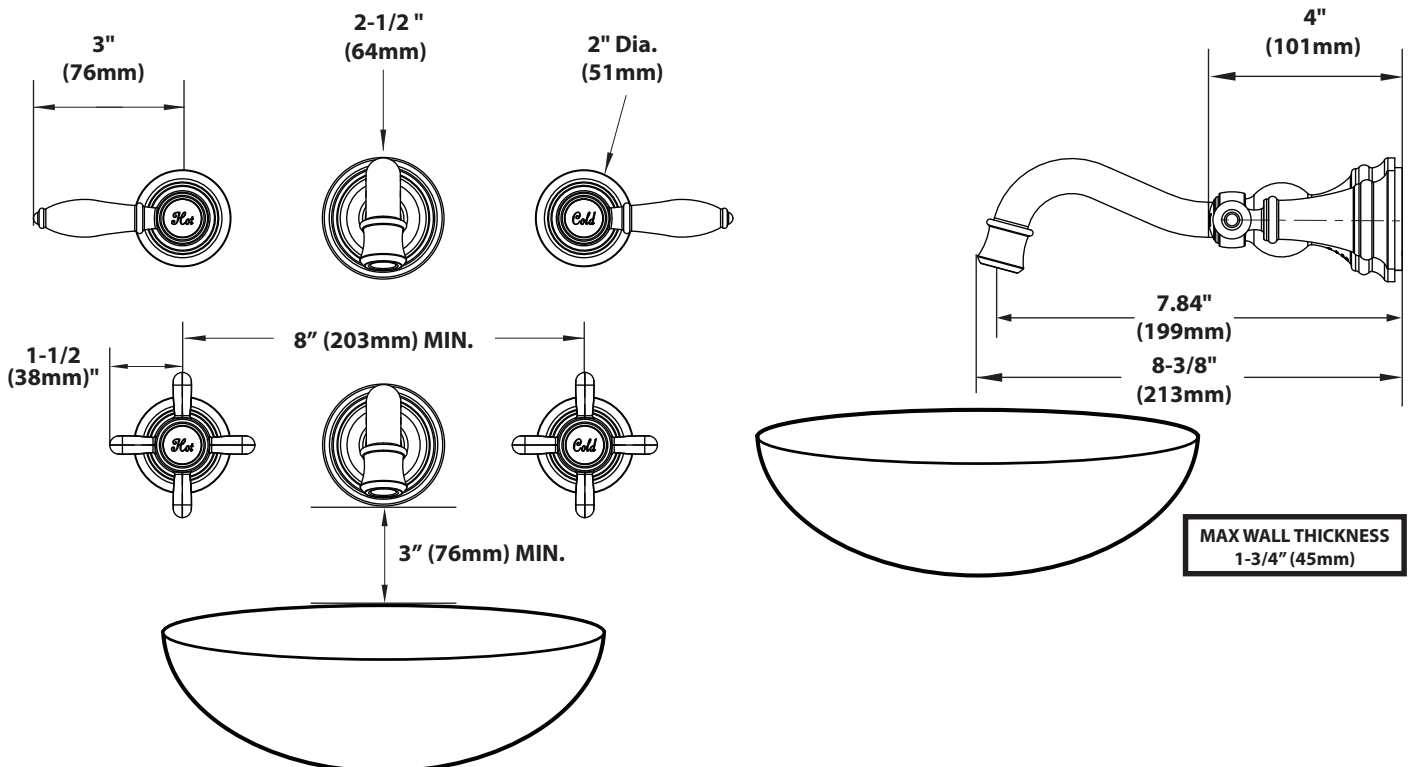
STANDARDS

- Third party certified to WaterSense,® ASME A112.18.1/CSA B125.1, and all applicable requirements referenced therein
- Certified to NSF 61/9 & 372
- Products marked with 1.2 gpm are compliant with California water efficiency regulations
- Complies with California Proposition 65 and with the Federal Safe Drinking Water Act

- **ADA** for lever handles

WARRANTY

- Lifetime limited warranty against leaks, drips and finish defects to the original consumer purchaser
- 5 year warranty if used in commercial installations



CRITICAL DIMENSIONS

(DO NOT SCALE)

FOR MORE INFORMATION CALL: 1-800-BUY-MOEN

www.moen.com