

PVC & CPVC
Schedule 80 Fittings,
Unions, Tank Adapters,
Expansion Joints
& Saddles



TECHNICAL INFORMATION WEIGHTS & DIMENSIONS



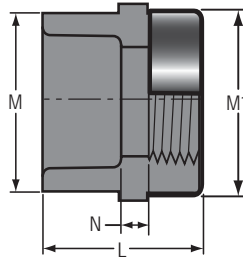
Visit our web site
www.spearsmfg.com



PVC & CPVC SCHEDULE 80 FITTINGS, UNIONS, TANK ADAPTERS, EXPANSION JOINTS & SADDLES

SPECIAL REINFORCED FEMALE ADAPTER

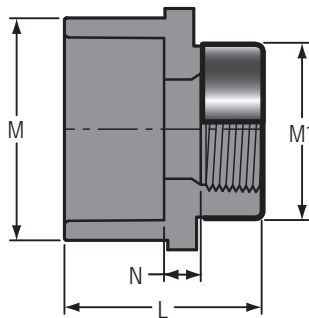
Socket x SR Fipt



Part Number		Size	L	M	M1	N	Approx. Wt. (Lbs.)	
PVC	CPVC						PVC	CPVC
835-002SR	835-002CSR	1/4	1-13/32	27/32	27/32	3/32	.03	.03
835-003SR	835-003CSR	3/8	1-15/32	15/16	31/32	3/32	.04	.04
835-005SR	835-005CSR	1/2	1-3/4	1-5/32	1-3/16	3/16	.06	.07
835-007SR	835-007CSR	3/4	1-7/8	1-13/32	1-3/8	3/32	.08	.09
835-010SR	835-010CSR	1	2-1/8	1-11/16	1-23/32	3/32	.13	.14
835-012SR	835-012CSR	1-1/4	2-5/16	2-3/32	2-1/16	3/32	.18	.20
835-015SR	835-015CSR	1-1/2	2-7/16	2-13/32	2-7/16	7/32	.26	.28
835-020SR	835-020CSR	2	2-23/32	3	3-1/32	1/4	.44	.45
835-025SR	835-025CSR	2-1/2	3-1/4	3-9/16	3-9/16	11/32	.68	.70
835-030SR	835-030CSR	3	3-1/2	4-1/4	4-9/32	7/32	.96	1.01
835-040SR	835-040CSR	4	3-31/32	5-7/32	5-1/4	7/32	1.29	1.35
835-060SR	835-060CSR	6	4-31/32	7-5/8	7-21/32	1/4	3.17	3.25

SPECIAL REINFORCED REDUCING FEMALE ADAPTER

Socket x SR Fipt



Part Number		Size	L	M	M1	N	Approx. Wt. (Lbs.)	
PVC	CPVC						PVC	CPVC
835-074SR	835-074CSR	1/2x3/4	1-3/4	1-3/16	1-3/8	7/32	.07	.08
835-101SR	835-101CSR	3/4x1/2	1-7/8	1-3/8	1-3/16	3/16	.07	.08
835-102SR	835-102CSR	3/4x1	2-1/16	1-7/16	1-11/16	7/32	.12	.13
835-130SR	835-130CSR	1x1/2	2	1-11/16	1-3/16	7/32	.10	.11
835-131SR	835-131CSR	1x3/4	2-3/32	1-3/4	1-3/8	1/4	.12	.13