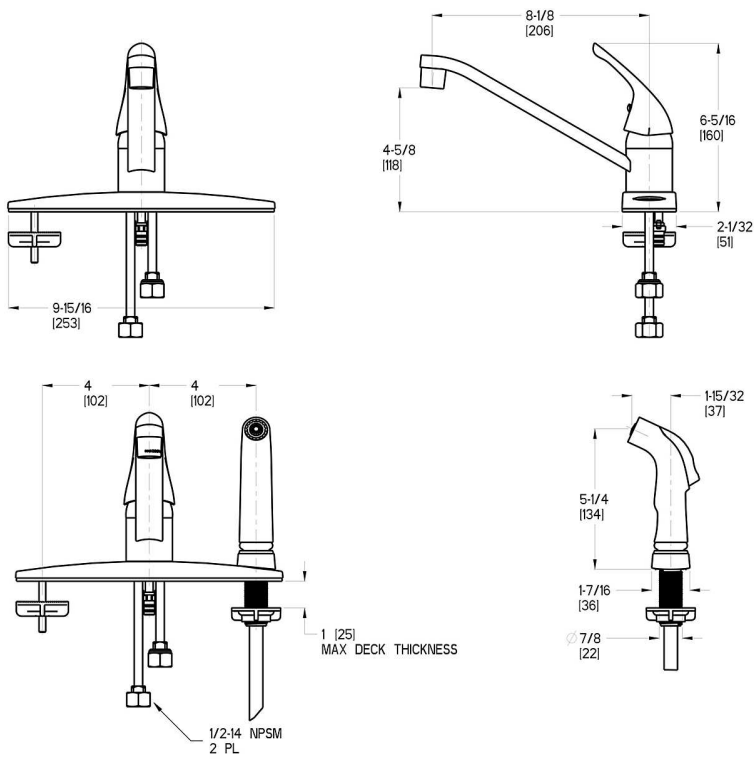


# Pfister G134-3444



$\varnothing$ 1 [25.4] Min to  $\varnothing$ 1-1/2 [38] Max. Deck Hole Openings.