

FAUCET DESCRIPTION

- Chrome plated metal construction
- Pressure balancing cycle valve design with 1/4 turn stops
- 1/2" CC connections
- Shower arm has 1/2" IPS male threads
- Diverter spout is 1/2" CC slip-fit design
- Vandal resistant screws
- Vandal resistant shower head

OPERATION

- Temperature valve has ADA compliant lever style handle
- Handle operates counterclockwise through a 270° arc with off at 6 o'clock, and maximum hot at the 9 o'clock position. Shut off in clockwise direction
- Adjustable temperature limit stop
- Pressure balancing mechanism maintains selected discharge temperature to ± 2°

FLOW

- **8389** (2.5gpm/9.5 lpm)
- **8389EP15** (1.5gpm/5.7 lpm); **WaterSense® Certified**

CARTRIDGE

- 1222HD brass cartridge design
- Brass construction with stainless steel materials
- Accommodates back-to-back installations

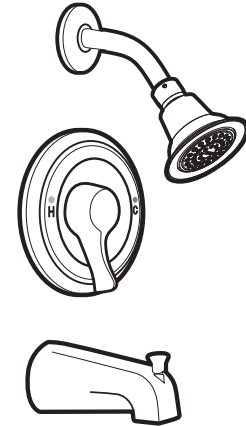
STANDARDS

- Third party certified to WaterSense® (only applies to 1.5 gpm), ASME A112.18.1/CSA B125.1 and all applicable requirements referenced therein including ASSE 1016

- **ADA**  for lever handle

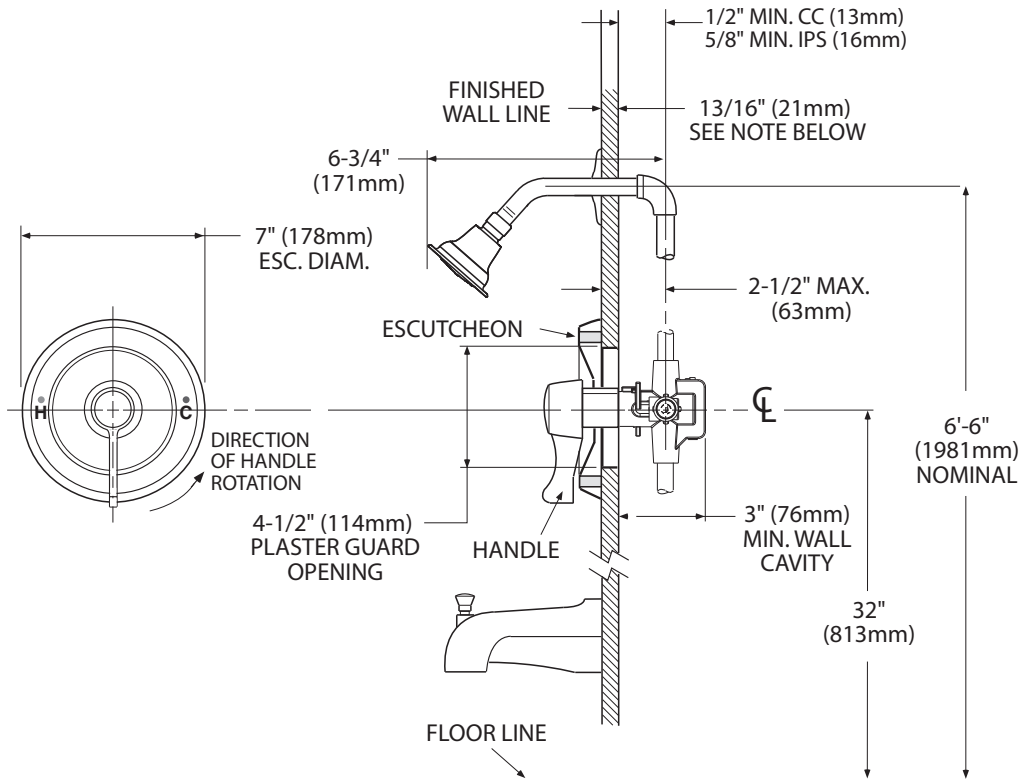
WARRANTY

- Warranted for 5 years against material or manufacturing defects



Single Handle Pressure Balancing Tub/Shower With Stops, HAF and Diverter Spout

Model: 8389, 8389EP15



CRITICAL DIMENSIONS

(DO NOT SCALE)