



Residential Submittal Sheet

150 Series

4-Way Ceiling Register

Model: 150
Description: 4-Way Stamped Ceiling Register

Standard Features:

- 4-Way ceiling register with stiffened 1/2" fan shaped louvers for silent operation
- Lever operated multi-shutter damper
- All component parts, rivets, linkage, and handle enclosed in valve to assure trouble-free operation
- Countersunk mounting holes for flush appearance with color matching Phillips posi-drive screws
- Soft White

Options:

- Face only (151)
- Lever operated Opposed Blade Damper (150-0)
- Tool operated Opposed Blade Damper (TO-150-0)
- Square to round ADC compliant 2" No Labor Collar with roll formed retention bead (150-NLC)

Tamper Proof Screws

- "F" Torx Center Pin

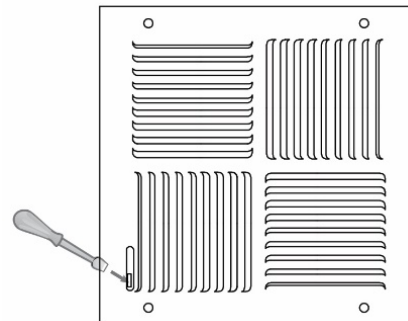
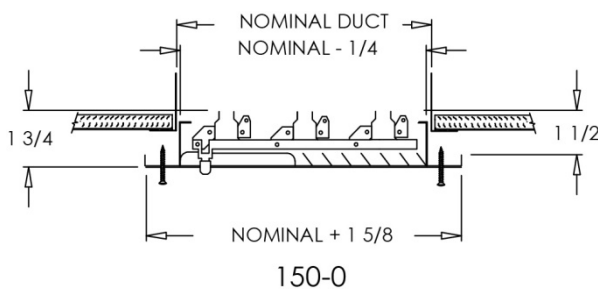
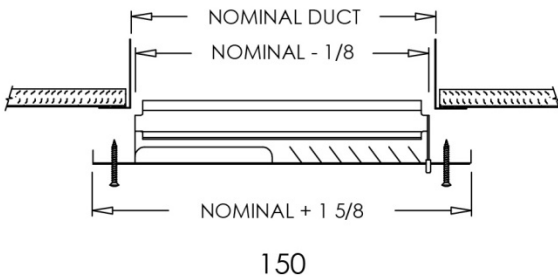
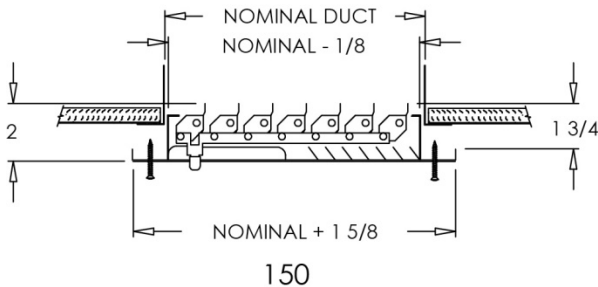
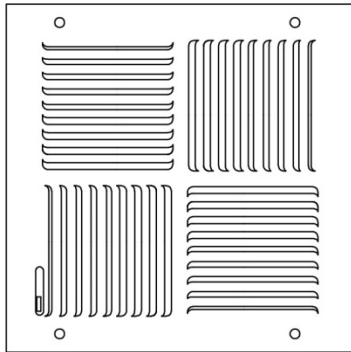
Finishes:

Standard Colors

- Soft White
- Driftwood Tan

Designer Colors

- Almond
- Black Velvet
- Bronze
- Camaro Silver
- Coffee Tan
- Navajo White
- Vanilla



Tool Operated OBD (TO-150-0)

Additional Information:

Project / Location:
Engineer:
Architect:
Contractor:

Submittal Notes