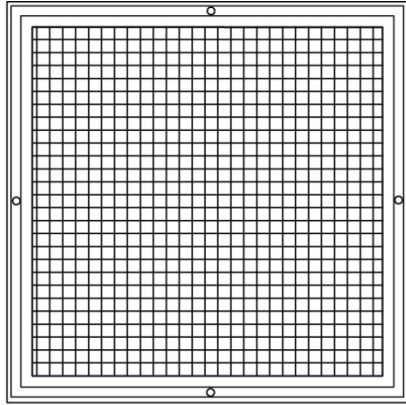




Commercial Submittal Sheet

600 Series

Aluminum Lattice Return Air Grille



Model: 600
Description: Aluminum Lattice Return Air Grille

Standard Features:

- 1/2" x 1/2" x 1/2" aluminum lattice surface mount grille
- Extruded aluminum frame with signature line marks
- Lattice material 90% free area
- Countersunk mounting holes for flush appearance with color matching Phillips posi-drive screws
- Rust resistant pre-coat with durable powder finish
- Soft White

Options:

- Recessed screwdriver operated Opposed Blade Damper (600-0)
- 1" x 1" x 1" Lattice
- 1/2" x 1/2" x 1" Lattice
- Continuous length with butt joints
- Fractional, exact I.D. and O.D. sizes
- MRI Compatible
- Insect Screen
- 2" ADC compliant round collar with bead for ease of installation – available in square sizes only
- T-20 Tamper Proof Screws

Finishes:

Standard Colors

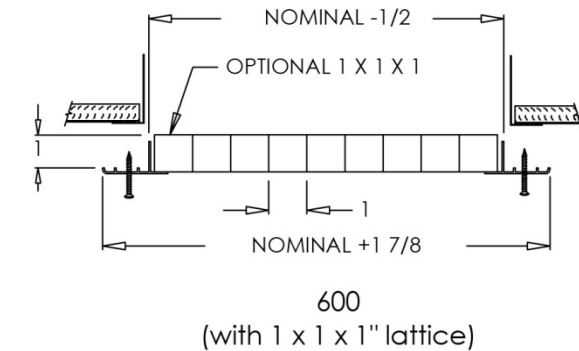
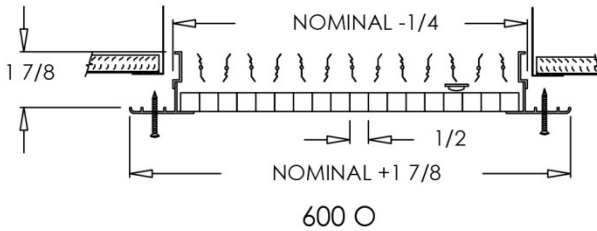
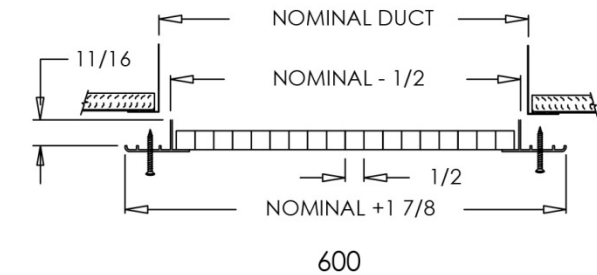
- Soft White
- Driftwood Tan

Designer Colors

- Almond
- Black Velvet
- Bronze
- Camaro Silver
- Coffee Tan
- Navajo White
- Vanilla

Other

- Aluminum Paint
- Glossy White
- Mill Finish



Additional Information:

Project / Location:	Submittal Notes
Engineer:	
Architect:	
Contractor:	