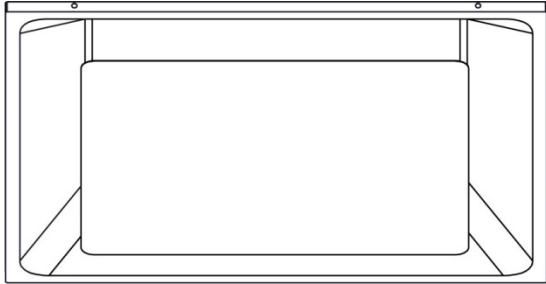




Commercial Submittal Sheet

HL Series

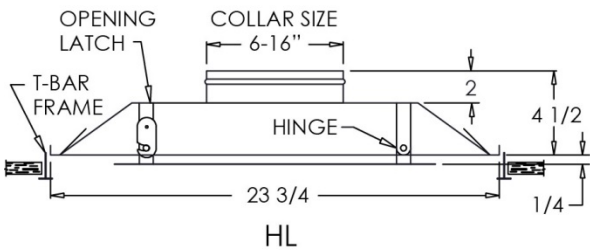
Architectural T-Bar Plaque Diffuser



Model: HL
Description: Architectural High Volume T-Bar Plaque Diffuser

Standard Features:

- Single plaque T-Bar diffuser
- Designed for high volume air delivery
- Delivers supply air in a 360° air pattern
- Hinged and removable core for easy duct access
- 2" ADC compliant round collar with bead for ease of installation
- Collar sizes available in 6" -10", 12", 14", and 16"
- Rust resistant pre-coat with durable powder finish
- Soft White



Options:

- Adjustable baffle controllers to direct airflow horizontal or vertically (HL-ADJ)
- Fits 1x1 ceiling grids (HL-1x1)
- BD – Field installable Bowtie Damper (available on even sizes 6"-14")
- Square Collar
- TVB – Thermal Vapor Blanket
- NGD – Narrow ceiling grid dimples for 9/16" T-Rails, changes O.D. to 23 29/32"

Finishes:

Standard Colors

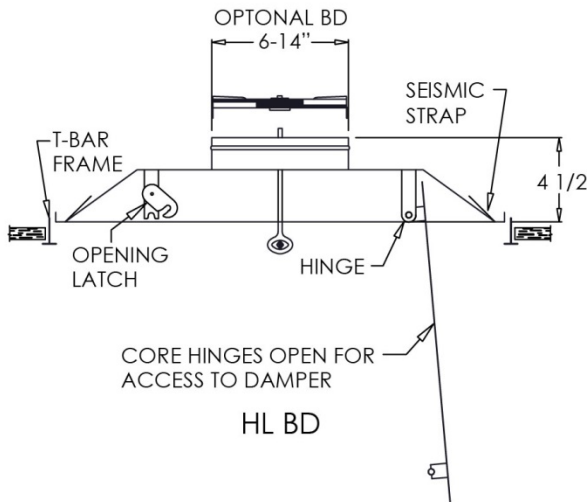
- Soft White

Designer Colors

- Almond
- Black Velvet
- Bronze
- Camaro Silver
- Coffee Tan
- Navajo White
- Vanilla

Other

- Aluminum Paint
- Glossy White



CORE HINGES OPEN FOR ACCESS TO DAMPER

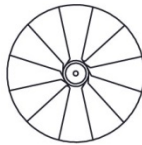
HL BD

BD

Open



Closed



Additional Information:

Project / Location:
Engineer:
Architect:
Contractor:

Submittal Notes