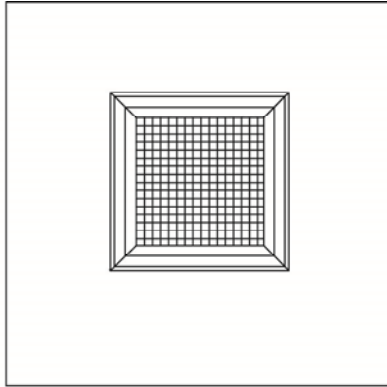




# Commercial Submittal Sheet

700-600 Series

## Aluminum Lattice Return Air Grille in T-Bar Panel



**Model:** 700-600

**Description:** Aluminum Lattice Return Air Grille in T-Bar Panel

**Standard Features:**

- 1/2" x 1/2" x 1/2" aluminum lattice return air grille
- Extruded aluminum frame with signature line marks fixed in a T-Bar panel
- 2" ADC compliant round collar with bead for ease of installation
- Grille available in sizes 6"x6" through 20"x20"
- Rust resistant pre-coat with durable powder finish
- Soft White

**Options:**

- Recessed screwdriver operated Opposed Blade Damper (700-600-0)
- 1/2" x 1/2" x 1" Lattice
- 1" x 1" x 1" Lattice
- Square Collar
- TVB – Thermal Vapor Blanket
- NGD – Narrow ceiling grid dimples for 9/16" T-Rails, changes O.D. to 23 29/32"

**Finishes:**

**Standard Colors**

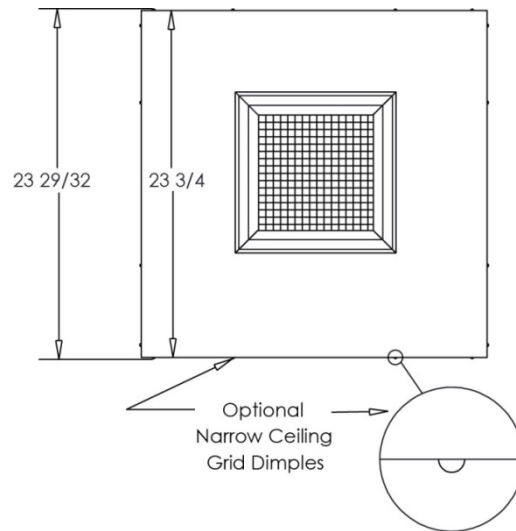
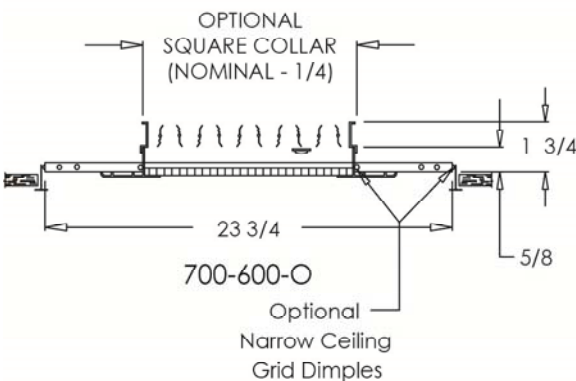
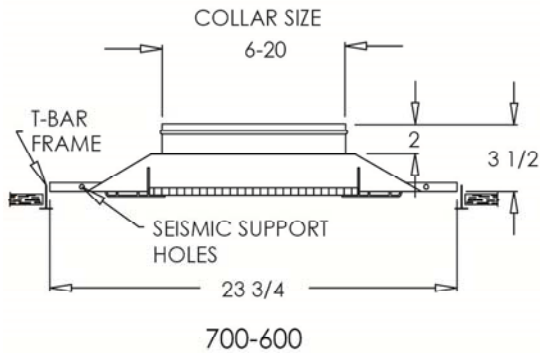
- Soft White

**Designer Colors**

- Almond
- Black Velvet
- Bronze
- Camaro Silver
- Coffee Tan
- Navajo White
- Vanilla

**Other**

- Aluminum Paint
- Glossy White



**Additional Information:**

Project / Location:
Engineer:
Architect:
Contractor:

**Submittal Notes**