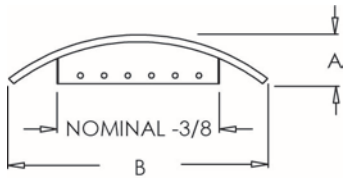
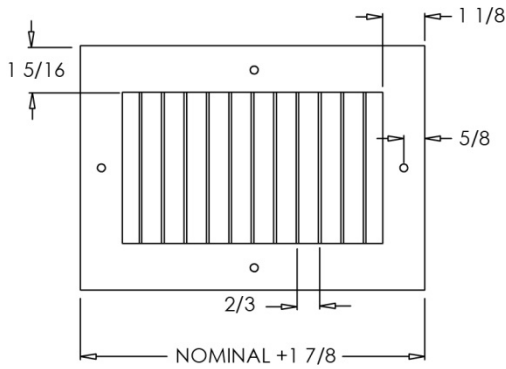
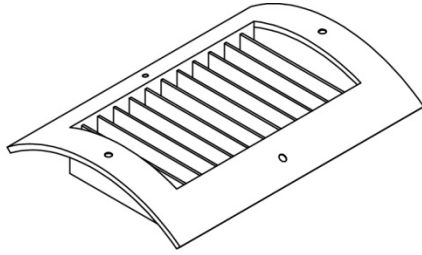




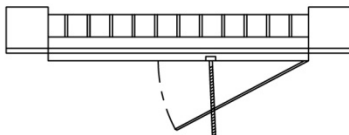
# Commercial Submittal Sheet

## RS52 Series

### Radius Spiral Pipe Grille (Single Deflection)



RS52



RS52-SC

**Model:** RS52

**Description:** Radius Spiral Pipe Grille (Single Deflection)

**Standard Features:**

- Single deflection radius mount spiral pipe grille with adjustable blades
- Blades are parallel to the shortest dimension
- Allows for 2-way airflow
- Nylon bushings on adjustable blades prevent metal on metal rattle
- One piece curved frame with gasket fits flush to spiral pipe
- Product sizes available to fit spiral pipe diameter 8" – 48". Spiral pipe diameter must be 4" larger than height of grille.
- Galvanized Finish

**Options:**

- Perforated face grille (RS-PERF)
- Recessed screwdriver operated Opposed Blade Damper (RS52-0)
- Half-length screwdriver operated Scoop Extractor (RS52-SC)
- Full-length screwdriver operated Scoop Extractor (20" max length scoop) (RS52-FS)

**Finishes:**

**Standard Colors**

- Soft White
- Driftwood Tan

**Designer Colors**

- Almond
- Black Velvet
- Bronze
- Camaro Silver
- Coffee Tan
- Navajo White
- Vanilla

**Other**

- Aluminum Paint
- Glossy White

**RS52 Series Size Chart**

• 8 x 4	• 12 x 6	• 16 x 6	• 20 x 8
• 8 x 6	• 12 x 8	• 16 x 8	• 22 x 6
• 10 x 4	• 14 x 4	• 18 x 6	• 22 x 8
• 10 x 6	• 14 x 6	• 18 x 8	• 24 x 6
• 12 x 4	• 14 x 8	• 20 x 6	• 24 x 8

**RS52 Series Dimension Chart**

Product Height	Pipe Diameter	8" dia.	10" dia.	12" dia.	14" dia.	16" dia.	18" dia.	20" dia.	22" dia.	24" dia.	26" dia.	28" dia.	30" dia.	32" dia.	34" dia.	36" dia.	38" dia.	40" dia.	42" dia.	44" dia.	46" dia.	48" dia.
4	A	1 1/4	1 1/8	1 1/8	1 1/8	1	1	1	1	1	1	1	1	1	1	1	1	1	1	1	7/8	7/8
	B	5 3/8	5 1/2	5 5/8	5 3/4	5 3/4	5 3/4	5 3/4	5 3/4	5 7/8	5 7/8	5 7/8	5 7/8	5 7/8	5 7/8	5 7/8	5 7/8	5 7/8	5 7/8	5 7/8	5 7/8	5 7/8
6	A	n/a	1 5/8	1 1/2	1 3/8	1 3/8	1 1/4	1 1/4	1 1/4	1 1/8	1 1/8	1 1/8	1 1/8	1 1/8	1 1/8	1 1/8	1 1/8	1	1	1	1	1
	B	n/a	7 1/8	7 3/8	7 1/2	7 1/2	7 5/8	7 5/8	7 3/4	7 3/4	7 3/4	7 3/4	7 3/4	7 3/4	7 3/4	7 3/4	7 3/4	7 3/4	7 3/4	7 3/4	7 3/4	7 3/4
8	A	n/a	n/a	2 1/8	1 7/8	1 6/8	1 5/8	1 5/8	1 1/2	1 1/2	1 3/8	1 3/8	1 3/8	1 2/8	1 2/8	1 1/4	1 1/4	1 2/9	1 2/8	1 1/8	1 1/8	1 1/8
	B	n/a	n/a	8 3/4	9 1/8	9 1/4	9 3/8	9 1/2	9 1/2	9 5/8	9 5/8	9 5/8	9 3/4	9 3/4	9 3/4	9 3/4	9 3/4	9 3/4	9 3/4	9 3/4	9 3/4	9 3/4

**Note\*** A/B dimensions defined in product drawings are dependent on size of spiral pipe for which product is designed for.

**Additional Information:**

Project / Location:	<b>Submittal Notes</b>
Engineer:	
Architect:	
Contractor:	