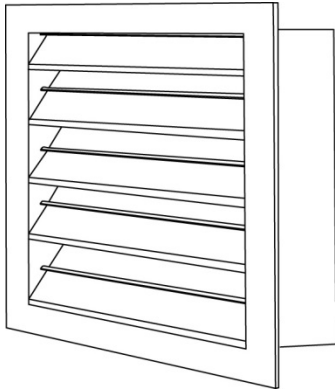




Damper Louver Submittal Sheet

4500 Series

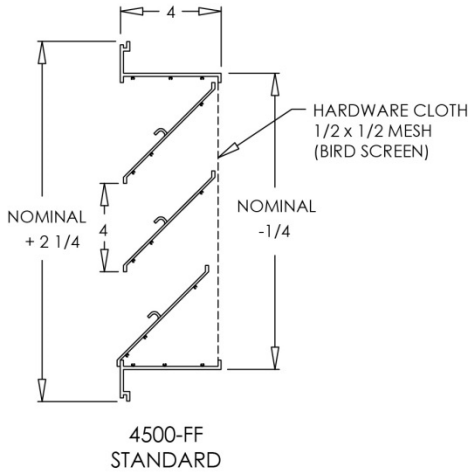
Stationary 4" Outside Air Louver



Model: 4500
Description: Stationary 4" Outside Air Louver

Standard Features:

- Extruded aluminum construction
- Standard flange frame
- 4" depth
- Louvers set at 45° on 4" centers
- Storm bend on louvers to minimize water from entering behind louver
- Bird screen (1/2" x 1/2")
- Blades run parallel to first dimension given
- Minimum size 6"x6"
- Maximum one piece size 96"x60"
- Driftwood Tan



Options:

- 6" depth flange frame (4500-6)
- Flush mount channel frame (4500-CF)
- Offset flange frame, must specify flange placement (4500-OF)
- Insect Screen (1/16" x 1/16") (4500-IS)
- Removable bird screen (4500-RS)
- Galvanneal steel construction
- Marine 12 gauge galvanneal construction with fully welded steel frame and louvers
- Fractional, exact I.D. and O.D. dimensions

Finishes:

Standard Colors

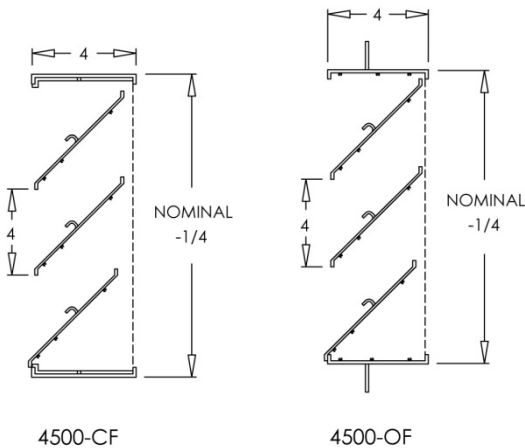
- Soft White
- Driftwood Tan

Designer Colors

- Almond
- Black Velvet
- Bronze
- Camaro Silver
- Coffee Tan
- Navajo White
- Vanilla

Other

- Aluminum Paint
- Glossy White
- Mill Finish



Additional Information:

Project / Location:	Submittal Notes
Engineer:	
Architect:	
Contractor:	