

**Standard Features:**

- Adjustable round 3 cone ceiling diffuser
- Air pattern adjusts from horizontal to vertical by rotating core
- Thread adjustment design offers multiple throw configurations
- Spring latch removable core allows for easy installation
- First to market with 2" round collar with mounting holes for ease of installation
- Rust resistant durable powder finish
- Soft White

**Options:**

Opposed Blade Radial Damper, available on 6" through 24" (RDA-OBR)

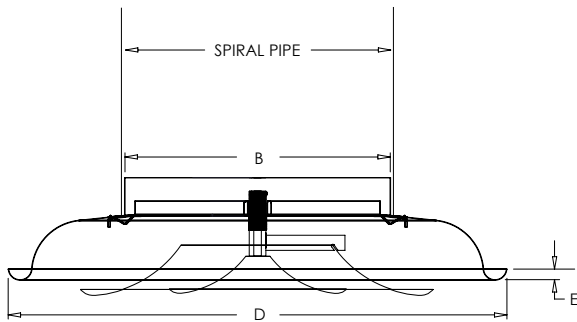
**Finishes:**

STANDARD COLORS

- Soft White
- Driftwood Tan

DESIGNER COLORS

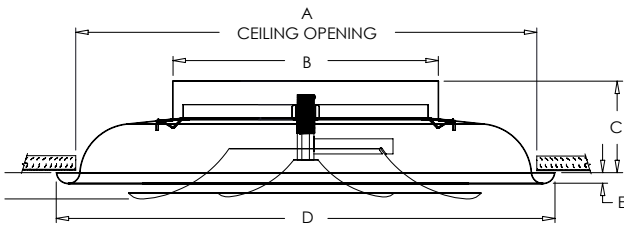
- Black
- Bronze
- Storm Gray
- Cement Gray
- Aluminum Paint
- Coffee Tan
- Warm White
- Glossy White



RDA Duct Mount

**RDA Dimensions Listed in Inches**

SIZE	A	B	C	D	E
6"	12"	5 7/8"	3 3/4"	12 3/4"	1/2"
8"	12"	7 7/8"	3 3/4"	12 3/4"	1/2"
10"	17 3/4"	9 7/8"	4 3/8"	19 1/4"	3/4"
12"	17 3/4"	11 7/8"	4 3/8"	19 1/4"	3/4"
14"	24 1/4"	13 7/8"	4 3/4"	25 7/8"	3/4"
16"	24 1/4"	15 7/8"	4 3/4"	25 7/8"	3/4"
18"	29 1/8"	17 7/8"	5 3/8"	30 3/4"	3/4"
20"	29 1/8"	19 7/8"	5 3/8"	30 3/4"	3/4"
22"	35 1/2"	21 7/8"	6 1/8"	37"	3/4"
24"	35 1/2"	23 7/8"	6 1/8"	37"	3/4"



RDA Ceiling Mount

**Additional Information:**

**Submittal Notes**

Project / Location:	
Engineer:	
Architect:	
Contractor:	