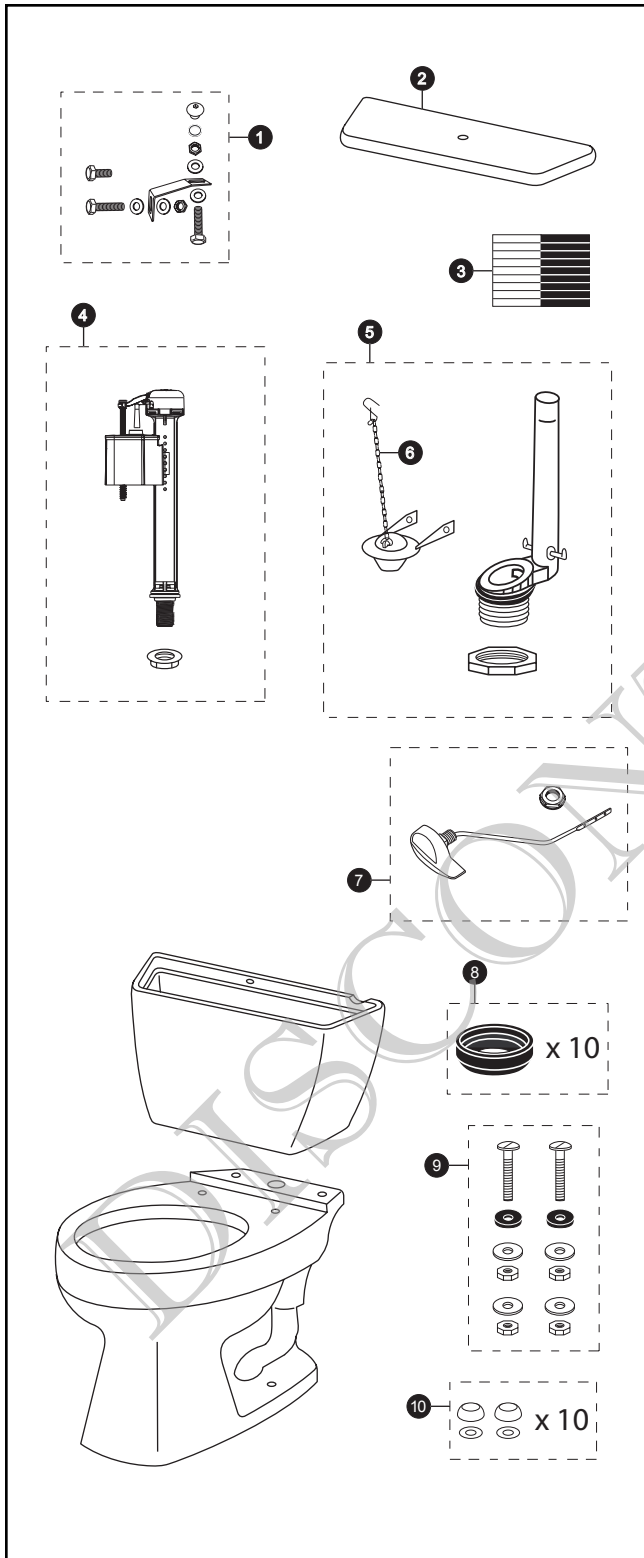


CST713DB

CST713DB
ST706DB
C713

Carusoe™ 1.6 Gpf Toilet, Round, Gravity, 12" Rough-In, Insulated Tank, Bolt Down Tank Lid



Item	Part	Description
1	THU089	Bolt Down Set
2	TCU706BCR#01 TCU706BCR#03 TCU706BCR#04 TCU706BCR#11 TCU706BCR#12 TCU706BCR#51	Bolt Down Tank Lid w/ Velcro Tape Bolt Down Tank Lid w/ Velcro Tape Bolt Down Tank Lid w/ Velcro Tape Bolt Down Tank Lid w/ Velcro Tape Bolt Down Tank Lid w/ Velcro Tape Bolt Down Tank Lid w/ Velcro Tape
3	THU107	Velcro Tape
4	TSU30A	Fill Valve
5	THU258-A	Flush Valve
6	THU260	Flapper w/ Chain - Insulated Tank
7	THU061#01 THU061#03 THU061#04 THU061#11 THU061#12 THU061#51 THU061#CP THU061#PB	Trip Lever Trip Lever Trip Lever Trip Lever Trip Lever Trip Lever Trip Lever Trip Lever
8	THU102	Tank to Bowl Gaskets (for 10 toilets)
9	TSU01D	Tank Mounting Kit
10	THU098#01 THU098#03 THU098#04 THU098#51	Bolt Cap Sets (for 10 toilets) for #01 & #11 Bolt Cap Sets (for 10 toilets) for #03 & #12 Bolt Cap Sets (for 10 toilets) Bolt Cap Sets (for 10 toilets)

Note:

Product Number Explanations

<p>Two-Piece Toilet (CST) Gravity Type Toilet (713) Model (D) Insulated Tank (B) Bolt Down Tank Lid</p>	<p>Tank (ST) Tank (706) Model (D) Insulated Tank (B) Bolt Down Tank Lid</p>	<p>Bowl (C) Bowl (713) Model</p>
<p>Colors (#01) Cotton (#03) Bone (#04) Gray (#11) Colonial White (#12) Sedona Beige (#51) Ebony</p>	<p>Finishes (#CP) Chrome Plated (#PB) Polished Brass</p>	