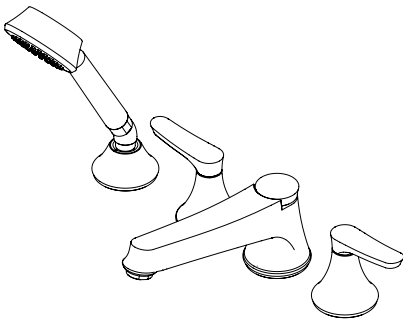
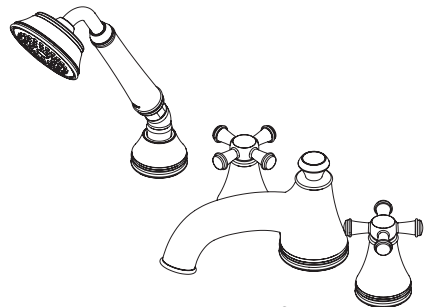


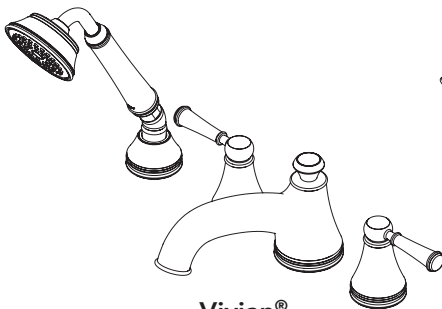
Four-Hole Roman Tub Filler Trim
Grifo de Bañera de Romano con Cuatro Agujeros
Garniture de Robinet de Baignoire Romaine pour Quatre Trous



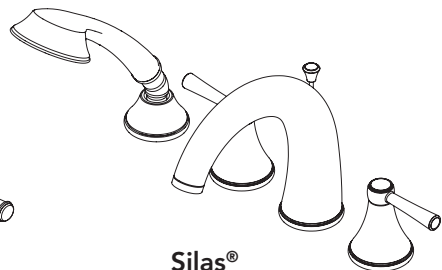
Wyeth™
TB230S



Vivian®
TB220S



Vivian®
TB220S1



Silas®
TB210S

Warranty Registration and Inquiry

For product warranty registration, TOTO U.S.A. Inc. recommends online warranty registration. Please visit our web site <http://www.totousa.com>. If you have questions regarding warranty policy or coverage, please contact TOTO U.S.A. Inc., Customer Service Department, 1155 Southern Road, Morrow, GA 30260 (888) 295-8134 or (678) 466-1300 when calling from outside of U.S.A.

TABLE OF CONTENTS

Thank You for Choosing TOTO!	2
Care And Cleaning	2
Warnings.....	2
Before Installation.....	2
Included Parts	3
Installation Procedure.....	3-5
Warranty.....	6
Rough-In Dimensions	17-20

THANK YOU FOR CHOOSING TOTO!

The mission of TOTO is to provide the world with healthy, hygienic and more comfortable lifestyles. We design every product with the balance of form and function as a guiding principle. Congratulations on your choice.

CARE & CLEANING

Your new tub filler is designed for years of trouble-free performance. Keep it looking new by cleaning it periodically with mild soap, rinsing thoroughly with warm water and drying with a clean, soft cloth. Do not use abrasive cleaners, steel wool or harsh chemicals, as these will dull the finish. Failure to follow these instructions may void your warranty. If any nozzles become clogged with mineral build up, rub gently with finger tips to clean.

WARNINGS

For safe operation, please observe the following:

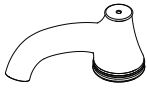
- ④ Operating Pressure:
 - ③ Minimum Pressure20 psi (0.14 MPa), dynamic
 - ③ Maximum Pressure80 psi (0.55 MPa), static
- ④ Do not use the product at an ambient temperature below 32 °F (0 °C).

BEFORE INSTALLATION

- ④ Observe all local plumbing codes.
- ④ Make sure the water supply is shut off.
- ④ Read these instructions carefully to ensure proper installation.
- ④ TOTO reserves the right to update product design without notice.
- ④ Check to make sure you have the parts indicated on the following page.

INCLUDED PARTS

Spout Assembly*



Handle Assembly* (2X)



Handshower Mount*



Set Screw and Hex Key



Handshower*



Pop Up Rod*



Elbow



Handshower Hose

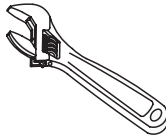


Tube for Pop Up Rod



* Actual product may vary in appearance depending on model. TB220S model shown.

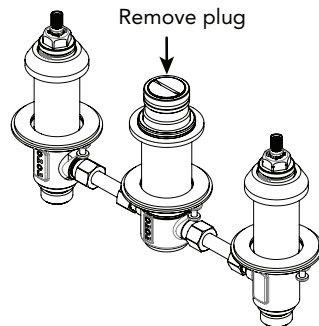
COMMON TOOLS NEEDED



(2X) Adjustable Wrench

INSTALLATION PROCEDURE - Spout

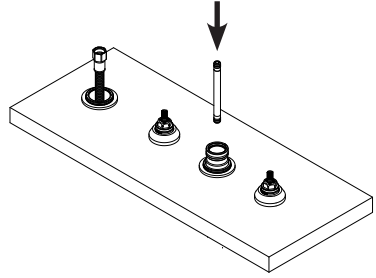
1. Confirm that the valves have been installed properly. See the TBMV installation manual for further information.
2. Remove plug from outlet.



INSTALLATION PROCEDURE - Spout

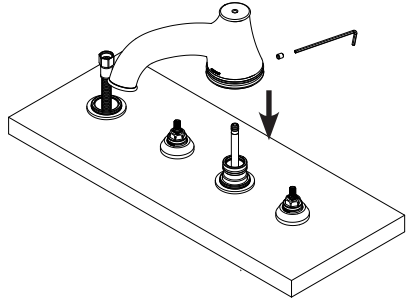
3. Insert the tube for pop up rod inside the pre-installed diverter valve.

Push firmly until fully seated. Take care not to damage the o-rings.

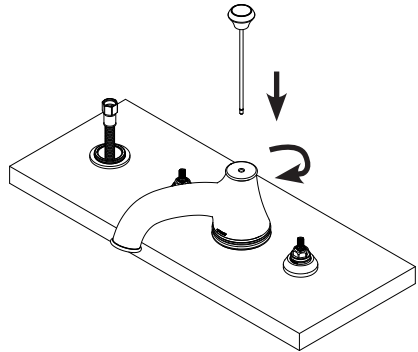


4. Orient spout assembly as shown and lower onto exposed portion of diverter valve.

Use hex key to fasten spout to valve with provided set screw. Tighten as needed.



5. Pass the pop up rod through the opening in the spout and thread it into diverter valve to secure.



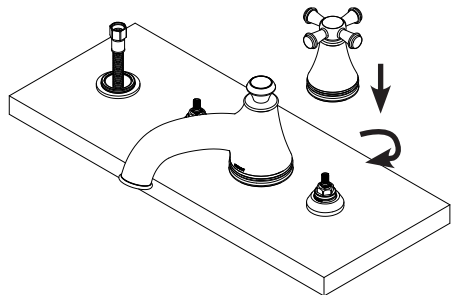
INSTALLATION PROCEDURE - Handles

*Actual product may vary in appearance depending on model.

1. Orient handle assembly and lower onto the exposed portion of valve until engaged. Rotate the base (dome) of the handle assembly to fasten it to the valve.

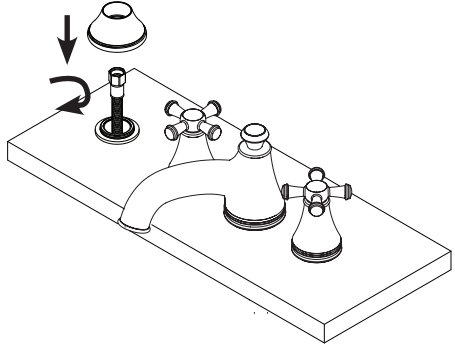
Repeat for other handle assembly.

NOTE: If handles do not line up exactly as desired, remove handle from valve and reinstall one (1) notch over (on valve).



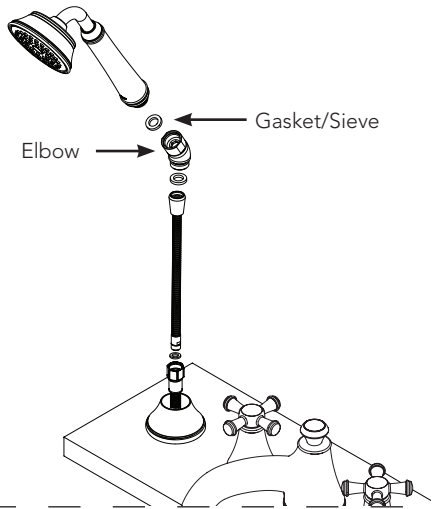
INSTALLATION PROCEDURE - Handshower

1. Fasten the handshower mount to the pre-installed rough collar.

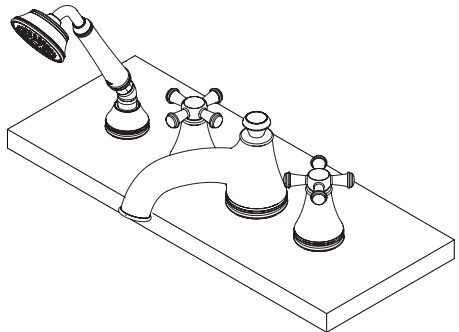


2. Place gasket in elbow nut and fasten handshower until completely sealed.

NOTE: Only one (1) gasket per location shown, do not add if gasket already present.



3. Retract handshower hose to seat elbow in the handshower mount.



WARRANTY

1. TOTO® warrants its residential faucets and bathroom accessories ("Product") to be free from defects in materials and workmanship during normal use when properly installed and serviced, for the lifetime of the Product from date of purchase. This limited warranty is extended only to the ORIGINAL PURCHASER of the Product and is not transferable to any third party, including but not limited to any subsequent purchaser or owner of the Product. This warranty applies only to TOTO Product purchased and installed in North, Central and South America.
2. TOTO's obligations under this warranty are limited to repair, replacement or other appropriate adjustment, at TOTO's option, of the Product or parts found to be defective in normal use, provided that such Product was properly installed, used and serviced in accordance with instructions. TOTO reserves the right to make such inspections as may be necessary in order to determine the cause of the defect. TOTO will not charge for labor or parts in connection with warranty repairs or replacements. TOTO is not responsible for the cost of removal, return and/or reinstallation of the Product.
3. This warranty does not apply to the following items:
 - a. Damage or loss sustained in a natural calamity such as fire, earthquake, flood, thunder, electrical storm, etc.
 - b. Damage or loss resulting from any accident, unreasonable use, misuse, abuse, negligence, or improper care, cleaning, or maintenance of the Product.
 - c. Damage or loss resulting from sediments or foreign matter contained in a water system.
 - d. Damage or loss resulting from improper installation or from installation of the Product in a harsh and/or hazardous environment, or improper removal, repair or modification of the Product.
 - e. Damage or loss resulting from electrical surges or lightning strikes or other acts which are not the fault of TOTO or which the Product is not specified to tolerate.
 - f. Damage or loss resulting from normal and customary wear and tear, such as gloss reduction, scratching or fading over time due to use, cleaning practices or water or atmospheric conditions, including but not limited to, the use of bleach, alkali, acid cleaners, dry (powder) cleaners or any other abrasive cleaners or the use of metal or nylon scrubbers.
4. In order for this limited warranty to be valid, proof of purchase is required. TOTO encourages warranty registration upon purchase to create a record of Product ownership at <http://www.totousa.com>. Product registration is completely voluntary and failure to register will not diminish your limited warranty rights.
5. If the Product is used commercially or is installed outside of North, Central or South America, TOTO warrants the Product to be free from defects in materials and workmanship during normal use for one (1) year from the date of installation of the Product, and all other terms of this warranty shall be applicable except the duration of the warranty.
6. THIS WARRANTY GIVES YOU SPECIFIC LEGAL RIGHTS. YOU MAY HAVE OTHER RIGHTS WHICH VARY FROM STATE TO STATE, PROVINCE TO PROVINCE OR COUNTRY TO COUNTRY.
7. To obtain warranty repair service under this warranty, you must take the Product or deliver it prepaid to a TOTO service facility together with proof of purchase (original sales receipt) and a letter stating the problem, or contact a TOTO distributor or products service contractor, or write directly to TOTO U.S.A., INC., 1155 Southern Road, Morrow, GA 30260 (888) 295 8134 or (678) 466-1300, if outside the U.S.A. If, because of the size of the Product or nature of the defect, the Product cannot be returned to TOTO, receipt by TOTO of written notice of the defect together with proof of purchase (original sales receipt) shall constitute delivery. In such case, TOTO may choose to repair the Product at the purchaser's location or pay to transport the Product to a service facility.

THIS WRITTEN WARRANTY IS THE ONLY WARRANTY MADE BY TOTO. REPAIR, REPLACEMENT OR OTHER APPROPRIATE ADJUSTMENT AS PROVIDED UNDER THIS WARRANTY SHALL BE THE EXCLUSIVE REMEDY AVAILABLE TO THE ORIGINAL PURCHASER. TOTO SHALL NOT BE RESPONSIBLE FOR LOSS OF THE PRODUCT OR FOR OTHER INCIDENTAL, SPECIAL OR CONSEQUENTIAL DAMAGES OR EXPENSES INCURRED BY THE ORIGINAL PURCHASER, OR FOR LABOR OR OTHER COSTS DUE TO INSTALLATION OR REMOVAL, OR COSTS OF REPAIRS BY OTHERS, OR FOR ANY OTHER EXPENSE NOT SPECIFICALLY STATED ABOVE. IN NO EVENT WILL TOTO'S RESPONSIBILITY EXCEED THE PURCHASE PRICE OF THE PRODUCT. EXCEPT TO THE EXTENT PROHIBITED BY APPLICABLE LAW, ANY IMPLIED WARRANTIES, INCLUDING THAT OF MERCHANTABILITY OR FITNESS FOR USE OR FOR A PARTICULAR PURPOSE, ARE EXPRESSLY DISCLAIMED. SOME STATES DO NOT ALLOW LIMITATIONS ON HOW LONG AN IMPLIED WARRANTY LASTS, OR THE EXCLUSION OR LIMITATION OF INCIDENTAL OR CONSEQUENTIAL DAMAGES, SO THE ABOVE LIMITATION AND EXCLUSION MAY NOT APPLY TO YOU.