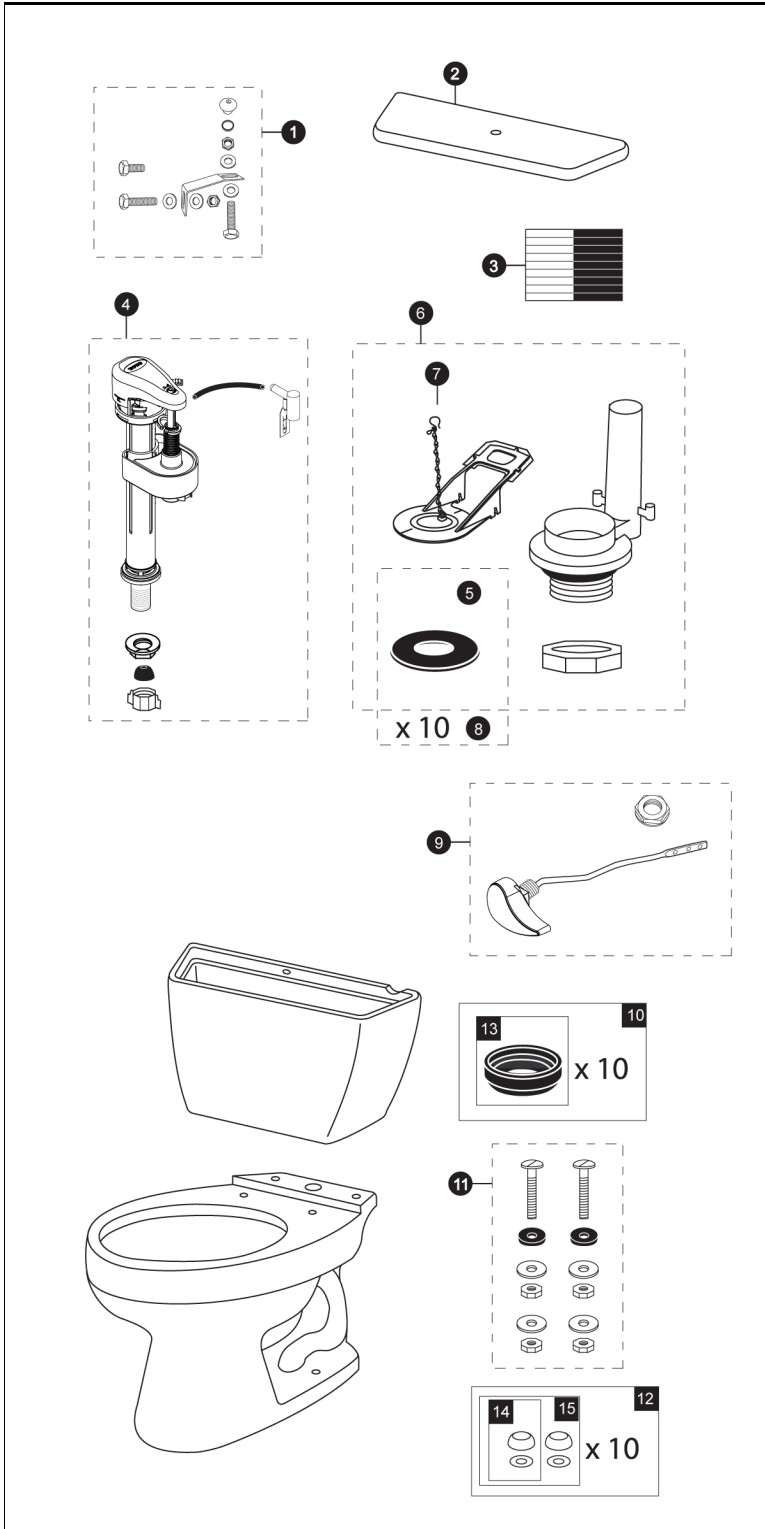


CST744SDB
ST743SDB
C744S

Drake®

**1.6 Gpf Toilet, Elongated,
G-Max®, 12" Rough-In,
Insulated Tank, Bolt Down Tank Lid**



Items	Parts	Description
1	THU089	Bolt Down Set
2	TCU743BCR#01	Bolt Down Tank Lid w/ Velcro - Cotton
	TCU743BCR#03	Bolt Down Tank Lid w/ Velcro - Bone
	TCU743BCR#11	Bolt Down Tank Lid w/ Velcro - Colonial White
	TCU743BCR#12	Bolt Down Tank Lid w/ Velcro - Sedona Beige
	TCU743BCR#51	Bolt Down Tank Lid w/ Velcro - Ebony
3	THU107	Velcro Tape
4	TSU53A	Fill Valve
5	9BU001ER	Flapper Gasket
6	THU130	Flush Valve
7	THU092-7	Flapper w/ Chain - Insulated Tank
8	THU096	Flapper Gaskets (10 pieces)
9	THU068#01	Trip Lever - Cotton
	THU068#03	Trip Lever - Bone
	THU068#11	Trip Lever - Colonial White
	THU068#12	Trip Lever - Sedona Beige
	THU068#51	Trip Lever - Ebony
	THU068#CP	Trip Lever - Chrome Plated
	THU068#BN	Trip Lever - Brushed Nickel
	THU068#PN	Trip Lever - Polished Nickel
10	THU131	Tank to Bowl Gaskets (10 toilets)
11	TSU01D	Tank Mounting Kit
12	THU098#01	Bolt Cap Sets - Cotton (20 pieces)
	THU098#03	Bolt Cap Sets - Bone (20 pieces)
	THU098#11	Bolt Cap Sets - Colonial White (20 pieces)
	THU098#12	Bolt Cap Sets - Sedona Beige (20 pieces)
	THU098#51	Bolt Cap Sets - Ebony (20 pieces)
13	9BU024E	3" Tank to Bowl Gasket
14	THU044#01	Bolt Cap Set - Cotton
	THU044#03	Bolt Cap Set - Bone
	THU044#11	Bolt Cap Set - Colonial White
	THU044#12	Bolt Cap Set - Sedona Beige
	THU044#51	Bolt Cap Set - Ebony
15	THU044S#01	Bolt Cap Set - Cotton (2 pieces)
	THU044S#03	Bolt Cap Set - Bone (2 pieces)
	THU044S#11	Bolt Cap Set - Colonial White (2 pieces)
	THU044S#12	Bolt Cap Set - Sedona Beige (2 pieces)
	THU044S#51	Bolt Cap Set - Ebony (2 pieces)

Note:

Product Number Explanations

Two-Piece Toilet

(CST) Gravity Type Toilet
(744) Model
(S) G-Max®
(D) Insulated Tank
(B) Bolt Down Tank Lid

Tank

(ST) Tank
(743) Model
(S) G-Max®
(D) Insulated Tank
(B) Bolt Down Tank Lid

Bowl

(C) Bowl
(744) Model
(S) G-Max®

Actual Product may vary slightly from illustration.