

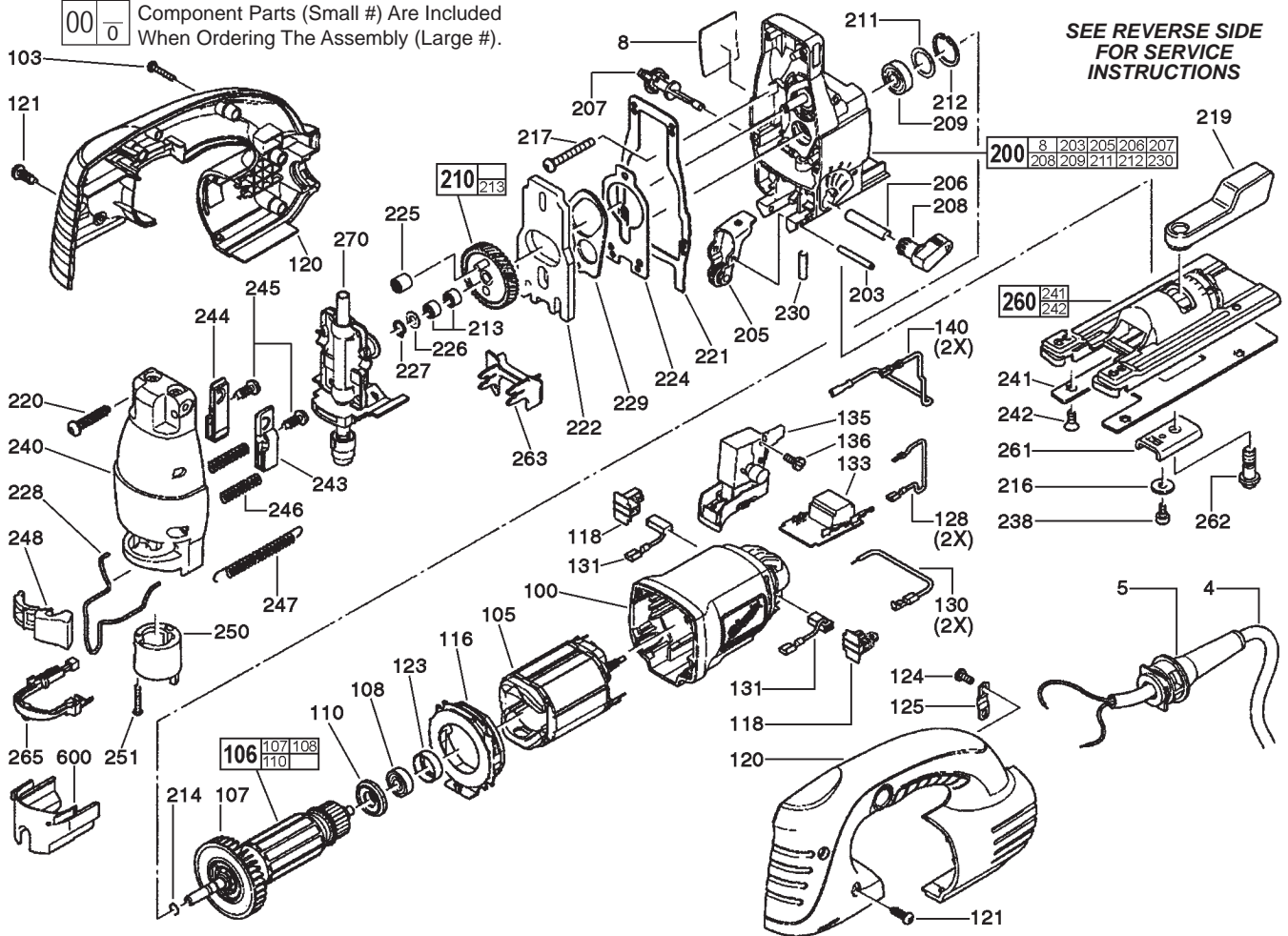


SERVICE PARTS LIST

BULLETIN NO.
54-40-6260

SPECIFY CATALOG NO. AND SERIAL NO. WHEN ORDERING PARTS			REVISED BULLETIN	DATE
ORBITAL JIG SAW				Oct. 2008
CATALOG NO.	6268-21	SERIAL NUMBER	WIRING INSTRUCTION	
		A64A	58-01-1950	

EXAMPLE:
Component Parts (Small #) Are Included
When Ordering The Assembly (Large #).



**SEE REVERSE SIDE
FOR SERVICE
INSTRUCTIONS**

FIG.	PART NO.	DESCRIPTION OF PART	NO. REQ.
4	22-64-0896	CORD SET	1
5	44-76-0270	CORD PROTECTOR	1
8	10-15-2200	INSTRUCTION LABEL	1
100	31-50-2300	MOTOR HOUSING	1
103	05-88-9601	SCREW	4
105	18-07-0140	SERVICE FIELD	1
106	16-07-0140	SERVICE ARMATURE	1
107	22-84-0935	FAN	1
108	02-04-1801	BALL BEARING	1
110	45-88-9000	INSULATING DISC	1
116	31-05-0725	AIR DEFLECTOR RING	1
118	22-20-1100	BRUSH HOLDER	2
120	31-44-2300	HANDLE HALF SET	1
121	05-88-9753	SCREW	4
123	45-22-0535	RUBBER SLEEVE	1
124	05-81-0930	SCREW	2
125	31-17-0240	CORD CLAMP	1
128	23-94-1155	WIRE	2
130	23-94-6640	WIRE	2
131	22-18-1500	CARBON BRUSH SET (INCLUDES 2)	1
133	22-09-0500	CIRCUIT BOARD	1
135	23-66-2500	SWITCH	1
136	05-81-0932	TERMINAL SCREW	2
140	23-94-1045	WIRE	2
200	28-14-3000	GEARCASE ASSEMBLY	1
203	06-65-0565	PIN	1
205	42-36-1790	SUPPORT BRACKET COMPLETE	1
206	36-10-0825	CAM SHAFT	1
207	30-58-0045	VACUUM CONTROL KNOB	1
208	30-58-0055	ORBIT LEVER	1
209	02-04-1820	BALL BEARING	1
210	32-30-0132	GEAR ASSEMBLY	1
211	44-86-0215	WAVE WASHER	1
212	44-90-4425	RETAINING RING	1
213	02-50-9005	NEEDLE BEARING	2
214	44-90-4420	RETAINING RING	1
216	45-88-8615	WASHER	1
217	05-88-9904	SCREW	4
219	30-58-0075	TENSION LEVER	1

FIG.	PART NO.	DESCRIPTION OF PART	NO. REQ.
220	05-88-9750	SCREW	4
221	43-44-1200	GASKET	1
222	42-87-0155	COUNTER BALANCE	1
224	44-66-6166	SPACER PLATE	1
225	02-50-9996	NEEDLE BEARING	1
226	45-88-8600	WASHER	1
227	34-60-3670	SNAP RING	1
228	45-12-0535	WIREFORM SHIELD	1
229	42-09-0155	ROCKER ARM	1
230	44-60-1415	LINKAGE PIN	1
238	05-88-9755	SCREW	1
240	28-20-4000	GEARCASE COVER	1
241	45-16-0636	SLIDE PLATE	1
242	05-88-9756	SCREW	4
243	42-68-1025	CLAMP, LEFT	1
244	42-68-1015	CLAMP, RIGHT	1
245	05-81-0985	SCREW	2
246	40-50-8790	PRESSURE SPRING	2
247	40-50-8800	TENSION SPRING	1
248	44-10-0345	BLADE CLAMP LEVER	1
250	45-22-0531	INDEXING SLEEVE	1
251	05-88-9754	SCREW	1
260	45-16-0635	SHOE ASSEMBLY	1
261	44-86-0581	THRUST PIECE	1
262	05-74-0676	SCREW	1
263	31-15-1100	COVER	1
265	22-80-0100	LED HOLDER	1
270	38-50-6055	SPINDLE ASSEMBLY	1
600	45-12-0525	DUST CAP	1
	12-99-6268	SERVICE NAMEPLATE KIT	1
	48-08-0531	ANTI-SPLINTERING DEVICE (NOT SHOWN)	1
	48-08-0533	PLASTIC SHOE COVER (NOT SHOWN)	1