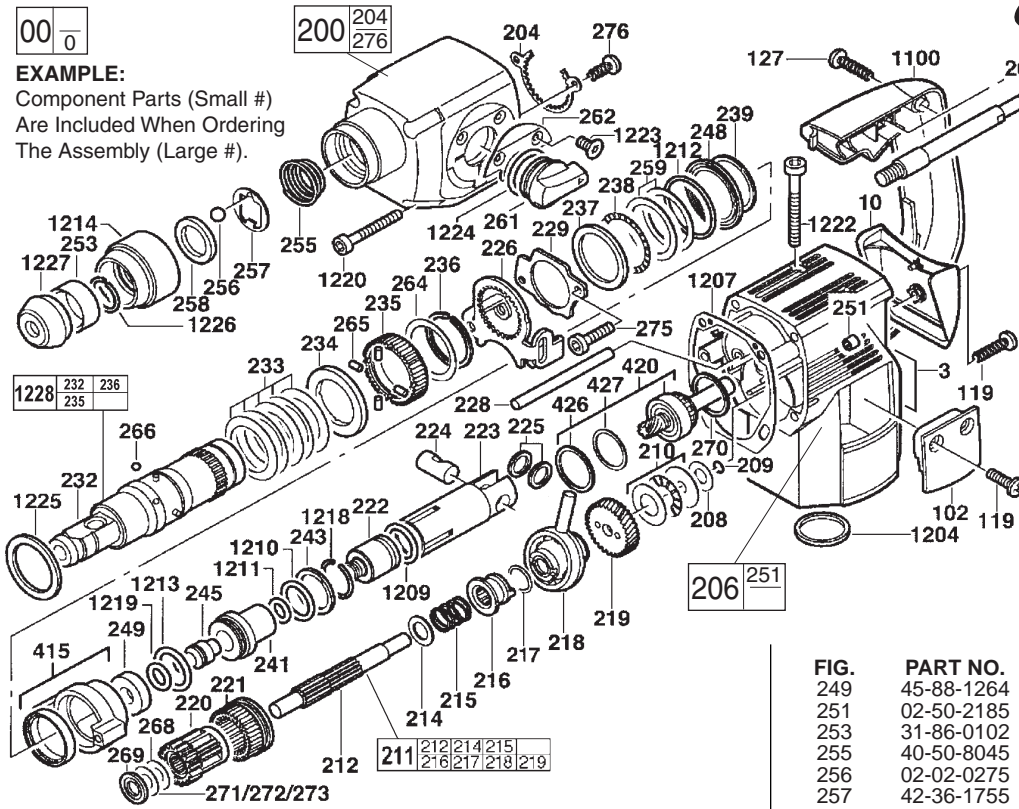




SERVICE PARTS LIST

SPECIFY CATALOG NO. AND SERIAL NO. WHEN ORDERING PARTS		REVISED BULLETIN	DATE
1-1/8" ROTARY HAMMER			Aug. 2007
CATALOG NO. 5359-21	SERIAL NUMBER 409A (See Service Note)	WIRING INSTRUCTION 58-01-1860	

EXAMPLE:
Component Parts (Small #)
Are Included When Ordering
The Assembly (Large #).



SERVICE NOTE: When servicing a 5359-21 Rotary Hammer with a serial number starting with 409A, first identify the series being serviced (Series I or Series II). **Series I** has a small taper on the strain relief. Use this bulletin, 54-24-5000, to order parts and service Series I tools. **Series II** has a large taper on the strain relief. Use bulletin 54-24-5001 (listed under serial number 409B) to order parts and service Series II tools.

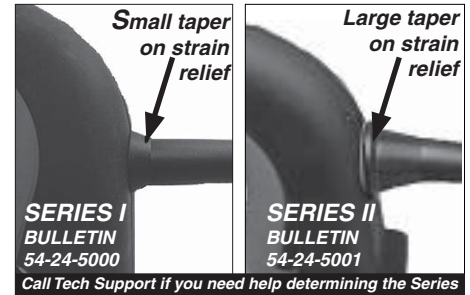
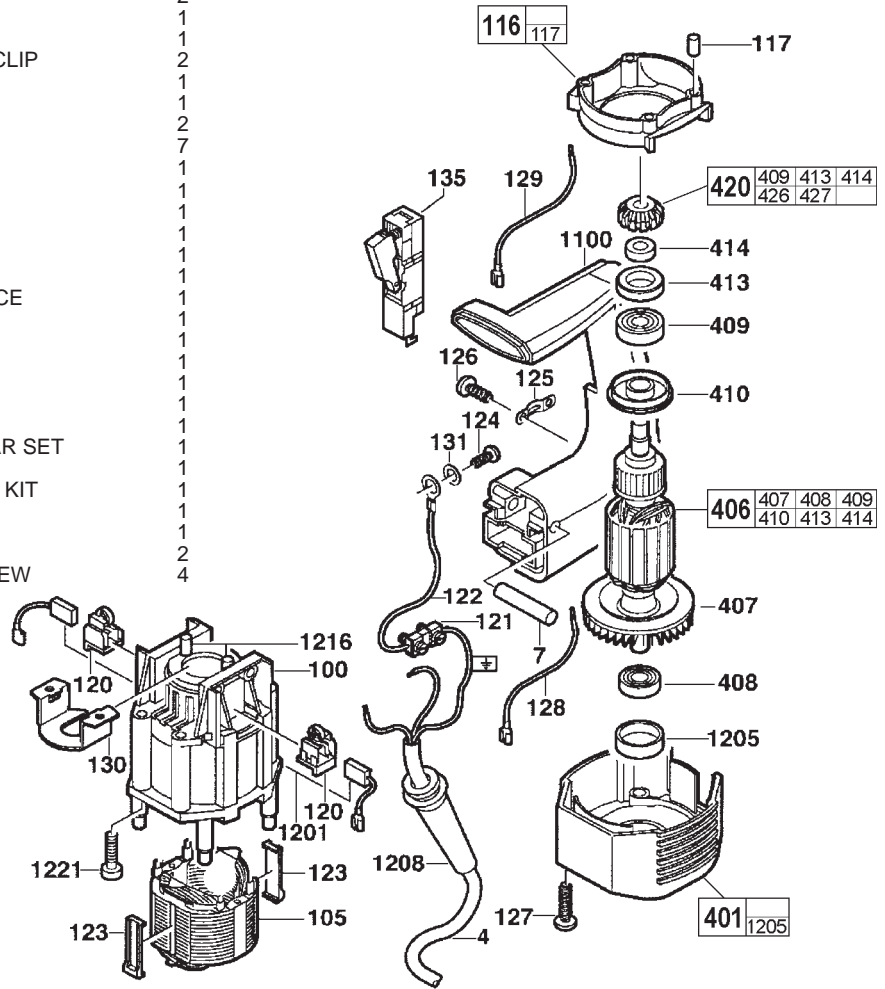


FIG.	PART NO.	DESCRIPTION OF PART	QTY.
3	12-20-5359	SERVICE NAMEPLATE KIT	1
8	45-88-1245	WASHER	1
9	44-90-0340	SNAP RING (EXT.)	1
10	31-15-0257	CRANKCASE COVER	1
102	31-15-0255	BRUSH COVER	2
119	05-78-0745	TAPTITE SCREW	5
127	05-78-0715	SCREW	7
200	31-40-0042	GEARCASE	1
204	44-86-0625	SPLINED RETAINER	1
206	31-15-0307	CRANKCASE	1
208	45-88-8825	WASHER (ADD AS REQUIRED)	1
209	34-40-4440	O-RING	1
210	02-80-6025	THRUST BEARING SET	1
211	14-73-0247	WOBBLE SHAFT ASSEMBLY	1
212	36-66-3162	REDUCTION GEAR SHAFT	1
214	45-88-1250	WASHER	1
215	40-50-8897	SPRING	1
216	45-22-0302	COUPLING SLEEVE	1
★ 217	45-88-8414	WASHER	1
218	36-92-0747	WOBBLE PLATE	1
219	32-60-2622	REDUCTION GEAR	1
220	32-60-2157	OFFSET GEAR	1
221	32-60-2165	INTERNAL GEAR	1
222	44-82-0192	RAM	1
223	44-62-0157	PISTON	1
224	44-60-1405	WRIST PIN	1
225	45-88-1180	WASHER	2
226	44-90-4500	SHIFT RING	1
228	44-60-1485	PIN	1
229	44-66-6055	RETAINING PLATE	1
★ 232	-----	SDS SPINDLE	1
233	40-50-7977	BELLEVILLE SPRING	5
234	45-88-7767	STOP WASHER	1
★ 235	-----	SPINDLE GEAR	1
★ 236	-----	RETAINING RING (EXT.)	1
237	45-88-1255	WASHER	1
238	02-80-0150	THRUST BEARING	1
239	45-88-0775	RETAINING RING	1
241	44-82-0089	RAM CATCHER	1
243	42-76-0727	THRUST COLLAR	1
245	45-56-2537	STRIKER	1
248	45-88-1265	WASHER	1

FIG.	PART NO.	DESCRIPTION OF PART	QTY.
249	45-88-1264	STOP WASHER	1
251	02-50-2185	NEEDLE BEARING	2
253	31-86-0102	SPACER	1
255	40-50-8045	SPRING	1
256	02-02-0275	BALL	1
257	42-36-1755	SUPPORT PLATE	1
258	44-90-4285	HOLDING RING	1
259	45-88-1270	WASHER	2
261	44-10-0077	SHIFT LEVER	1
★ 262	44-66-0101	PLATE	1
264	-----	WASHER	1
265	44-96-0101	ROLLER	4
266	02-02-0110	BALL	4
267	05-77-0030	BOLT	1
268	45-88-1182	WASHER	1
269	45-88-1183	WASHER	1
270	44-90-0115	RING	1
271	45-88-1184	WASHER	1
272	45-88-1185	WASHER	1
273	45-88-1186	WASHER	1
275	05-74-0700	SCREW	2
276	05-74-0717	SCREW	2
415	45-60-0511	BEARING ASSY	1
420	36-66-4267	INTERMEDIATE GEAR SET	1
426	45-88-1170	RETAINING RING	1
427	45-88-1280	WASHER	1
600	43-46-0172	DEPTH GAGE (NOT SHOWN)	1
701	49-15-5300	SIDE HANDLE (NOT SHOWN)	1
1100	31-44-5359	HANDLE SET	1
1204	34-40-4454	O-RING	1
1207	43-44-0375	GASKET	1
1209	34-40-5359	O-RING	1
1210	34-40-4452	O-RING	1
1211	34-40-4451	O-RING	1
1212	34-40-4459	O-RING	1
1213	34-40-4456	O-RING	1
1214	42-76-0275	COLLAR	1
1215	43-87-0080	ISOLATION BLOCK	1
1218	44-90-4415	RETAINING RING	1
1219	34-40-0130	O-RING	1
1220	05-74-0685	SOCKET HEAD SCREW	4
1222	05-74-0695	SOCKET HEAD SCREW	2
1223	05-74-0697	SCREW	2
1224	34-40-0132	O-RING	1
1225	45-06-0215	FELT WASHER	1
1226	44-90-0375	SNAP RING	1
★ 1227	42-52-0065	DUST CAP	1
1228	38-50-0011	SDS SPINDLE KIT	1

FIG.	PART NO.	DESCRIPTION OF PART	QTY.
3	12-20-5359	SERVICE NAMEPLATE KIT	1
4	22-64-0506	CORD SET	1
7	44-60-0015	GROOVED DOWEL PIN	1
100	31-50-0955	MOTOR HOUSING	1
105	18-07-0121	FIELD -SERVICE	1
116	31-05-0220	AIR DEFLECTOR RING	1
117	45-30-0210	SLUG	4
120	22-20-0232	BRUSH HOLDER	2
121	31-17-0184	WIRE CLAMP	1
122	23-94-1034	WIRE	1
123	42-70-1100	FIELD CENTERING CLIP	2
124	05-78-0747	SCREW	1
125	31-17-0240	CORD CLAMP	1
126	05-78-0720	SCREW	2
127	05-78-0715	SCREW	7
★ 128	23-94-1042	WIRE (BLACK)	1
★ 129	23-94-1037	WIRE (YELLOW)	1
130	42-92-0015	BEARING COVER	1
131	45-88-1340	WASHER	1
135	23-66-1687	SWITCH	1
401	31-15-0442	MOTOR COVER	1
406	16-07-0123	ARMATURE - SERVICE	1
407	22-84-0940	FAN	1
408	02-04-1800	BALL BEARING	1
409	02-04-1817	BALL BEARING	1
410	43-06-0135	INSULATING DISC	1
413	45-22-0465	SLEEVE	1
414	45-36-1595	SPACER	1
420	36-66-4267	INTERMEDIATE GEAR SET	1
1100	31-44-5359	HANDLE SET	1
1201	22-18-0942	BRUSH (2) SERVICE KIT	1
1205	42-96-0170	BEARING CUP	1
1208	44-76-0285	STRAIN RELIEF	1
1216	45-30-0220	SLUG	2
1221	05-74-0705	SOCKET HEAD SCREW	4

**SEE BACK PAGE OF THIS BULLETIN
FOR ADDITIONAL LUBRICATION
AND SERVICE NOTES**



Service Kit 14-46-5359 Contains:

Qty.	Cat. No.	Description	Qty.	Cat. No.	Description
4	05-74-0685	Socket Head Screw	1	42-52-0065	Dust Cap
2	05-74-0695	Socket Head Screw	1	42-76-0275	Collar
2	05-74-0697	Screw	2	42-96-0170	Bearing Cup
4	05-74-0705	Socket Head Screw	1	43-44-0375	Gasket
1	22-18-0942	Brush Service Kit (2)	1	43-87-0080	Isolation Block
1	34-40-0130	O-Ring	1	44-76-0285	Strain Relief
1	34-40-0132	O-Ring	1	44-90-0375	Snap Ring
1	34-40-4451	O-Ring	1	44-90-4415	Retaining Ring
1	34-40-4452	O-Ring	1	45-06-0215	Felt Washer
1	34-40-4454	O-Ring	2	45-30-0220	Slug
1	34-40-4456	O-Ring	2	45-88-1180	Washers
1	34-40-4459	O-Ring	1	49-08-4250	Type "P" Grease (1.5 oz.)
			1	49-08-4255	Type "Q" Grease (1.5 oz.)