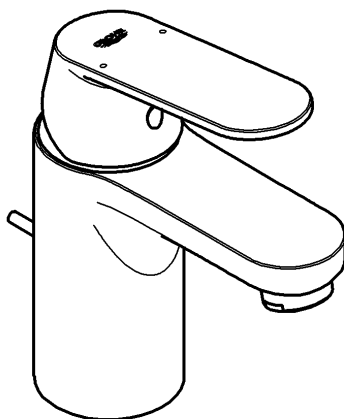
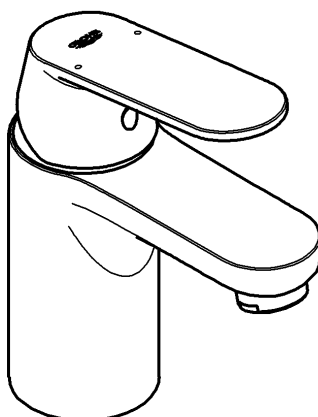


32 875



32 877



Eurosmart Cosmopolitan

English1
Français2
Español3

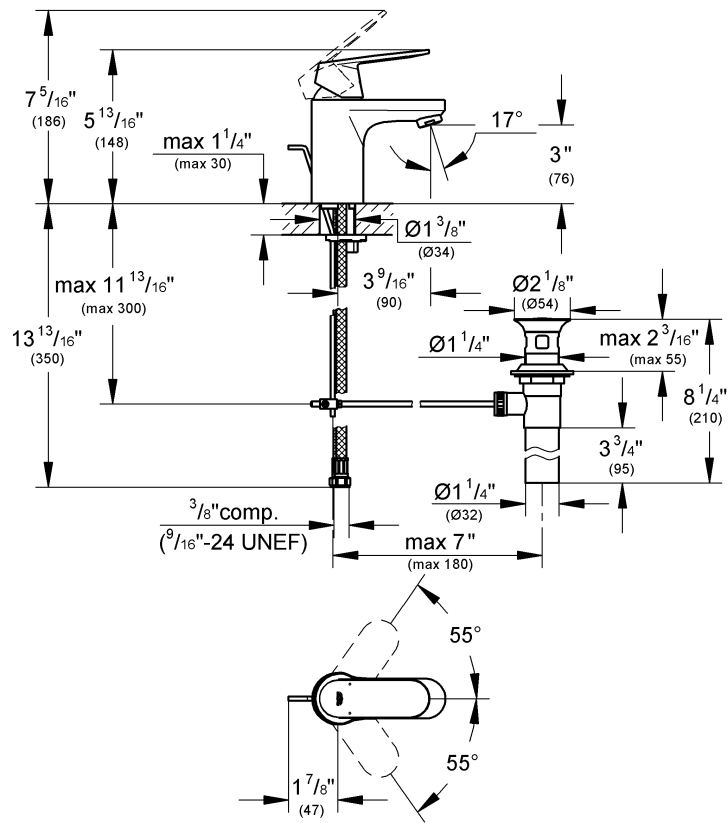
Design & Quality Engineering GROHE Germany

96.987.031/ÄM 216815/12.09

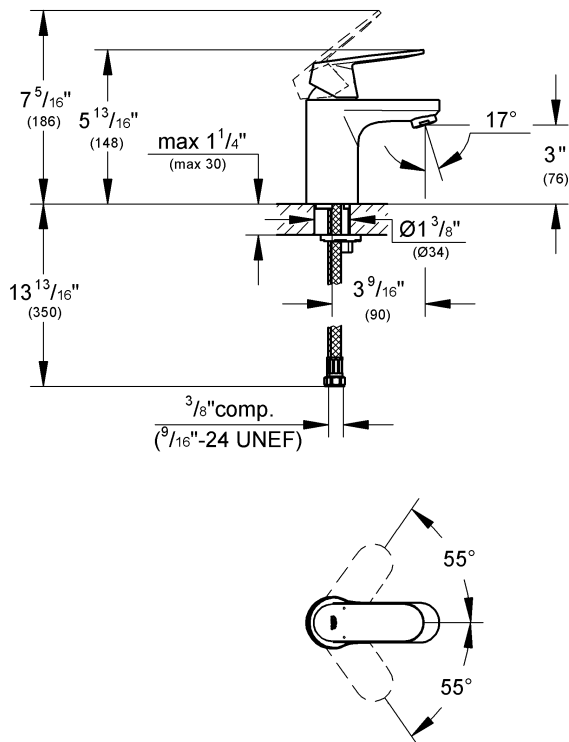
GROHE

ENJOY WATER®

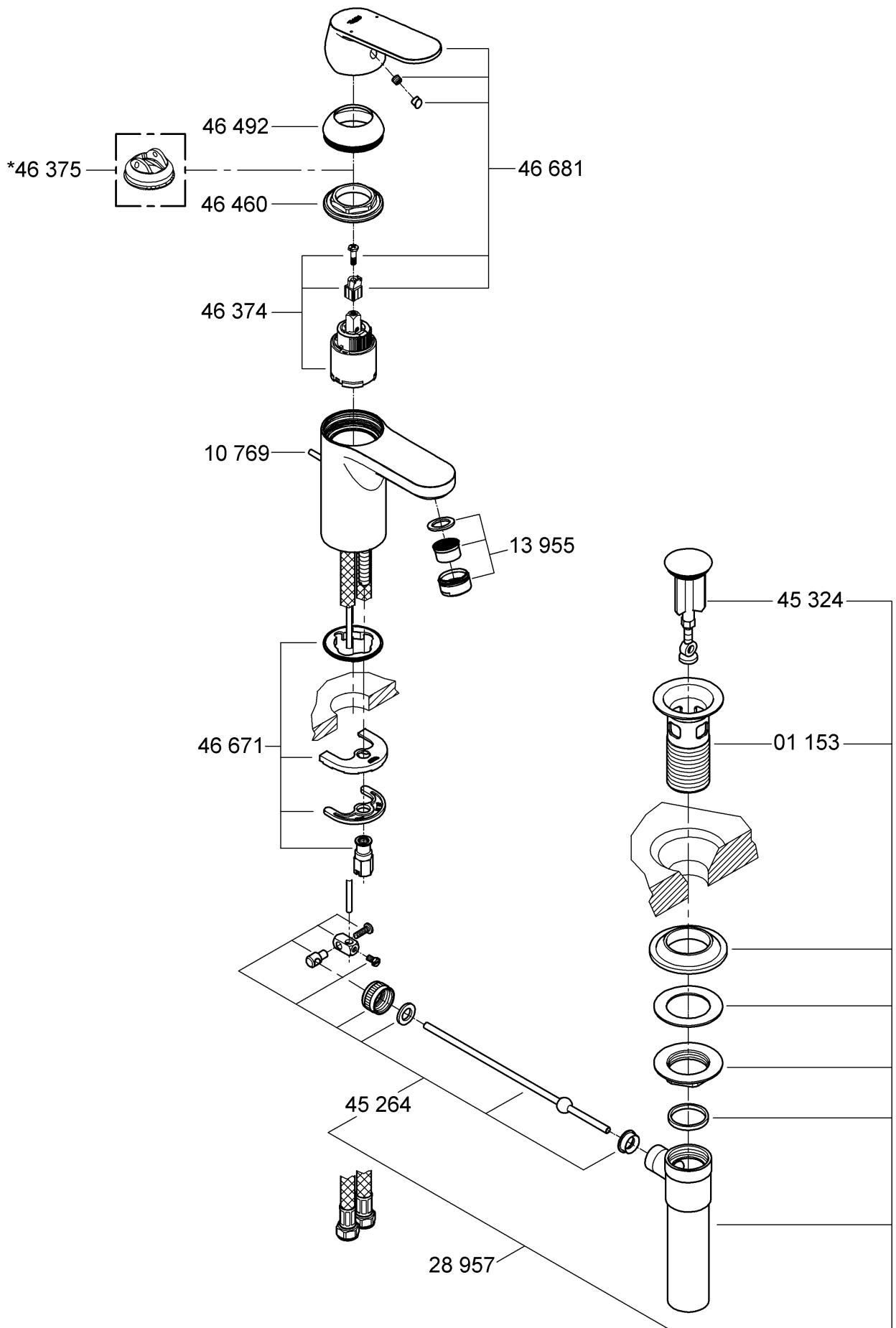
32 875



32 877



Please pass these instructions on to the end user of the fitting!
S.v.p remettre cette instruction à l'utilisateur de la robinetterie!
Entregue estas instrucciones al usuario final de la grifería!



English

Application

Operation is possible in conjunction with:

- Pressurized storage heaters

Operation is **not** possible with:

- Low-pressure storage heaters (displacement water heaters)

Specifications

- Max. flow
8.3 L/min or 2.2 gpm/60 psi
GROHE EcoJoy 5.7 L/min or 1.5 gpm/60 psi
- Flow pressure
- min. 7.25 psi
- recommended 14.5 - 72.5 psi
- greater than 72.5 psi, fit pressure reducing valve
- Max. operating pressure 145 psi
- Test pressure 232 psi
- Temperature
- max. (hot water inlet) 176 °F
Scalding protection possible by fitting a handle rotation stop (order no. 46 375).
- Water connection hot - LH
cold - RH
- Non reversible cartridge

Note

Major pressure differences between hot and cold water supply should be avoided.

Installation

Flush piping system prior and after installation of faucet thoroughly!

Mount faucet on basin

See dimensional drawing fold-out page I.

For installation, see fold-out page III, fig. [1].

Lift rod (A) must be inserted into the mixer body during installation.

Connect faucet

For this purpose the supply hoses must be connected to the angle stops (or other supply points), see figs. [1] and [2].

The hot water supply should be connected on the left, the cold water supply on the right side.

Avoid cross connection. The cartridge is not reversible.

Fit pop-up drain (28 957), see fold-out page II, ensure that flange of pop-up drain is sealed.

Open angle stops and check faucet for correct function, see fig. [3].

Lift lever	= open (water flow)
Press lever down	= closed (off)
Move lever to right	= cold water
Move lever to left	= hot water

Check connections for leakage.

Flow rate limiter

This mixer is fitted with a flow rate limiter, permitting an infinitely individual variable reduction in the flow rate. The highest possible flow rate is set by the factory before despatch.

The use of flow rate limiters in combination with hydraulic instantaneous water heaters is not recommended.

For commissioning see "replacing the cartridge" point 1 to 3, fig. [4] and [5].

Maintenance

Inspect and clean all parts, replace as necessary and grease with special grease.

Shut off the hot and cold water supply!

I. Replacing the cartridge, see fig. [4].

1. Lever out plug (B).
2. Remove set screw (C) using a 3mm socket wrench and pull off lever (D).
3. Pull off cap (E).
4. Turn out screwing (F) with key 32mm.
5. Change complete cartridge (G).

Assemble in reverse order.

Observe the correct installation position!

Make sure that the cartridge seals engage in the grooves and the locating pins at the base of the cartridge slot into the apertures on the housing.

Screw in and tighten screwing (F).

II. Flow control, see fold-out page II.

Unscrew and clean flow regulator (13 955).

Assemble in reverse order.

Replacement parts, see fold-out page II (* = special accessories).

Care

Instructions for care of this single lever faucet will be found in the Limited Warranty supplement.