



KNIGHT DHW PUMP RECOMMENDATION TABLE



Boiler	Tank SIT030			Tank SIT040			Tank SIT050			Tank SIT065			Tank SIT080			Tank SIT119		
	Flow Rate GPM	Head Loss Ft/Hd	Pump	Flow Rate GPM	Head Loss Ft/Hd	Pump	Flow Rate GPM	Head Loss Ft/Hd	Pump	Flow Rate GPM	Head Loss Ft/Hd	Pump	Flow Rate GPM	Head Loss Ft/Hd	Pump	Flow Rate GPM	Head Loss Ft/Hd	Pump
KBN081	5.0	11.36	PUM3020	5.0	11.41	PUM3020	5.0	11.46	PUM3020	5.0	11.61	PUM3020	5.0	11.61	PUM3020	5.0	11.73	PUM3020
KBN106	5.0	8.86	PUM3020	5.0	8.91	PUM3020	5.0	8.96	PUM3020	5.0	9.11	PUM3020	5.0	9.11	PUM3020	5.0	9.23	PUM3020
	8.0	18.91	PUM3020	8.0	19.04	PUM3020	8.0	19.18	PUM3020	8.0	19.57	PUM3020	8.0	19.57	PUM3020	8.0	19.87	PUM3020
KBN151	5.0	5.36	PUM3020	5.0	5.41	PUM3020	5.0	5.46	PUM3020	5.0	5.61	PUM3020	5.0	5.61	PUM3020	5.0	5.73	PUM3020
	8.0	10.11	PUM3020	8.0	10.24	PUM3020	8.0	10.38	PUM3020	8.0	10.77	PUM3020	8.0	10.77	PUM3020	8.0	11.07	PUM3020
	12.0	16.06	PUM3020	12.0	16.34	PUM3020	12.0	16.67	PUM3020	12.0	17.53	PUM3020	12.0	17.53	PUM3020	12.0	18.22	PUM3020
KBN211	8.0	7.91	PUM3020	8.0	8.04	PUM3020	8.0	8.18	PUM3020	8.0	8.57	PUM3020	8.0	8.57	PUM3020	8.0	8.87	PUM3020
	12.0	12.36	PUM3020	12.0	12.64	PUM3020	12.0	12.97	PUM3020	12.0	13.83	PUM3020	12.0	13.83	PUM3020	12.0	14.52	PUM3020
	16.0	23.66	ARM3045PBF	16.0	24.16	ARM3045PBF	16.0	24.74	ARM3045PBF	16.0	26.27	ARM3045PBF	16.0	26.27	ARM3045PBF	16.0	27.50	ARM3045PBF
KBN286	12.0	7.06	PUM3020	12.0	7.34	PUM3020	12.0	7.67	PUM3020	12.0	8.53	PUM3020	12.0	8.53	PUM3020	12.0	9.22	PUM3020
	16.0	12.16	PUM3020	16.0	12.66	PUM3020	16.0	13.24	PUM3020	16.0	14.77	PUM3020	16.0	14.77	PUM3020	16.0	16.00	PUM3020
	20.0	16.71	PUM30001	20.0	17.49	PUM30001	20.0	18.40	PUM30001	20.0	20.80	PUM30001	20.0	20.80	PUM30001	20.0	22.71	PUM30001

For Knight Fire Tube boilers (WHN055-399), use PUM3020 for all models from 5 to 20 GPM flow rates.

Notes:

- The chart includes recommended Gallon Per Minute flow rate, calculated Head Loss and recommended Pump.
- The GPM, Ft/Hd and Pump selection is based on the boiler and the tank coil connected with maximum 20 feet of straight pipe, 4 - 90° elbows and 2 - full port ball valves.
- See the Installation and Operation manual for more details including pipe diameters and piping diagrams.
- Squire Indirect Storage tanks are for residential use only. Do not install Squire tanks in commercial applications with Knight XL or SYNC boilers.



**PUMP
Recommendation**

PUMP-DHW-KBN081-286 RevA

**DHW PUMP RECOMMENDATION FOR
KNIGHT 081-286 BOILER**

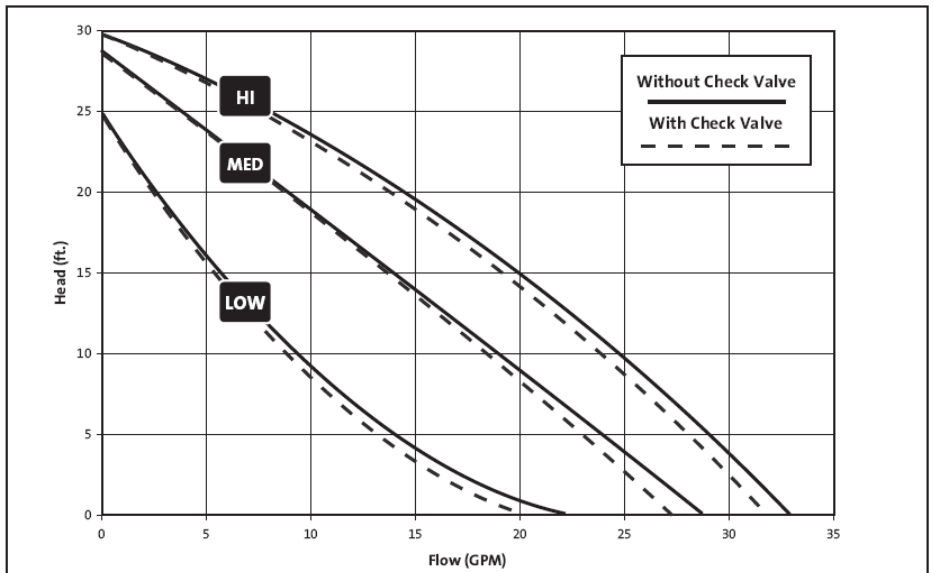
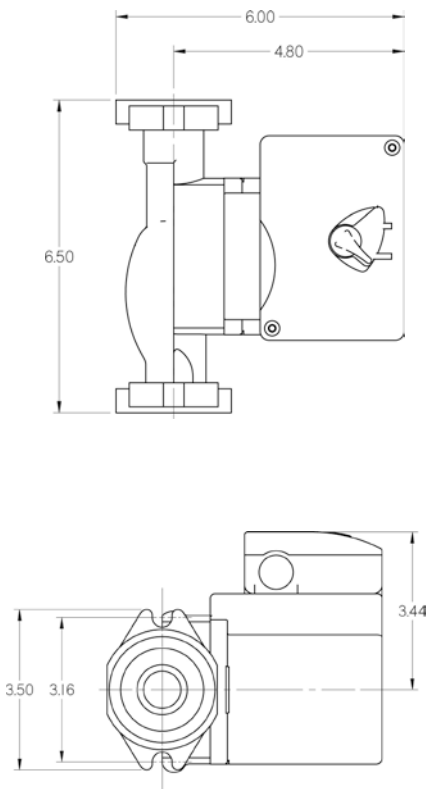
Pump Specifications

Part No.	HorsePower	Flanges	Valute Material	Flange Material	Vendor	Vendor Product Series	Orientation
PUM3020	1/6	1"	Cast Iron	Cast Iron	Grundfos	UP Series	Vertical

Installation Specifications

Specific Model Number	Maximum Flow Rate	Planned Temperature Rise	Planned Flow Rate	Total System Head Loss
	N/A			

IMPORTANT: Read the Knight 81-286 Installation and Operation Manual. If the planned system exceeds the pump capacity in flow and/or head see "Pump Curves-All Pumps" for alternate pumps and pump curves.



Lochinvar, LLC • 300 Maddox Simpson Pkwy • Lebanon, TN 37090 • 615-889-8900/Fax: 615-547-1000
www.Lochinvar.com



Lochinvar[®]
High Efficiency Water Heaters, Boilers and Pool Heaters

**PUMP
Recommendation**

PUMP-DHW-KBN081-286 RevA

**DHW PUMP RECOMMENDATION FOR
KNIGHT 211 BOILER**

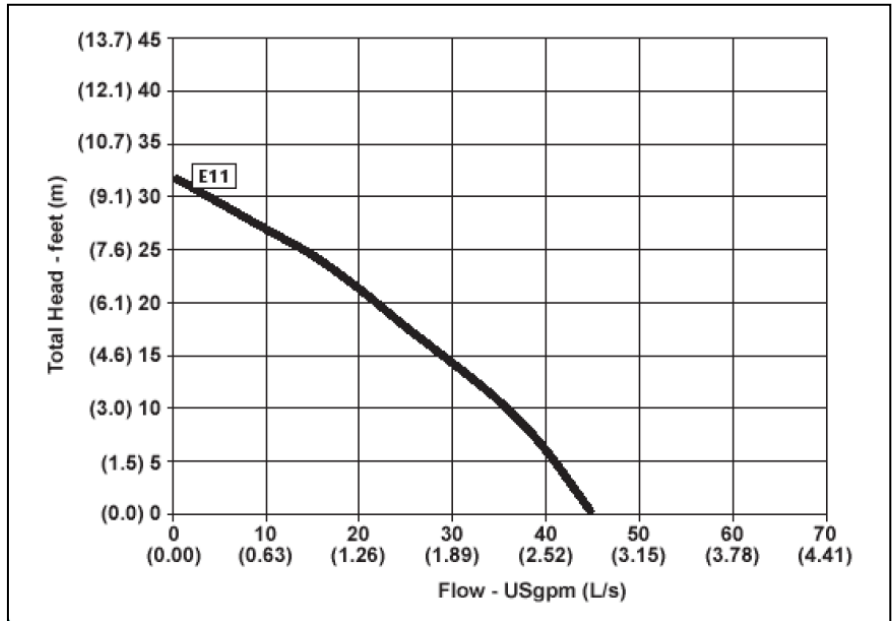
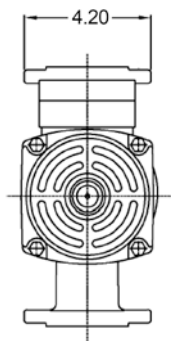
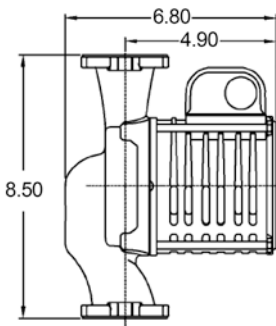
Pump Specifications

Part No.	HorsePower	Flanges	Valute Material	Flange Material	Vendor	Vendor Product Series	Orientation
ARM3045PBF	1/6	1-1/2"	Cast Iron	Cast Iron	Armstrong	E Series	Vertical

Installation Specifications

Specific Model Number	Maximum Flow Rate	Planned Temperature Rise	Planned Flow Rate	Total System Head Loss

IMPORTANT: Read the Knight 81-286 Installation and Operation Manual. If the planned system exceeds the pump capacity in flow and/or head see "Pump Curves-All Pumps" for alternate pumps and pump curves.



Lochinvar[®]
High Efficiency Water Heaters, Boilers and Pool Heaters

Lochinvar, LLC • 300 Maddox Simpson Pkwy • Lebanon, TN 37090 • 615-889-8900/Fax: 615-547-1000
www.Lochinvar.com



**PUMP
Recommendation**

PUMP-DHW-KBN081-286 RevA

**DHW PUMP RECOMMENDATION FOR
Knight 286 BOILER**

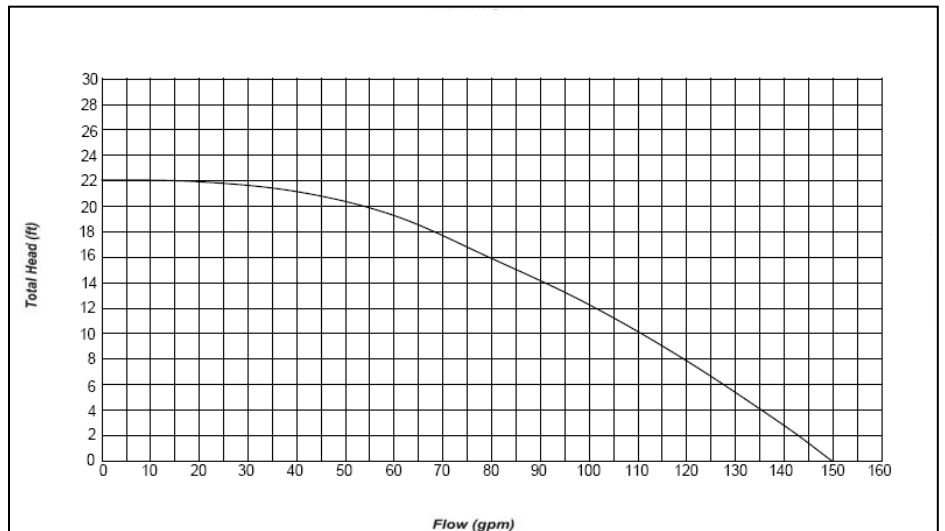
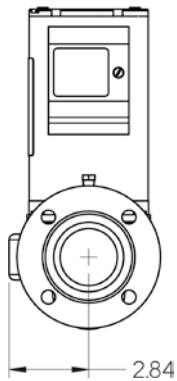
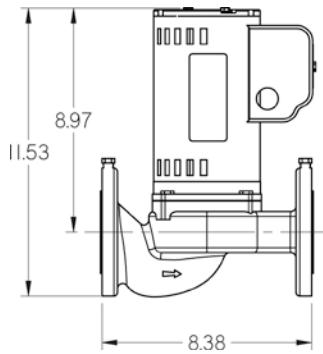
Pump Specifications

Part No.	HorsePower	Flanges	Valute Material	Flange Material	Vendor	Vendor Product Series	Orientation
PUM30001	1/2	2"	Cast Iron	Cast Iron	TACO	1400-70	Horizontal

Installation Specifications

Specific Model Number	Maximum Flow Rate	Planned Temperature Rise	Planned Flow Rate	Total System Head Loss
	N/A			

IMPORTANT: Read the Knight 081-286 Installation and Operation Manual. If the planned system exceeds the pump capacity in flow and/or head see "Pump Curves-All Pumps" for alternate pumps and pump curves.



Lochinvar, LLC • 300 Maddox Simpson Pkwy • Lebanon, TN 37090 • 615-889-8900/Fax: 615-547-1000
www.Lochinvar.com