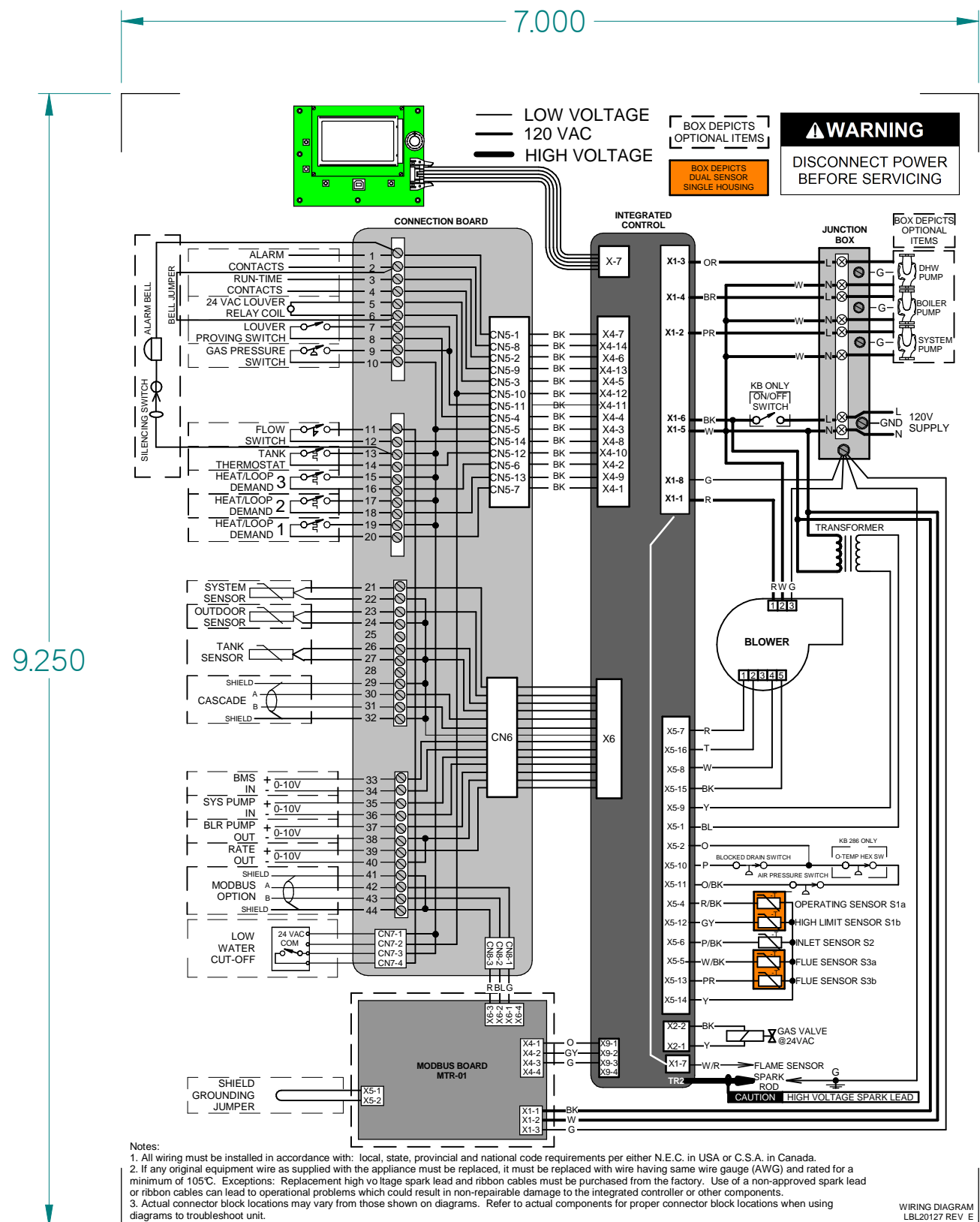


- NOTES
- MATERIAL: WHITE PAPER WITH LAMINATION AND PRESSURE SENSITIVE ADHESIVE.
 - PRINTING: BLACK.



Notes:

- All wiring must be installed in accordance with: local, state, provincial and national code requirements per either N.E.C. in USA or C.S.A. in Canada.
- If any original equipment wire as supplied with the appliance must be replaced, it must be replaced with wire having same wire gauge (AWG) and rated for a minimum of 105°C. Exceptions: Replacement high voltage spark lead and ribbon cables must be purchased from the factory. Use of a non-approved spark lead or ribbon cables can lead to operational problems which could result in non-repairable damage to the integrated controller or other components.
- Actual connector block locations may vary from those shown on diagrams. Refer to actual components for proper connector block locations when using diagrams to troubleshoot unit.

WIRING DIAGRAM
LBL20127 REV. E

| REV | DESCRIPTION | ECO | DATE | APR |
|-----|--|--------|----------|-----|
| A | INITIAL RELEASE | C05525 | 4/14/10 | DW |
| B | REVISE WIRING FOR BLOCKED DRAIN AND PRESSURE SWITCHES, WIRE 13 WAS 14 IN ALARM BELL CIRCUIT | C06158 | 7/28/10 | JM |
| C | ADD O-TEMP HEX SW TO INTEGRATED CONTROL X5-10 AND CONNECTION BOARD 15-20, CHANGE TO HEAT/LOOP DEMAND | C07067 | 9/22/10 | JM |
| D | REVISE PER LOW VOLTAGE BOARD | C08938 | 10/5/11 | EC |
| E | VOLTAGE WAS VOL TAGE | C09130 | 10/26/11 | ERC |

| | |
|------------------------|------------------|
| Drawn by: MV | Date: 2/4/10 |
| Checked By: MC | Date: 4/14/10 |
| Approved By: DW | Date: 4/14/10 |
| Blank | |
| Material | |
| THIRD ANGLE PROJECTION | |

UNLESS OTHERWISE SPECIFIED
DIMENSIONS ARE IN INCHES
FINISH IN MICROINCHES

DECIMAL
.X ± .125
.XX ± .060
.XXX ± .031

ANGULAR
± 1°

FINISH: ⁶³/_√

DEBURR AND BREAK
ALL SHARP EDGES .005 MAX
DO NOT SCALE THIS DRAWING

Lochinvar, LLC
300 Maddox Simpson Parkway
Lebanon, TN 37090
TEL 615-889-8900 FAX 615-547-1000
www.lochinvar.com
HIGH EFFICIENCY WATER HEATERS AND BOILERS

Title: LABEL, WIRING DIAGRAM
Model: KB 81-286 / WB 51-211
Dwg No.: LBL20127
REV: E

SIZE: B NOT TO SCALE SHEET 1 OF 1

CONFIDENTIAL
THIS DRAWING IS THE PROPERTY OF LOCHINVAR CORPORATION
AND CAN NOT BE ALTERED, REPRODUCED OR DISTRIBUTED
WITHOUT WRITTEN PERMISSION

