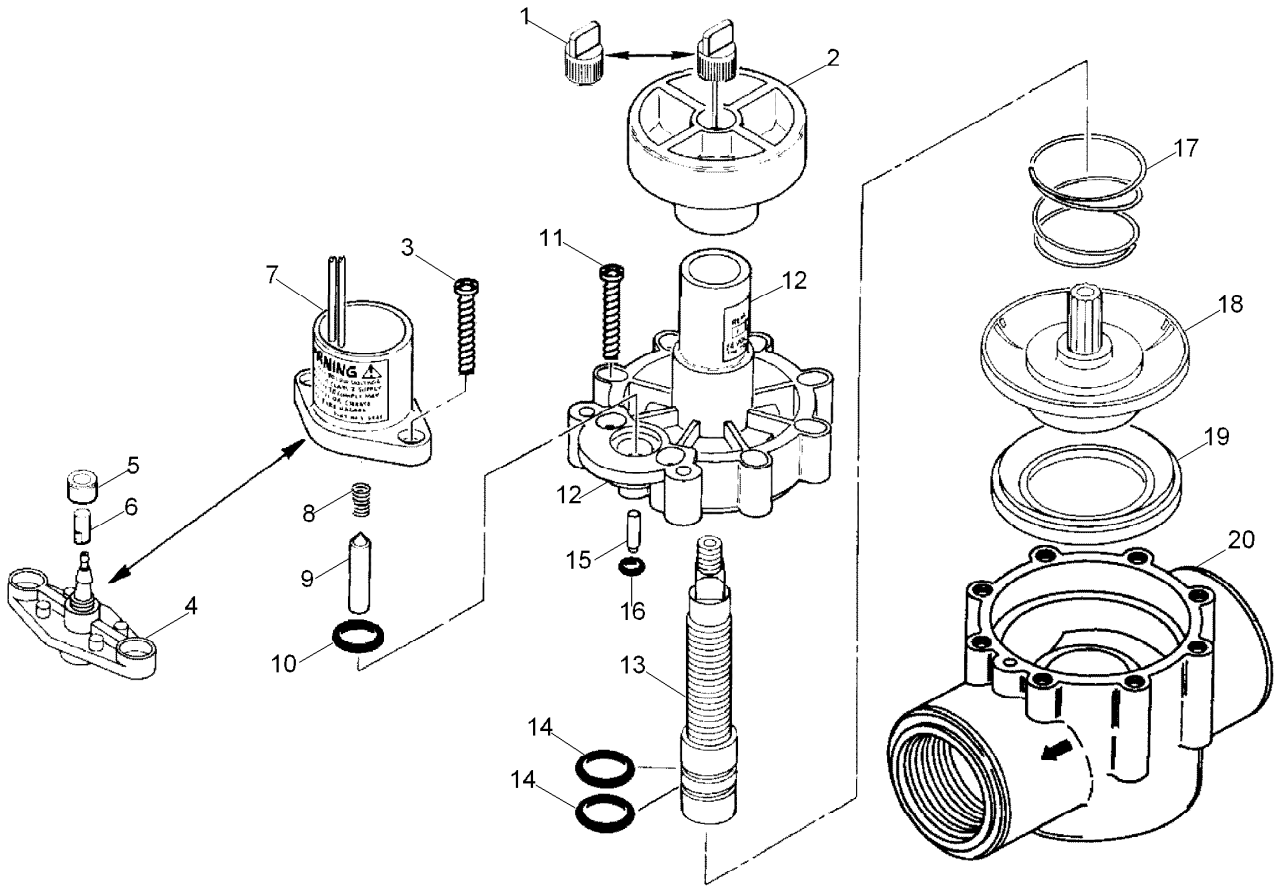


# 250 Series, 1 Inch Valve



## 250 Series, 1 Inch Valve (continued)

<i>Ref.</i>	<i>Part Number</i>	<i>Qty.</i>	<i>Description</i>	<i>Ref.</i>	<i>Part Number</i>	<i>Qty.</i>	<i>Description</i>
1	35-4521	1	Bleed Cap ASM, W/ Pin, El, Fast Closing	17	9-4425	1	Spring, Diaphragm, Pt
1	35-1748	1	Bleed Cap ASM, W/O Pin, No And Pt	17	9-7110	1	Spring, Diaphragm, El And No
1	89-7855	1	Bleed Cap ASM, W/O Pin, No And Pt, Effluent	18	35-2943	1	Diaphragm Assy., 1", No Hyd
2	35-3777	1	Knob, Handle, Cross	18	35-2824	1	Diaphragm ASM, 1", El
3	363-1493	2	Screw, #10 X 1	18	35-3655	1	Diaphragm Assy., 1", Pt
4	35-3776	1	Adapter Assy., No	19	9-6331	1	Support, Diaphragm
5	900-40	1	Retainer, Tube, Pr And Cr □	20		1	Body Assy., In-Line Globe, Npt ▲
6	89-8157	1	Cap, 1/4", Poly, No	20	35-1970	1	Body Assy., In-Line Globe, Bsp
7		1	Solenoid Assy., El (See Service Item 89-0878) ▲		89-0878		Solenoid And Plunger Assy., El (Includes Items 7-9) ●■
8	9-6148	1	Spring-Plunger, Solenoid, El		35-3503		Diaphragm ASM, El, Service Kit ◆■
9	9-6527	1	Plunger Assy., El				Screen, Filter, 3/4" (Use With 35-3503 Diaphragm Assy) ●■▲
10	2-9652	1	O-Ring, 7/16" X 5/8", No (As568-111)		9-6548		Plug, Communication, Diaphragm (Use With 35-3655 Diaphragm Assy., Pt) ●■
11	363-1493	8	Screw, #10 X 1				Cap, Valve, W/Fc, El (Includes Items 12-14) ●■
12		1	Cap Assy., El (See Service Item 9-8182) ▲		35-0767		Cap Assy., No Nd Pt (Includes Items 12-14) ●■
12		1	Cap Assy., No & Pt (See Service Item 35-0767) ▲		35-9346		Bleed Cap ASM, W/Pin, Slow-Closing ●■
13	35-1983	1	Stem-Flow Control				
14	360-0220	2	O-Ring (0.070 X 0.551 X 0.691) (As568-015)				
15	3-2016	1	Shaft, Idler, Lower, No And Pt				
16	1-2035	1	O-Ring, El, Pr And Cr (0.070" X 0.114" X 0.254") (As568-006)				

● SERVICE ITEMS

▲ Not serviced separately

□ Order Through Finished Goods Distribution System - Minneapolis

■ Not illustrated

◆ (See Service Items: Nozzle/Stator Assy.)