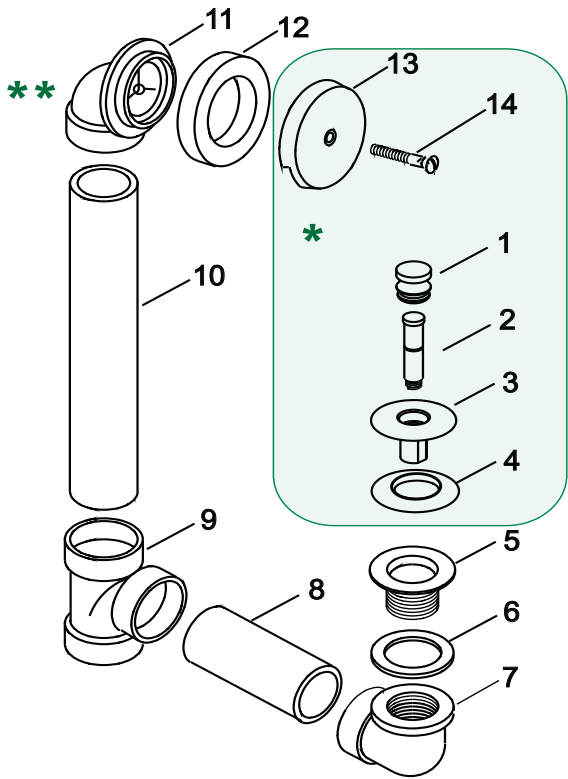


600/601 Series Parts List



| Item | Part # | Description |
|------|---------|----------------------------------------|
| 1 | 01010CP | PUSH PULL® Knob, Brass |
| 2 | 11584 | Friction Ring (11505) and Post (11532) |
| 3 | 01013CP | Stopper, Brass |
| 4 | 11507 | Seal, 1 1/16" dia. |
| 5 | 01016CP | Strainer Body, 1.865" - 11.5 |
| 6 | 10696 | Drain Ell Washer, 1.5" gray |
| 7 | 11008 | Drain Ell, Schedule 40, ABS |
| | 14008 | Drain Ell, Schedule 40, PVC |
| 8 | 11605 | Pipe, Schedule 40, ABS, 1.5" x 4.625" |
| | 11606 | Pipe, Schedule 40, PVC, 1.5" x 4.625" |
| 9 | 14011 | Sanitary Tee, Schedule 40, ABS |
| | 14010 | Sanitary Tee, Schedule 40, PVC |
| 10 | 11605 | Pipe, Schedule 40 ABS, 1.5" x 11.75" |
| | 11606 | Pipe, Schedule 40 PVC, 1.5" x 11.75" |
| 11 | 11009 | Overflow Ell, 1-Hole, Schedule 40, ABS |
| | 14009 | Overflow Ell, 1-Hole, Schedule 40, PVC |
| 12 | 10675 | Overflow Ell Washer, Foam |
| 13 | 01002CP | Overflow Plate, 1-Hole |
| | 01003CP | Overflow Plate, 2-Hole |
| 14 | 01024CP | Overflow Plate Screw, 2.25" |

Half Kits consist of parts 1-7 and 11-14.

*** SF: (example: 600-PPSF) Parts #1 thru #4, #13 and #14**

**** RI: (example: 600-PPRI) Parts #5 thru #12**

OPTIONAL TUB CLOSURES FOR 600/601-SERIES BATH WASTES (PUSH PULL® ALSO SHOWN ABOVE)

PUSH PULL®
Coarse Thread

| | |
|----|---------|
| 1. | 01010CP |
| | 01010_* |
| 2. | 11584 |
| 3. | 01013CP |
| | 01013_* |
| 4. | 11507 |
| 5. | 01016CP |
| | 01016_* |

LIFT & TURN
Coarse Thread

| | |
|----|---------|
| 1. | 01010CP |
| | 01010_* |
| 2. | 11079 |
| 3. | 11088 |
| 4. | 11290CP |
| | 01013_* |
| 5. | 11507 |
| 6. | 11492CP |
| | 01016_* |

PRESFLO®
Coarse Thread

| | |
|----|----------------------------------------|
| 1. | 11145CP |
| | 11145_* |
| 2. | 11132 |
| 3. | 11060CP |
| | 11060_* |
| 4. | 96039: |
| | Suction Cup for removing stopper |

FOOT ACTUATED
Coarse Thread

| | |
|----|----------|
| 1. | 38412-CP |
| | 38412-_* |
| 2. | 11492-CP |
| | 01016-_* |

*If finish other than Chrome is desired, please use this part number and indicate desired finish.

Finishes Available in the 600/601 Series:

Rough-In Dimensions

621 PUSH PULL®

- 11309CP
- 11584
- 11290CP
- 11507
- 01016CP

651 PUSH PULL®

- 11309CP
- 11584
- 11290CP
- 11507
- 11492CP

| Tub Closures: | PUSH PULL® | LIFT & TURN | PRESFLO® | FOOT ACT. |
|-----------------------|------------|-------------|----------|-----------|
| CP- Chrome Plated | • | • | • | • |
| AP- Aged Pewter | • | • | • | • |
| BB- Brushed Bronze | • | • | • | • |
| BN- Brushed Nickel | • | • | • | • |
| BO- Bone | • | • | • | • |
| BS- Biscuit | • | • | • | • |
| BZ- Oil-Rubbed Bronze | • | • | • | • |
| CB- Chrome Brushed | • | • | • | • |
| NP- Nickel Polished | • | • | • | • |
| PB- Polished Brass | • | • | • | • |
| WH- White | • | • | • | • |
| WI- Wrought Iron | • | • | • | • |

