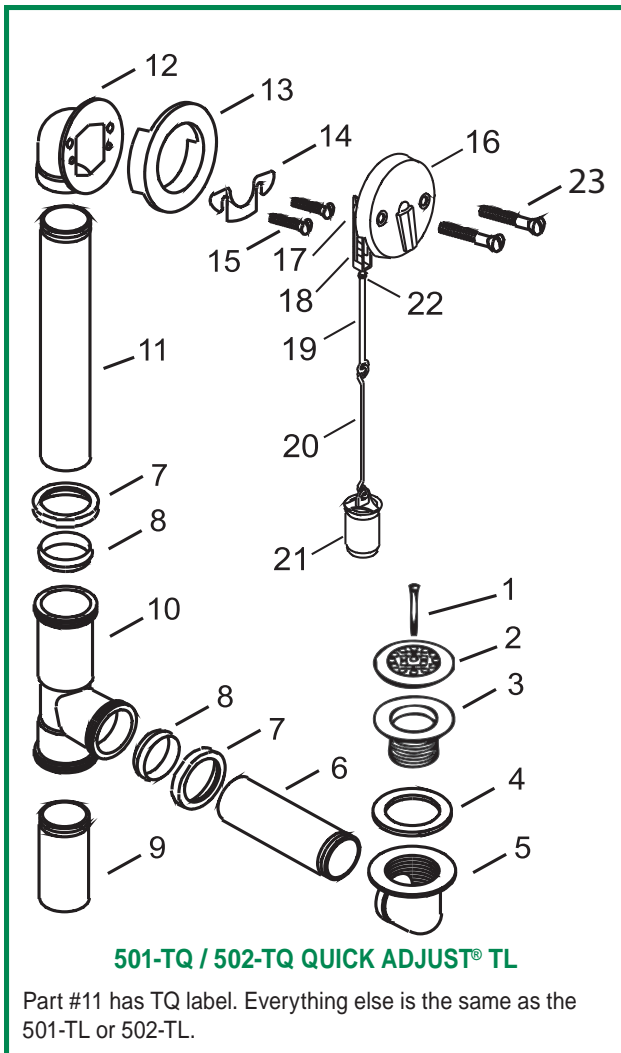
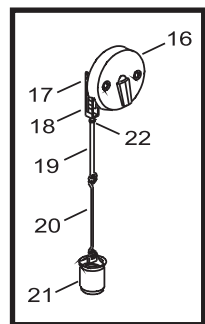


501-TL/502-TL & TQ and 551/552-TL Series Parts List

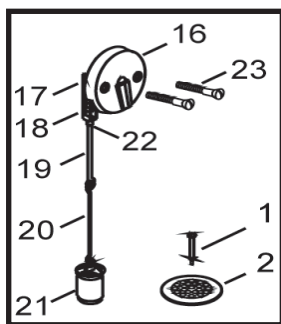


Item	Part #	Description
1.	01040__*Strainer Cover Plate Screw
2.	01006__*Strainer Cover Plate
3.	11495CPStrainer Body, 1 1/2" - 11.5
4.	10696Drain Ell Washer
5.	44006Brass Drain Ell, 1 1/2" - 11.5
6.	17GA-4.75Drain Ell Tube, 17g brass, 4.75"
	20GA-4.75Drain Ell Tube, 20g brass, 4.75"
		For 551-TL: 17GA-9.625.....Drain Ell Tube, 9.625"
		For 552-TL: 20GA-9.625.....Drain Ell Tube, 9.625"
7.	41580Brass Slip Nut
8.	11583Slip Joint Polywasher
9.	17GA-3.5Tail Piece, 17g brass, 3.5"
	20GA-3.5Tail Piece, 20g brass, 3.5"
10.	44001Brass Tee
11.	17GA-9.625Overflow Ell Tube, 17g brass, 9.625"
	20GA-9.625Overflow Ell Tube, 20g brass, 9.625"
		For 551-TL: 17GA-18.12.....Drain Ell Tube, 18.125"
		For 552-TL: 20GA-18.12.....Drain Ell Tube, 18.125"
12.	44003Overflow Ell, Brass
13.	40675Overflow Ell Washer for Brass
14.	11530Retainer Plate
15.	41540Retainer Plate Screw
16.	10700__*TL Faceplate Assembly
17.	10930Cotter Pin
18.	10950QUICK ADJUST "Q" Clevis
19.	10953Top Linkage Eye Bolt
20.	109545.25" Double-Loop Wire
21.	41005Brass Drop Cylinder for Brass
22.	10952TL Linkage Nut
23.	01024__*Screw, Overflow Plate, 2.25"

* Please indicate finish desired.



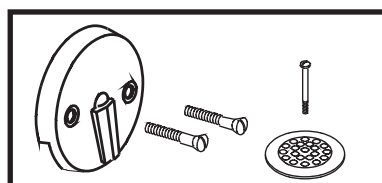
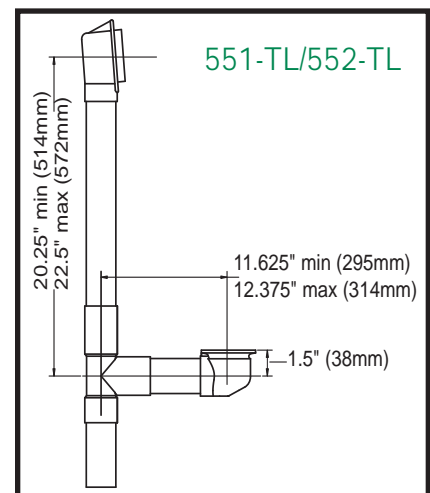
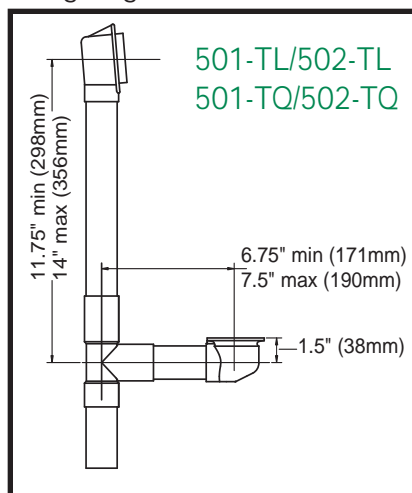
10770-BRS*-
Trip Lever faceplate assembly replacement for brass trip lever bath wastes.



38770-BRS*-
TL faceplate assembly (TQ clevis) with screws, TL linkage parts, 5.25" double-loop wire, drop cylinder, and strainer cover plate and screw.

*Also available for PVC and ABS plastic.

Roughing-In Dimensions:



38702-__*

Trim only for Trip Lever or SLIP LOCK drains, plus one #10930 cotter pin.

*Indicate desired finish.