

# Trim Kits

## QuickTrim™ Kits

### SPECIFICATIONS

#### FEATURES AND BENEFITS:

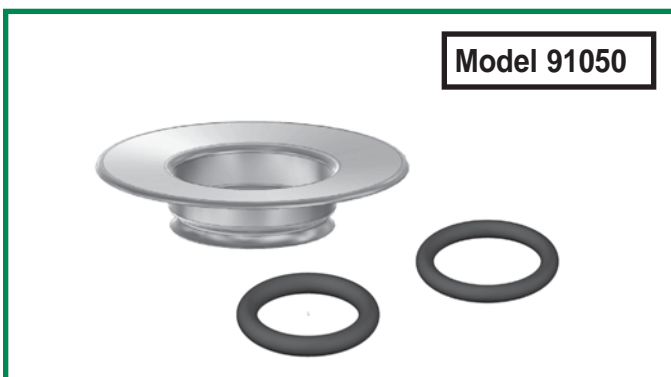
- No tools needed!
- Install chrome on the rough-in and easily upgrade to a special finish without removing the strainer body.
- Quickly and easily replace a damaged strainer body.
- Looks just as good as the original strainer body.
- Cover is thinner than a standard strainer body (.03") and will not create a water dam.
- The o-ring seal is all that is required; no silicone, plumber's putty, or epoxy is needed.
- Eliminates destroying the integrity of your test when removing a strainer body.
- Eliminates the labor required to remove and replace the strainer body.
- Eliminates the possibility of cross-threading or damaging the tub or of the drain fitting moving out of line when replacing the strainer body.

#### PATENTS:

- U.S. Patent No. 4,720,877; 5,758,368; 7,503,083 B2; Patents Pending



Model 939290  
Model 959290



Model 91050

In order to take advantage of the full "total installed cost" benefits of Watco **QuickTrim™** Kits, we recommend the following:

1. Purchase and install chrome Rough-In (RI) kits on all initial installations.
2. Purchase chrome Stopper/Faceplate (SF) kits for all chrome trim finishes.
3. Purchase kits for all special finish upgrades.
4. Purchase chrome **QuickTrim™** strainer body covers for repair of chrome strainer bodies that have been damaged during rough-in.

#### Finishes Available in the **QuickTrim™** Series:

Tub Closures:	PUSH PULL®	LIFT & TURN	PRESFLO®	FOOT ACT.
CP - Chrome Plated	•	•		•
AB - Antique Brass	•	•		
AP - Aged Pewter	•	•		
BB - Brushed Bronze	•	•		
BN - Brushed Nickel	•	•		•
BO - Bone	•	•		
BS - Biscuit	•	•		
BZ - Oil-Rubbed Bronze	•	•		•
CB - Chrome Brushed	•	•		
NP - Nickel Polished	•	•		•
PB - Polished Brass	•	•		•
PN - Pearl Nickel	•	•		
WH - White	•	•		
WI - Wrought Iron	•	•		



For More Information Contact:  
**WATCO Manufacturing Company**  
 1220 South Powell Road  
 Independence, MO 64057-2724  
 Ph. 816-796-3900 • FAX 816-796-0875  
[www.watcomfg.com](http://www.watcomfg.com)