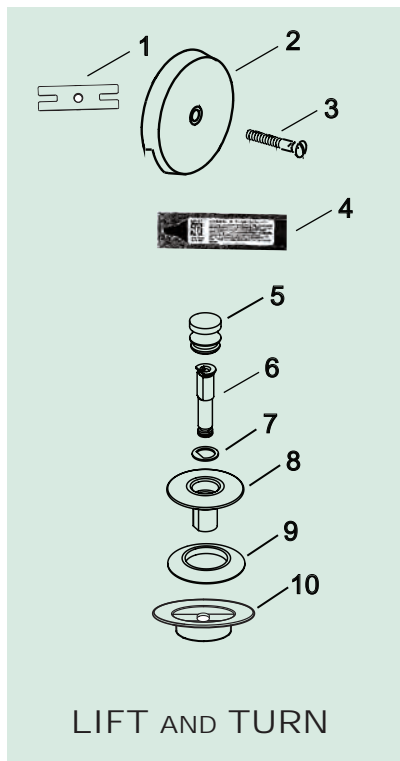


# NuFIT® Series Parts Lists



LIFT AND TURN

## #48400 NuFIT® – LT TRIM KIT

1. 11641 ..... Adapter Bar
2. 01002\_\_\_ 1-Hole Overflow Plate
3. 01024\_\_\_ Overflow Plate Screw, 2.25"
4. 96057 ..... Silicone Pouch, new style
5. 01010\_\_\_ Knob, Brass
6. 11078 ..... L&T "D" Pin for NuFit®
7. 11088 ..... L&T "D" Ring
8. 01046\_\_\_ PP Stopper, Brass (short)
9. 11507 ..... PP Seal, 1-1/6" dia.
10. 01044\_\_\_ NuFit LT Strainer Body

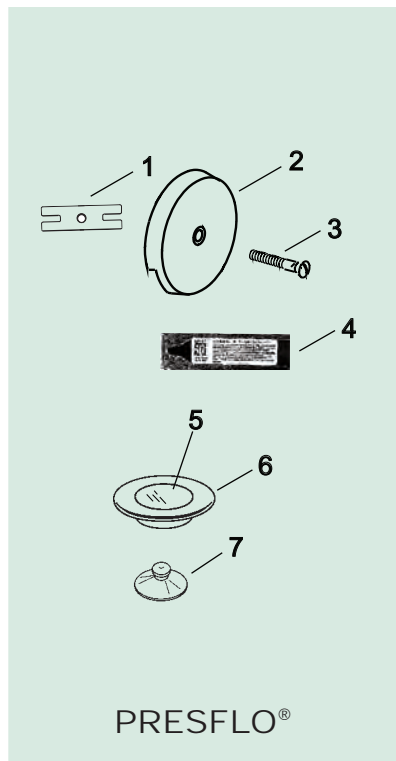
Requires minimum 1.390" I.D. opening  
Flange covers maximum of 2.875" O.D.  
Depth clearance needed = .390"

## #48300 NuFIT® – LT TUB CLOSURE

4. 96057 ..... Silicone Pouch, new style
5. 01010\_\_\_ Knob, Brass
6. 11078 ..... L&T "D" Pin for NuFit®
7. 11088 ..... L&T "D" Ring
8. 01046\_\_\_ PP Stopper, Brass (short)
9. 11507 ..... PP Seal, 1-1/6" dia.
10. 01044\_\_\_ NuFit LT Strainer Body

### LIFT AND TURN FINISHES

CP - Chrome Plated  
 BN - Brushed Nickel  
 BZ - Oil-Rubbed Bronze  
 CB - Chrome Brushed  
 PB - Polished Brass



PRESFLO®

## #48100 NuFIT® – PF TRIM KIT

1. 11641 ..... Adapter Bar
2. 01002\_\_\_ 1-Hole Overflow Plate
3. 01024\_\_\_ Overflow Plate Screw, 2.25"
4. 96057 ..... Silicone Pouch, new style
5. 11155\_\_\_ PF Stopper, FT, Plastic
6. 01042\_\_\_ PF NuFit Strainer Body
7. 96039 ..... PF Suction Cup, 1.5"

Requires minimum 1.490" I.D. opening  
Flange covers maximum of 2.875" O.D.  
Depth clearance needed = .850"

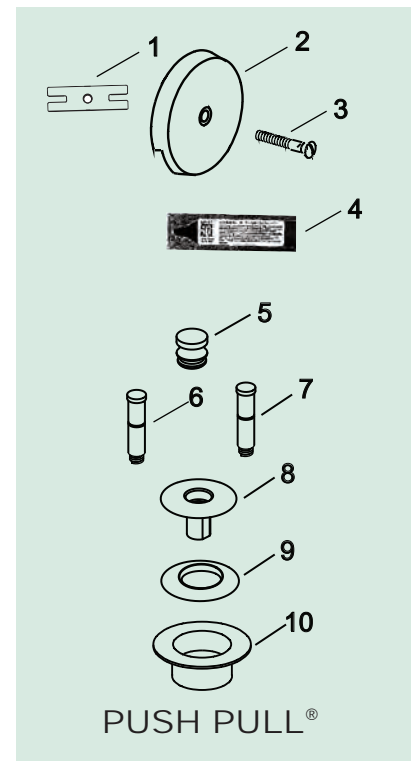
ADA

## #48200 NuFIT® – PF TUB CLOSURE

4. 96057 ..... Silicone Pouch, new style
5. 11155\_\_\_ PF Stopper, FT, Plastic
6. 01042\_\_\_ PF NuFit Strainer Body
7. 96039 ..... PF Suction Cup, 1.5"

### PRESFLO® FINISHES

CP - Chrome Plated      PB - Polished Brass  
 AP - Aged Pewter      PN - Pearl Nickel  
 BN - Brushed Nickel      WI - Wrought Iron  
 BZ - Oil-Rubbed Bronze  
 CB - Chrome Brushed



PUSH PULL®

## #48500 NuFIT® – PP TRIM KIT

1. 11641 ..... Adapter Bar
2. 01002\_\_\_ 1-Hole Overflow Plate
3. 01024\_\_\_ Overflow Plate Screw, 2.25"
4. 96057 ..... Silicone Pouch, new style
5. 01010\_\_\_ Knob, Brass
6. 11532 3/8 Pin with 11505 Friction Ring
7. 11536 5/16 Pin with 11505 Friction Ring
8. 01013\_\_\_ PP Stopper, Brass
9. 11507 ..... PP Seal, 1-1/6" dia.
10. 01043\_\_\_ NuFit® Strainer Body

Requires minimum 1.410" I.D. opening  
Flange covers maximum of 2.875" O.D.  
Depth clearance needed = .860"

## #48600 NuFIT® – PP TUB CLOSURE

4. 96057 ..... Silicone Pouch, new style
5. 01010\_\_\_ Knob, Brass
6. 11532 3/8 Pin with 11505 Friction Ring
7. 11536 5/16 Pin with 11505 Friction Ring
8. 01013\_\_\_ PP Stopper, Brass
9. 11507 ..... PP Seal, 1-1/6" dia.
10. 01043\_\_\_ NuFit® Strainer Body

### PUSH PULL® FINISHES

CP - Chrome Plated      PB - Polished Brass  
 BN - Brushed Nickel      PN - Pearl Nickel  
 BS - Biscuit      WH - White  
 BZ - Oil-Rubbed Bronze